



C-2000™ Push Buttons



The beauty of simplicity

*Simple in design. Beautiful in appearance.
Simply beautiful in action.*

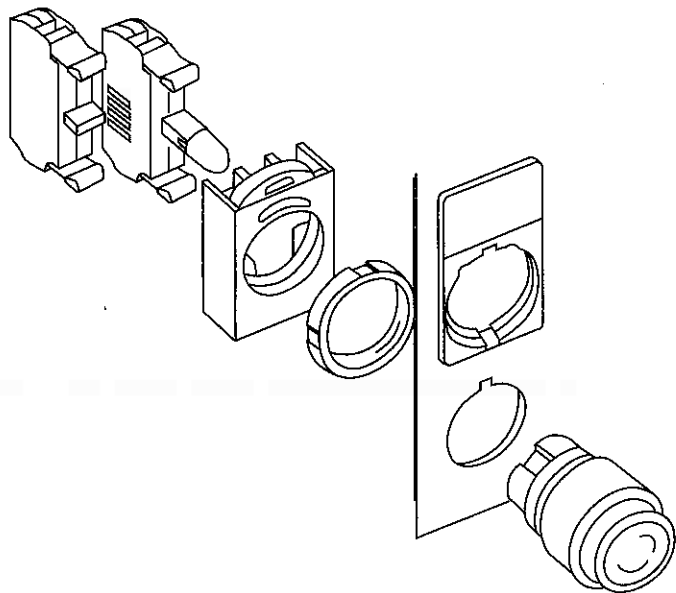
IT JUST DOESN'T GET ANY EASIER

With C-2000 push buttons, you gain speed and simplicity all across the line. Seemingly small details add up to big differences — in assembly, disassembly and mounting.

All operators, flanges and terminal blocks snap together, simply and precisely, without tools. You can wire terminals off the operator and simply snap the block on when you're done. Disassembly is just as easy. Lift the tab on the terminal block with a small screwdriver and the block comes off easily and intact.

A removable orientation tab on the operator allows you to mount in panels with either round or notched holes. The patented locking rings accept either a specially designed wrench or, if you prefer, an ordinary flat-bladed screwdriver — and the rear-mounted, back-tightened design discourages tampering.

Assembly, installation, maintenance — they just don't get any easier than this.



C-2000 push buttons snap together surely and simply. Operators come with a flange that snaps on, yet provides four-point positive retention. Contact blocks and power supplies snap just as easily onto the flange.

SUPERIOR PERFORMANCE IS BUILT IN TO EVERY COMPONENT

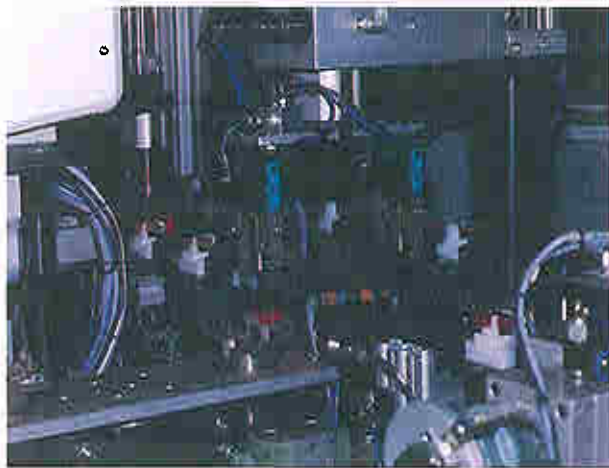
Start with a design that accounts fully for both user requirements and manufacturing processes. Make a serious investment in cutting-edge automation and top-grade production personnel. Build in 100% testing.

It's a formula for high performance and long life. It's *the* formula for C-2000 push buttons.

- Exceptional electrical endurance comes from unique double-bridge sliding contacts. They perform in applications from 12V AC/DC to 600V AC/300V DC; their wiping action makes application in low voltage systems possible.
- Exceptional mechanical endurance comes from operators also built to hold up longer than you'd expect. With these, expect 3,000,000 operations for momentary push buttons and proportionately high figures for illuminated operators, selector switches and special devices.
- Ultrasonic welding minimizes contact contamination. You'll get better performance, longer, even in the dustiest environments.
- Laser etched markings are permanent. Where printed markings may fade with time and become hard to read, these will remain clear and legible.



Unique double-bridge sliding contacts provide superior fidelity — time after time — even in low voltage applications.



Because they are built with the same kind of advanced equipment for which they are designed, C-2000 push buttons offer you the performance, features and 100% quality testing such automated processes allow.



THE SIMPLICITY OF BEAUTY



As easy on the hand as they are on the eye, C-2000 push buttons offer a remarkably easy touch even as they enhance the appearance of panels on which they are installed.

C-2000 push buttons look good and feel right. That's the mark of good design. It comes from the mind of Rodolfo Bonetto, whose award-winning industrial design, which has graced everything from sophisticated machine tools to Ferrari dashboards, now comes alive in the simplest of all push buttons.

Form follows function. It's an ideal realized here in uncompromising materials and through high-tech craftsmanship. The distinctive European look that results adds class to any panel, while the well thought-out ergonomics add certainty and comfort.



WORLD-CLASS PUSH BUTTONS, WORLD-WIDE AVAILABILITY

C-2000 push buttons are truly a global device. Around the world, their catalog numbers follow the same logical nomenclature that simplifies identification and specification. Around the world, they're readily available. Around the world, they meet the standards.



Standards

UL 508 (USA)	CSA C22.2 No. 14-M91 (Canada)	NEMA ICS-2 (USA)	IEC 947.5.1 (Global)
VDE 0660 (Germany)	UTE (France)	BSI (Great Britain)	NFC 63140 (France)
CEI EN60947.5.1 (Italy)	JIS (Japan)	CENELEC EN 5000 7 (Europe)	

Approvals

UL Listed - File Number E66677	CSA Certified - File Number 16661-63	Manufacturing facility registered to ISO 9000
---------------------------------------	---	--

Enclosure ratings

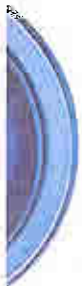
Suitable for use in **NEMA Types 1, 3, 3R, 3S, 4, 4X, 12 & 13** enclosures. (Multi-function push buttons suitable for NEMA Type 1 enclosures only unless used with protective rubber cap.) **IP66** per IEC 529, when mounted in enclosures with equal or superior seal.

IT'S EASY TO GET EXACTLY WHAT YOU WANT

Who says you can't always get what you want? C-2000 push buttons include four distinct operator styles, a wealth of operator types, a full complement of contact blocks and power supplies, and a host of useful accessories. And because they all *fit* together and *work* together — because they really *are* modular — inventory requirements and learning curves are reduced.



	Polished Chrome	Satin Chrome	Round Engineered Plastic	Square Engineered Plastic
Standard push buttons, extended & flush	✓	✓	✓	✓
Standard push buttons, recessed	✓	✓		
Illuminated push buttons, extended, flush & recessed	✓	✓	✓	✓
Mushroom-head push buttons, momentary, push-to-latch & push-pull	✓	✓	✓	✓
Illuminated mushroom-head push buttons, momentary, push-to-latch & push-pull	✓	✓	✓	✓
Pilot lights, diffused & refracted lens	✓	✓	✓	✓
Pilot lights, glass lens	✓	✓		
Push-to-test pilot lights	✓	✓	✓	✓
2-, 3-, 4- & 5-position knob- & lever-operated selector switches	✓	✓	✓	✓
2- & 3-position illuminated knob- & lever-operated selector switches	✓	✓	✓	✓
2-, 3- & 4-position key-operated selector switches	✓	✓	✓	✓
Joysticks & wobble sticks	✓	✓	✓	
Reset push buttons, toggle switches & potentiometer operators	✓	✓	✓	✓
Key-operated & selector push buttons	✓	✓	✓	
Buzzers			✓	✓
Multi-function push buttons				✓





General Electric Company
41 Woodford Avenue, Plainville, CT 06062
© 1994 General Electric Company

GE Electrical Distribution & Control