



GE Industrial Systems

Surion Manual Motor Controllers



New. Versatile. Simple. Global.

For any purpose, anywhere, Surion fits.

SURION IS NEW.

This line of compact, reliable manual motor controllers is complete in scope and flexible in application.

SURION IS VERSATILE.

Two frame sizes, two operator types, two FLA ranges and two interrupting levels assure you of the right device for your application.

Both toggle and rotary operators guarantee clear status indication, with ON-TRIP-OFF positions showing the circuit status at a glance.



Surion at a glance

Controller Series	GPS1BS	GPS1BH	GPS2BH
Frame Size	45mm	45mm	55mm
Operator	Toggle	Rotary	Rotary
FLA Range	0.1-32A	0.1-32A	6.3-63A
UL 508 Short Circuit Ratings (kAIC)			
Individual & Group Installations			
240V	65-100	65-100	65-100
480V	22-65	50-65	50-65
600V	10-25	10-25	10-25
Combination Installations	NA	50	50
Max. 3-phase HP @ 480V	20	20	40

SURION IS SIMPLE.

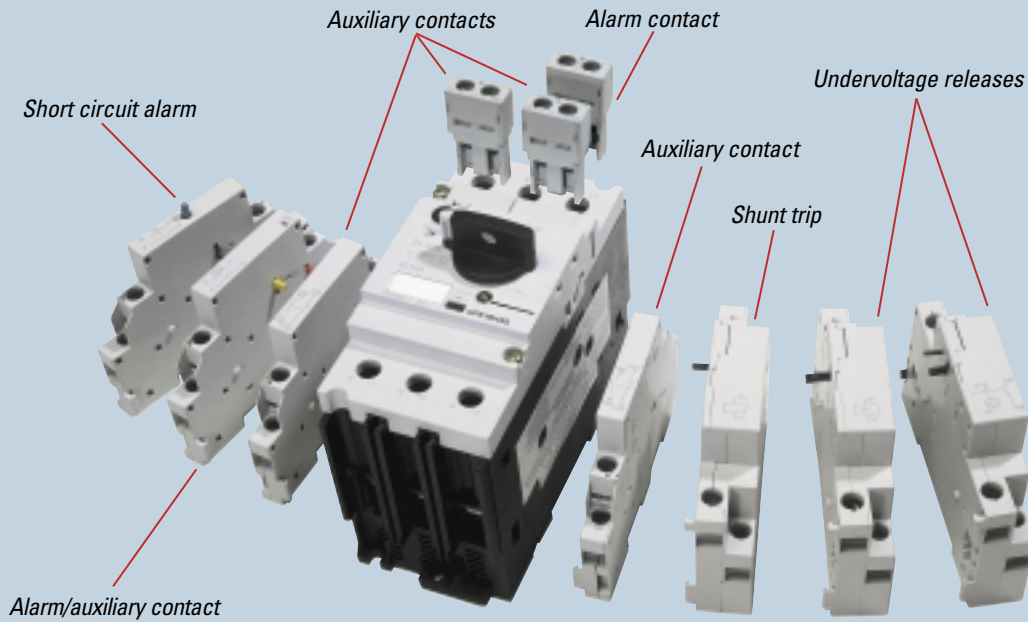
Its size saves space and makes it easy to handle. Accessories plug in or snap on. Controllers mount on DIN rails or in enclosures. Installation is a breeze.

SURION IS GLOBAL.

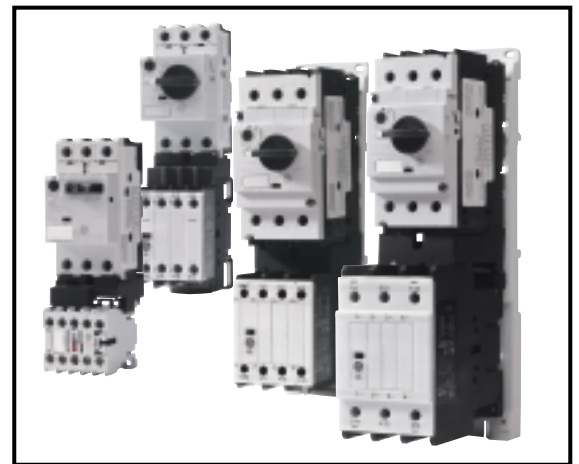
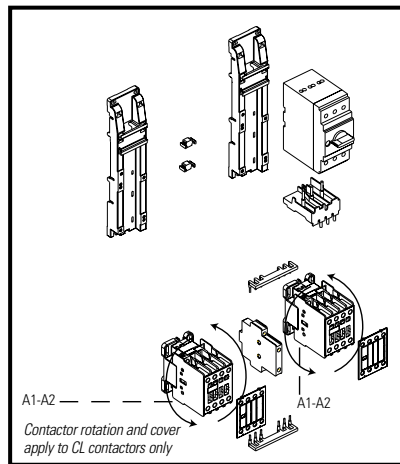
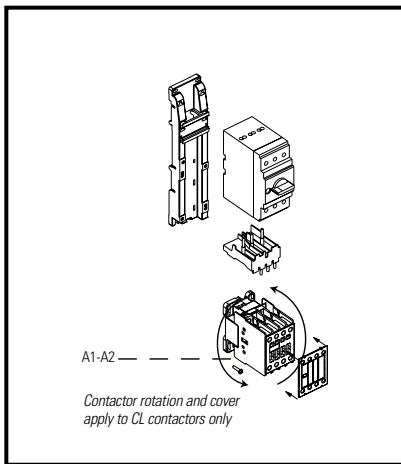
It is available around the world in the same form, with the same catalog number, with both IEC and US markings. It can be applied confidently for both domestic and international applications. Surion controllers also work seamlessly with to GE's other IEC controls and fit perfectly with C-2000 mini-contactors or contactors to form self-contained integrated starters.

Group accessories and enclosures.

Power input terminals, input busbars and terminal covers simplify group installations. Metallic or non-metallic enclosures and their accessories create still more possibilities for Surion controllers of any configuration.



Controller-mounted accessories.
All Surion controllers accept the same array of accessories, minimizing inventory requirements and maximizing application flexibility. They mount as shown into or onto the controllers.



Integrated starters.

With C-2000 contactors or mini-contactors (and their accessories) – plus a full complement of bases, links and other elements – Surion becomes the integrated starter you need. Choose components or assembled, open or enclosed, in either frame size.

Surion features, standards & installations

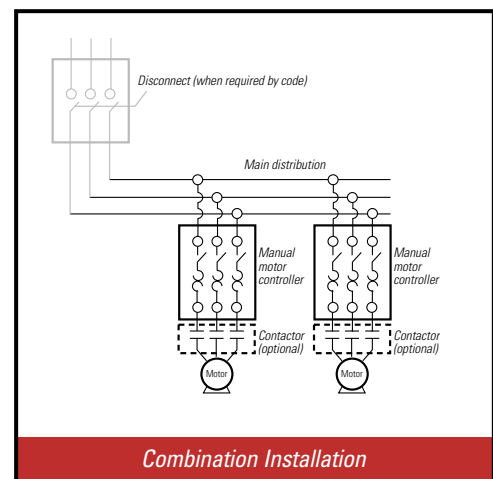
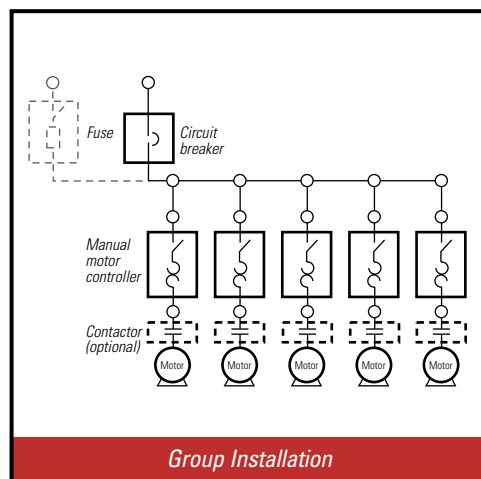
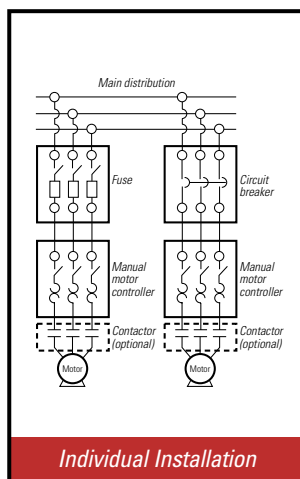
KEY FEATURES

- 45mm width rated up to 32 amps, 55mm width up to 63 amps
- Three position operator: OFF-TRIP-ON
- Padlockable in the OFF position
- Class 10 overload trip characteristics
- Ambient compensated -20°C to +60°C
- Single-phase sensitivity
- Anti tamper cover over current adjustment dial
- Trip test
- Complete range of common accessories
- Finger-safe terminals
- Pz 2 slotted/combo screws
- 35mm DIN rail mounting

STANDARDS & APPROVALS

- IEC 60947-1, 60947-2, 60947-4
- DIN VDE660T 100 / 101 / 102
- UL 508 / CSA 22.2
- UL, cUL Listed
- CE Marked

INSTALLATIONS



GE Industrial Systems

General Electric Company
41 Woodford Avenue, Plainville, CT 06062
www.GEindustrial.com

©2001 General Electric Company

DEA-295 0401