



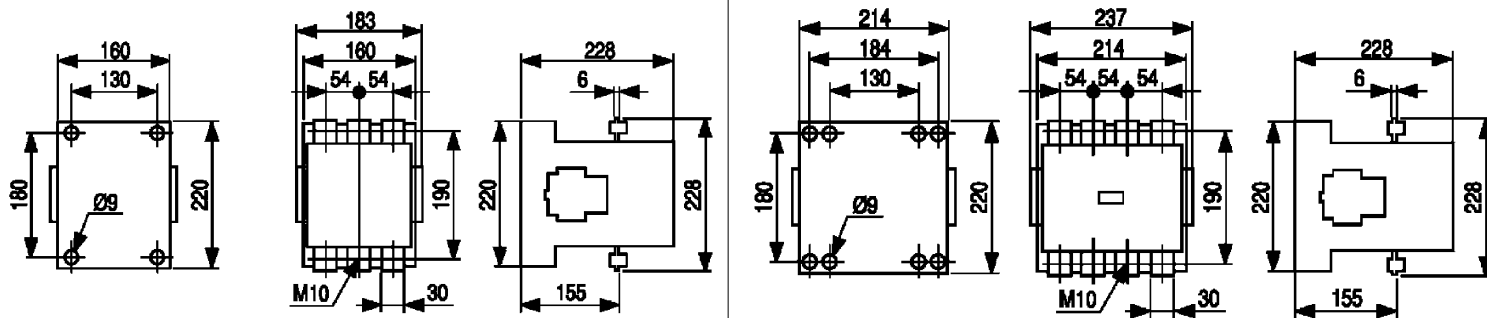
DEH-022

Installation Instructions

CK10C-CK11C Contactor



WARNING: Disconnect power from source before installing, modifying or servicing.



CK10C-3, CK11C-3

CK10C-4, CK11C-4

IEC COUNTRIES

| | | | | | |
|--------|------|------|--------|------|------|
| AC1 | | | AC3 | | |
| P (kW) | | | P (kW) | | |
| 220V | 380V | | 220V | 380V | |
| 240V | 415V | 500V | 240V | 415V | 500V |
| 228 | 395 | 519 | 125 | 220 | 300 |
| 266 | 460 | 606 | 160 | 280 | 400 |

USA & CANADA (UL, CSA)

| | | | | | | | | | | | | | | | | |
|--|--|--|--|--|--|--|--|--|--|------------------------|-------------|----------------|-------------|-------------|-----------------------------|-----|
| | | | | | | | | | | Three-phase | | | | | Starter Max. Full-load Amps | |
| | | | | | | | | | | Horsepower | | kW 50 Hz | | | | |
| | | | | | | | | | | Motor Voltage-60 Hertz | | | | | | |
| | | | | | | | | | | | 200- 208 | 220- 240 | 440- 480 | 550- 600 | 380/ 415 | |
| | | | | | | | | | | | 125 | 150 | 300 | 400 | 220 | 398 |
| | | | | | | | | | | | 150 | 200 | 400 | 500 | 280 | 480 |

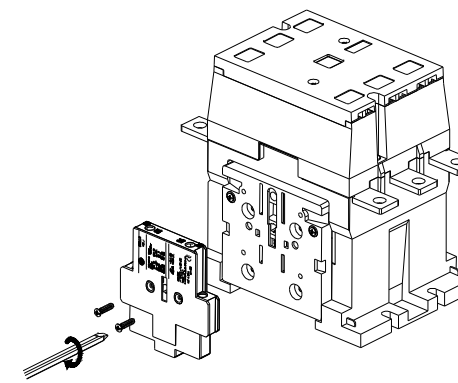
Suitable for use on circuit capable of delivering not more than 10,000 RMS symmetrical amperes, 600 volts maximum when protect by H, J, K, RK5 class fuses, or a circuit breaker having an interrupting rating not less than 10,000 RMS symmetrical amperes, 600 volts maximum. Use only whith overload relay manufactured by GE POWER CONTROLS, serie RT. For use in enclosures whith minimum dimensions 42 in. by 16 in. by 10 in.

COIL

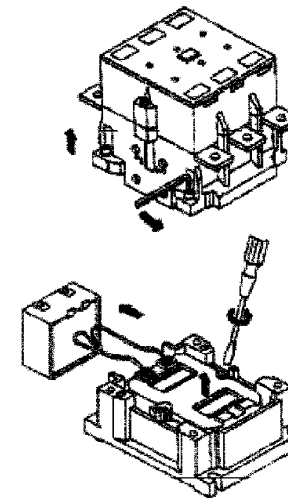
With electronic module. AC/DC (Types CK__E__)

| | | | | | | |
|---------|------|-----|------|------|------|------|
| □ COD. | D(1) | F | J | N | U | Y |
| Voltage | 24V | 42V | 110V | 220V | 380V | 440V |
| | 28V | 48V | 127V | 250V | 415V | 500V |

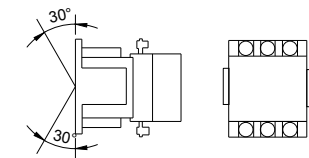
CONTACTS



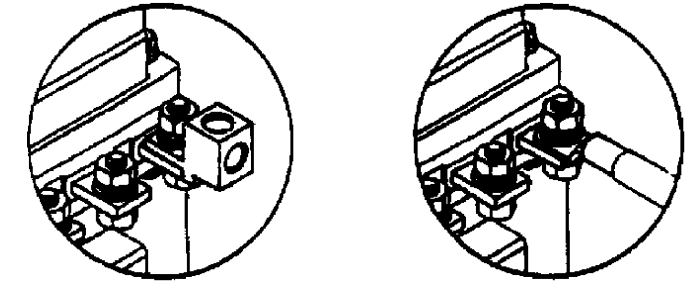
COIL CHANGE



MOUNTING



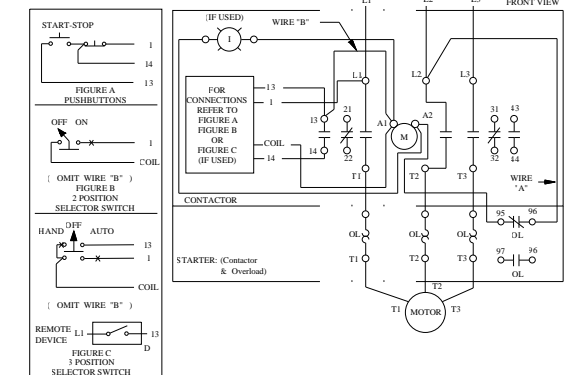
WIRING



USE LUG KIT CKX01

USA & CANADA

WIRING DIAGRAM



M-Line Contactor. I-Indicating Light. D-Maintaining Contac Pilot Device. OL-Thermal Overload Relay. For Separate Control-On Contactors, omit wire "A" and connect source to coil and to 1 on control device.

Suitable For Use On A Circuit Capable Of Delivering Not More Than (a) RMS Symmetrical Amperes, (b) Volts Maximum, When Protected by (c) Class Fuses Rated (d) Amperes Maximum, or When Protected by (e) Type (f) Circuits Breakers, Rated (g) Amperes Maximum. For Use In Enclosures With Minimum Overall Dimensions of (h).*

| Catalog Number | Max FLA | Overload Relay Model | Short Circuit Rating | | Maximum Fuse Size | | Maximum Breaker Size | | Minimum Enclosure Volume (cu in) |
|--------------------|---------|----------------------|----------------------|---------------|-------------------|--------------|----------------------|-----------|----------------------------------|
| | | | RMS Sym Amperes (a) | Volts Max (b) | Class (c) | Max Size (d) | Make (e) | Model (f) | |
| CK10C 382 | --- | --- | 30,000 | 600 | H, RK5, J or L | 1000A | --- | --- | 6,720 |
| CK11C 480 | --- | --- | 30,000 | 600 | H, RK5, J or L | 1000A | --- | --- | 6,720 |
| CK10C 382 | --- | --- | 30,000 | 600 | --- | --- | any | any | 600A |
| CK11C 480 | --- | --- | 30,000 | 600 | --- | --- | any | any | 600A |
| CK10C 382 | --- | --- | 100,000 | 600 | J | 600A | --- | --- | 11,960 |
| CK11C 480 | --- | --- | 100,000 | 600 | J | 600A | --- | --- | 11,960 |
| CK10C 382 | --- | --- | 65,000 | 480 | --- | --- | GE | SGL | 600A |
| CK10C 382 | --- | --- | 35,000 | 480 | --- | --- | GE | SGH | 600A |
| CK11C 480 | --- | --- | 65,000 | 480 | --- | --- | GE | SGL | 600A |
| CK11C 480 | --- | --- | 35,000 | 480 | --- | --- | GE | SGH | 600A |
| CK10C 382 RT5,RT5L | --- | --- | 65,000 | 480 | --- | --- | GE | SGL | 600A |
| CK10C 382 RT5,RT5L | --- | --- | 35,000 | 480 | --- | --- | GE | SGH | 600A |
| CK11C 480 RT5,RT5L | --- | --- | 65,000 | 480 | --- | --- | GE | SGL | 600A |
| CK11C 480 RT5,RT5L | --- | --- | 35,000 | 480 | --- | --- | GE | SGH | 600A |

产品质量检验证书
Product Quality Inspection Certificate
该产品通过质量检测
The product passed Quality Inspection

原产地: 波兰
Country of Origin: Poland

制造商: GE Power Controls
Manufacturer: GE Power Controls

工厂地址: ul Lodowa 88
Factory address: ul Lodowa 88 92-313 Lodz (Poland)

NOTE: Additional over-current protection may be required. Refer to the National Electrical Code or local electrical code as required. Single phase applications: Single phase starters require all three overload heaters to be energized for proper operations. For single phase operations use separate conductor and connect overload load terminal T2 to contactor line terminal L3. Connect load to overload terminals T1 and T3. Connect incoming power to contactor line terminals L1 and L2.

These instructions do not purport cover all details or variations in equipment nor to provide for every possible contingency to be met in connection with installation operation maintenance. Should further information be desired or should particular problems arise which are not covered sufficiently for the purchaser's purposes, the matter should be referred to the GE Company.

Power Controls B.V.
400B60115P-03

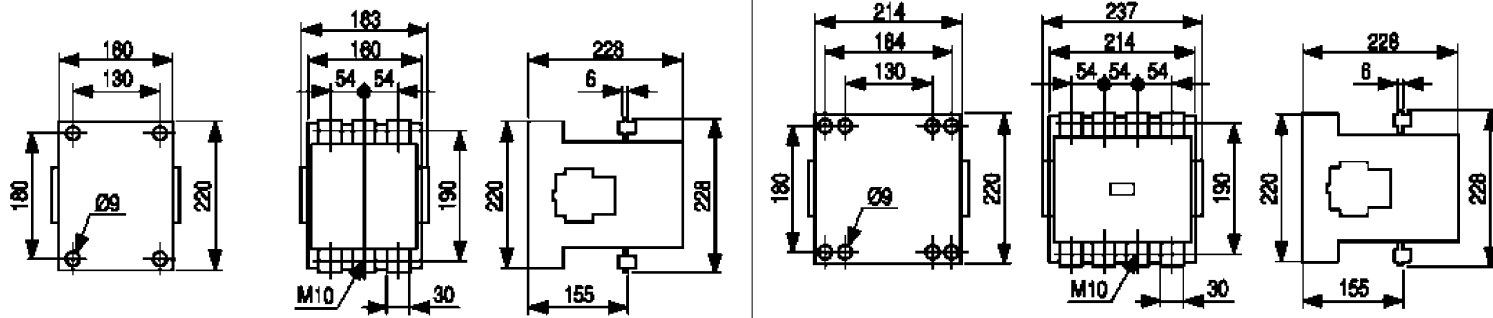
GE ED&C
Plainville, CT USA



CK10B-CK11B-CK12B Contactor



WARNING: Disconnect power from source before installing, modifying or servicing.



Three Poles

Four Poles

IEC COUNTRIES

USA & CANADA (UL, CSA)

| AC1 | | | AC3 | | | Cat.No. | AC/DC | Pole | A2 Coil | Three-phase | | | | | Starter Max. Full-load Amps |
|--------|------|------|--------|------|------|------------------------|---------|---------|---------|-------------|---------|-----|-----|---|-----------------------------|
| P (kW) | | | P (kW) | | | | | | | Horsepower | | | | | |
| 220V | 380V | 500V | 220V | 380V | 500V | Motor Voltage-60 Hertz | | | | | 380/415 | | | | |
| 240V | 415V | 500V | 240V | 415V | 500V | 200-208 | 220-240 | 440-480 | 550-600 | 380/415 | | | | | |
| 228 | 395 | 519 | 125 | 220 | 300 | CK10BE | E | 3/4 | | 125 | 150 | 300 | 400 | - | 398 |
| 266 | 460 | 606 | 160 | 280 | 400 | CK11BE | E | 3/4 | | 200 | 250 | 400 | 500 | - | 480 |
| 381 | 658 | 823 | 220 | 375 | 480 | CK12BE | E | 3/4 | | 200 | 250 | 500 | 600 | - | 590 |

Suitable for use on circuit capable of delivering not more than 10,000 RMS symmetrical amperes, 600 volts maximum when protect by H, J, K, RK5 class fuses, or a circuit breaker having an interrupting rating not less than 10,000 RMS symmetrical amperes, 600 volts maximum.

Use only whitin overload relay manufactured by GE POWER CONTROLS, serie RT.

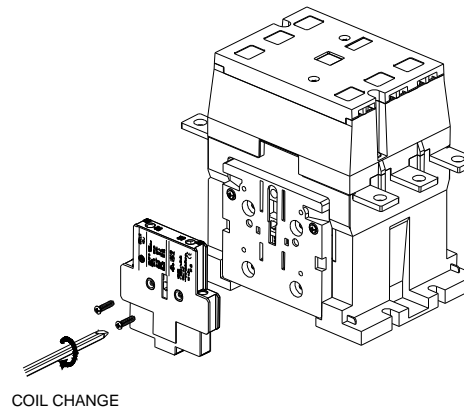
For use in enclosures whitin minimum dimensions 42 in. by 16 in. by 10 in.

COIL

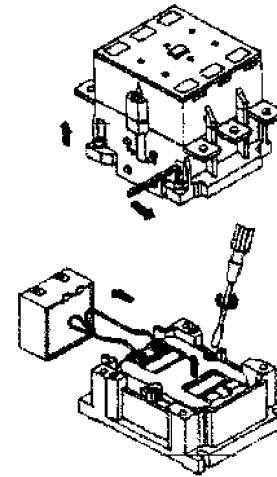
With electronic module. AC/DC (Types CK__E__)

| COD. | D(1) | F | J | N | U | Y |
|---------|------|-----|------|------|------|------|
| Voltage | 24V | 42V | 110V | 220V | 380V | 440V |
| | 28V | 48V | 127V | 250V | 415V | 500V |

CONTACTS

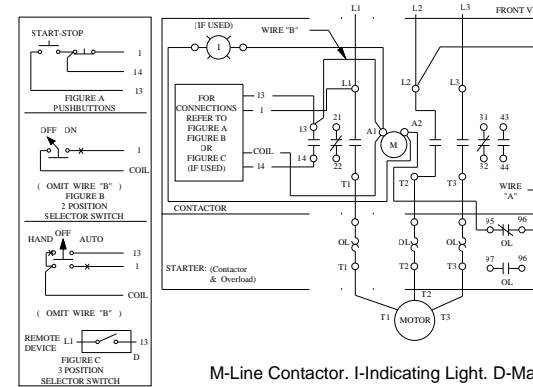


COIL CHANGE



USA & CANADA

WIRING DIAGRAM



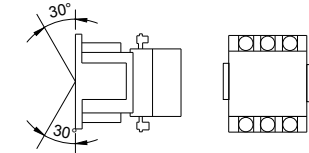
M-Line Contactor. I-Indicating Light. D-Maintaining Contac Pilot Device. OL-Thermal Overload Relay. For Separate Control-On Contactors, omit wire "A" and connect source to coil and to 1 on control device.

NOTE: Additional over-current protection may be required. Refer to the National Electrical Code or local electrical code as required. Single phase applications: Single phase starters require all three overload heaters to be energized for proper operations. For single phase operations use separate conductor and connect overload load terminal T2 to contactor line terminal L3. Connect load to overload terminals T1 and T3. Connect incoming power to contactor line terminals L1 and L2.

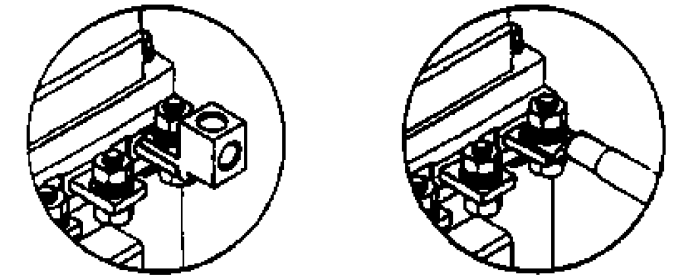
These instructions do not purport cover all details or variations in equipment nor to provide for every possible contingency to be met in connection with installation operation maintenance. Should further information be desired or should particular problems arise which are not covered sufficiently for the purchaser's purposes, the matter should be referred to the GE Company.

Power Controls B.V.
400B60115P-03

MOUNTING



WIRING



USE LUG KIT CKX01

Suitable For Use On A Circuit Capable Of Delivering Not More Than (a) RMS Symmetrical Amperes, (b) Volts Maximun, When Protected by (c) Class Fuses Rated (d) Amperes Maximun, or When Protected by (e) Type (f) Circuits Breakers, Rated (g) Amperes Maximun. For Use In Enclosures With Minimum Overall Dimensions of (h).*

| Catalog Number | Max FLA | Overload Relay Model | Short Circuit Rating | | Maximum Fuse Size | | Maximum Breaker Size | | | Minimum Enclosure Volume (cu in) |
|----------------|------------|----------------------|----------------------|---------------|-------------------|--------------|----------------------|-----------|--------------|----------------------------------|
| | | | RMS Sym Amperes (a) | Volts Max (b) | Class (c) | Max Size (d) | Make (e) | Model (f) | Max Size (g) | |
| CK10B 382 | RTSA,RTSLA | 18,000 | 600 | K | 400A | --- | --- | 1000 | 11,960 | |
| CK10B 382 | RTSB,RTSLB | 18,000 | 600 | K | 600A | --- | --- | 1000 | 11,960 | |
| CK10B 382 | RTSC,RTSLC | 18,000 | 600 | K | 800A | --- | --- | 1000 | 11,960 | |
| CK10B 382 | RTSD,RTSLD | 18,000 | 600 | K | 800A | --- | --- | 1000 | 11,960 | |
| CK10B 382 | --- | 18,000 | 600 | K | 800A | --- | --- | 1000 | 11,960 | |
| CK11B 480 | RTSA,RTSLA | 30,000 | 600 | K | 400A | --- | --- | 1200 | 11,960 | |
| CK11B 480 | RTSB,RTSLB | 30,000 | 600 | K | 600A | --- | --- | 1200 | 11,960 | |
| CK11B 480 | RTSC,RTSLC | 30,000 | 600 | K | 800A | --- | --- | 1200 | 11,960 | |
| CK11B 480 | RTSD,RTSLD | 30,000 | 600 | K | 900A | --- | --- | 1200 | 11,960 | |
| CK11B 480 | RTSD,RTSLD | 30,000 | 600 | K | 1000A | --- | --- | 1200 | 11,960 | |
| CK11B 480 | --- | 30,000 | 600 | K | 1000A | --- | --- | 1200 | 11,960 | |
| CK12B 590 | RTSA,RTSLA | 30,000 | 600 | K | 400A | --- | --- | 1200 | 11,960 | |
| CK12B 590 | RTSB,RTSLB | 30,000 | 600 | K | 600A | --- | --- | 1200 | 11,960 | |
| CK12B 590 | RTSC,RTSLC | 30,000 | 600 | K | 800A | --- | --- | 1200 | 11,960 | |
| CK12B 590 | RTSD,RTSLD | 30,000 | 600 | K | 900A | --- | --- | 1200 | 11,960 | |
| CK12B 590 | RTSD,RTSLD | 30,000 | 600 | K | 1000A | --- | --- | 1200 | 11,960 | |
| CK12B 590 | --- | 30,000 | 600 | K | 1000A | --- | --- | 1200 | 11,960 | |

产品质量检验证书
Product Quality Inspection Certificate
该产品通过质量检测
The product passed Quality Inspection

原产地: 波兰
Country of Origin: Poland

制造商: GE Power Controls

工厂地址: ul Lodowa 88
92-313 Lodz (Poland)

GE ED&C
Plainville, CT USA