



MANUAL MOTOR STARTER
 DISJONCTEURS MOTEURS
 MOTORSCHUTZSCHALTER
 INTERRUPTT PROTEZ MOTORE
 INTERRUPTOR AUTOMATICO
 DISJUNTOR PARA MOTOR
 MOTORBEVEILINGSSCHAKELAAR

TYPE:GPS1BSA

WARNING: Disconnect power from source before installing, modifying, or servicing.

ATTENZIONE: Togliere alimentazione prima dell'installazione e di qualunque manutenzione.

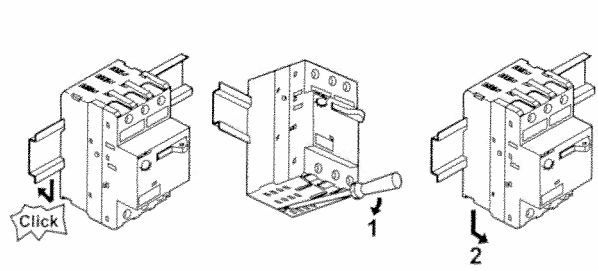
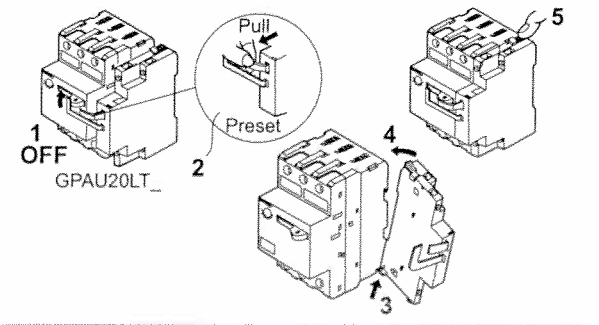
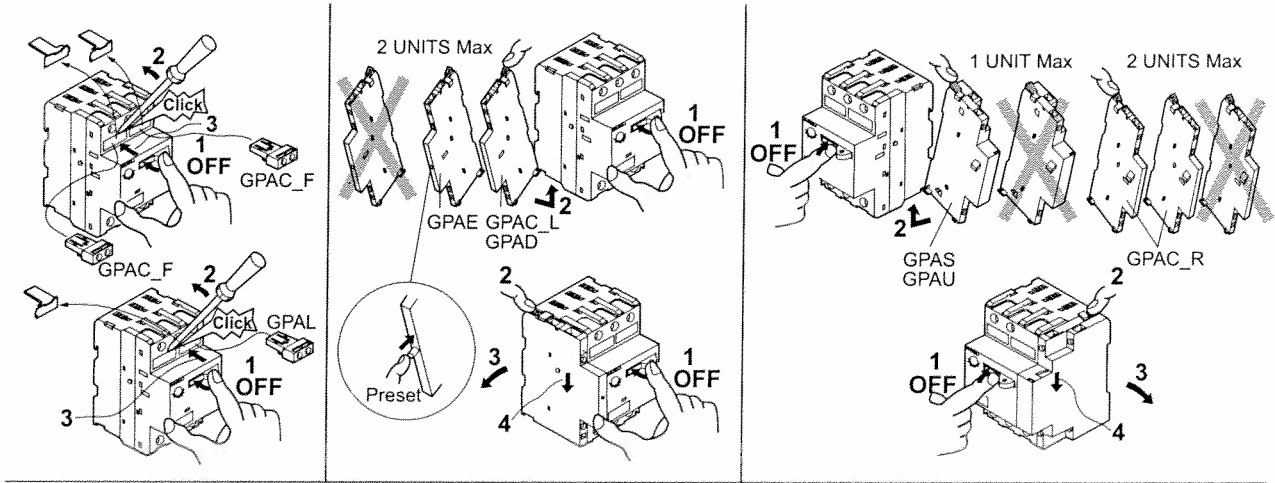
ATTENTION: Couper l'alimentation avant installation, modification ou entretien.

ATENCIÓN: Quitar la tension antes del montaje y antes de hacer cualquier manipulación.

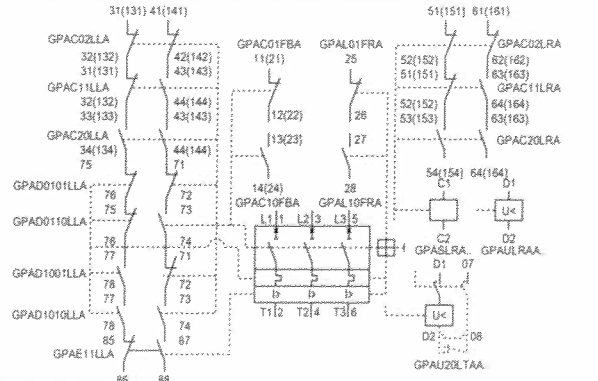
WARNUNG: Netzspannung abschalten, bevor Installations-, Montage- oder Instandhaltungsarbeiten durchgeführt werden.

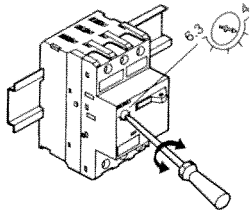
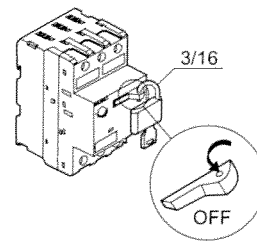
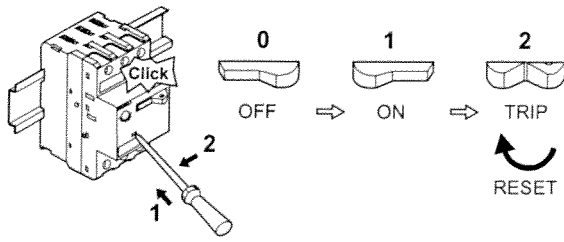
ATENCAO: Desligar antes de instalar, modificar ou reparar.

OPGELET: Netspanning onderbreken bij installatie, wijzigingen en onderhoud.

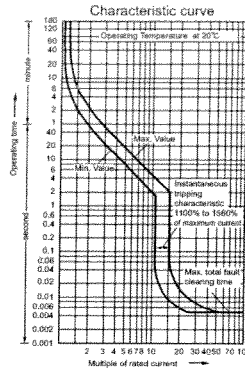


TYPE	GPS1_	GPA_
	1x1...10 mm ² 2x1...6 mm ²	1x0.5...2.5 mm ² 2x0.5...2.5 mm ²
	1x1...6 mm ² 2x1...6 mm ²	—
AWG	1x18 to 8 AWG 2x18 to 10 AWG	1x18 to 14 AWG 2x18 to 14 AWG
TORQUE	2.0 N·m 18 lb.in	0.8 N·m 7 lb.in





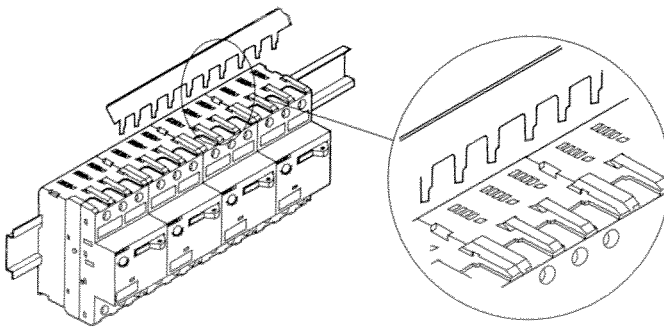
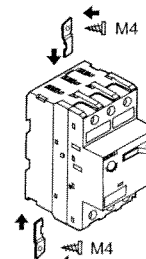
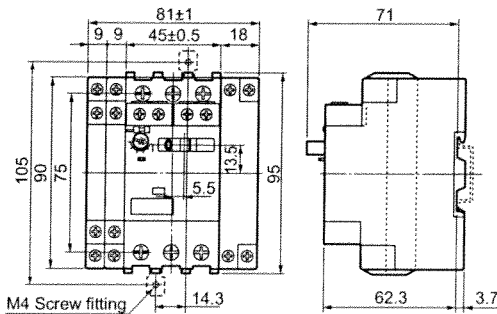
Catalog Number	Adjustment Range
GPS1BSAA	0.1 - 0.16
GPS1BSAB	0.16 - 0.25
GPS1BSAC	0.25 - 0.4
GPS1BSAD	0.4 - 0.63
GPS1BSAE	0.63 - 1
GPS1BSAF	1 - 1.6
GPS1BSAG	1.6 - 2.5
GPS1BSAH	2.5 - 4
GPS1BSAJ	4 - 6.3
GPS1BSAK	6.3 - 10
GPS1BSAL	9 - 13
GPS1BSAM	11 - 16
GPS1BSAN	14 - 20
GPS1BSAP	19 - 25
GPS1BSAR	24 - 32



Service Factors (US only)

*For a motor with a service factor of 1.15 or greater, use the motor nameplate full load current to select the appropriate current range.

*For motors with a service factor less than 1.15, multiply the motor FLA by .9 and select the appropriate current range.



Suitable for motor group installation on a circuit capable of delivering not more than shown below, when protected by 500A maximum Fuses of Circuit Breaker.

Catalog Number	FLA Adjustment Range	RMS Symmetrical Amperes		
		240V	480V	600V
GPS1BSAA	0.1 - 0.16	100,000	65,000	25,000
GPS1BSAB	0.16 - 0.25	100,000	65,000	25,000
GPS1BSAC	0.25 - 0.4	100,000	65,000	25,000
GPS1BSAD	0.4 - 0.63	100,000	65,000	25,000
GPS1BSAE	0.63 - 1.0	100,000	65,000	25,000
GPS1BSAF	1.0 - 1.6	100,000	65,000	25,000
GPS1BSAG	1.6 - 2.5	100,000	65,000	25,000
GPS1BSAH	2.5 - 4	100,000	65,000	25,000
GPS1BSAJ	4 - 6.3	100,000	65,000	25,000
GPS1BSAK	6.3 - 10	100,000	65,000	25,000
GPS1BSAL	9 - 13	100,000	65,000	25,000
GPS1BSAM	11 - 16	65,000	50,000	18,000
GPS1BSAN	14 - 20	65,000	50,000	18,000
GPS1BSAP	19 - 25	65,000	50,000	18,000
GPS1BSAR	24 - 32	65,000	50,000	10,000

These instructions do not purport to cover all details or variations in equipment nor to provide for every possible contingency to be met in connection with installation operation or maintenance. Should further information be desired or should particular problems arise which are not covered sufficiently for the purchaser's purposes, the matter should be referred to the GE Company.

GE Power Controls

GE Industrial Systems

41 Woodford Ave.
Plainville, CT 06062