



# Spectra Series™ Power Panelboards

## Circuit Breaker Cover Kit Catalog Number AMCB6TEDL

### Application

For use with circuit breaker type TED136 and current limiter TEDL36 (015, 020, 030, 060, 100).

The kit contains parts for 36W, 40W, and 44W panelboards and 40W and 45W switchboards. Choose the appropriate filler from the kit by matching its width with the width of the existing fillers. Discard the other filler. Figure 1 shows all the parts included in this kit, which are listed in Table 1.

### Installation



**WARNING:** Danger of electrical shock or injury. Turn OFF power ahead of the panelboard or switchboard before working inside the equipment or removing any component. Equipment is to be installed and maintained by properly trained and qualified personnel only.

In the following instructions and figures, numbers in brackets refer to the items in Table 1.

1. Confirm the contents of the kit. These kits are for assembling fillers for TED6-frame Spectra circuit breakers with TEDL current limiter on Spectra APNB bolt-on style interiors. The vertical space required is 4.125 in. (3X).

Item	Description	Part #	Qty.
1	#CM 36, 40W TEDL DB 3X Filler	168D1930P3	1
2	#CM 44, 45W TEDL DB 3X Filler	168D1930P4	1
3	Cover support 3X	208C1850P3	2
4	Barrier center	252B1667P1	1
5	Spacer plate TED6 w/TEDL	252B2056P8	1
6	Steel drive rivet #10 x 1/2"	331A3329P2	2
7	Thread-forming screw, 10-32 x 3/8"	N722EP16006B6	2
8	Instruction sheet	DEH40392	1

Table 1. Parts list for kit AMCB6TEDL.

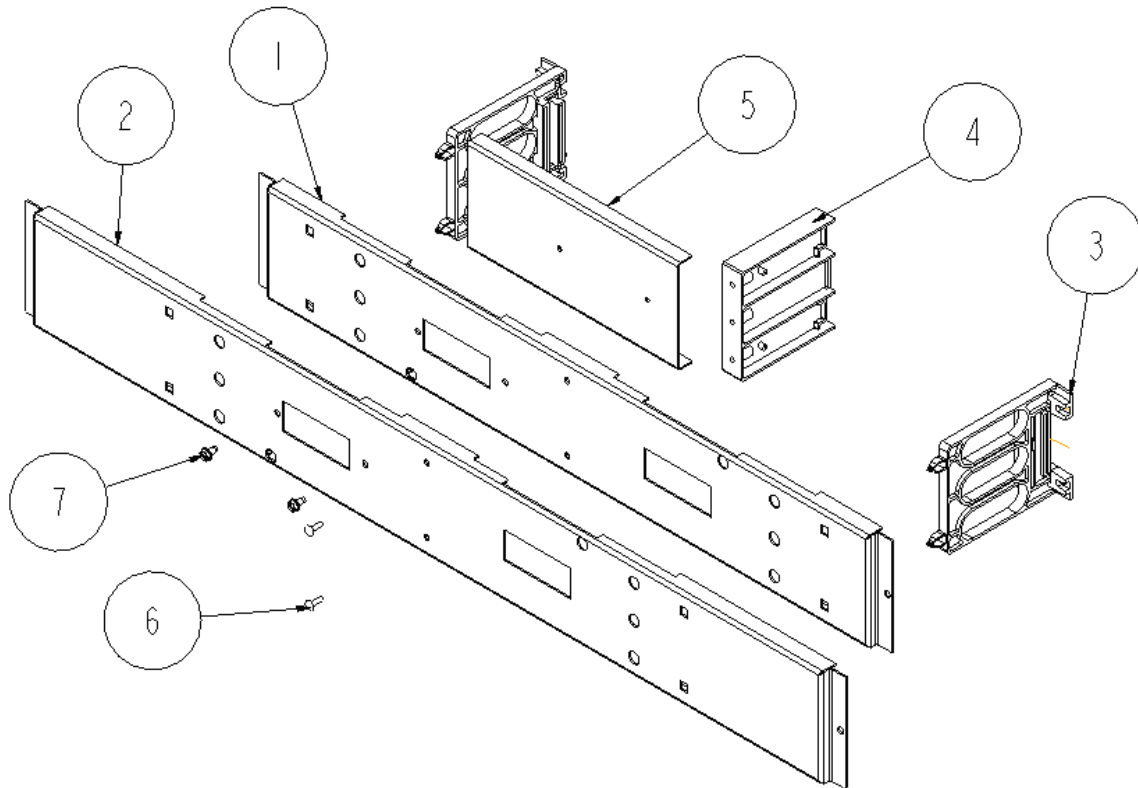


Figure 1. Parts Included In the circuit breaker filler kit AMCB6TEDL.

- 2. Attach the barrier center to the filler.** Put steel drive rivets [6] through the clearance hole in the filler [1, 2] and align with the appropriate holes in the barrier center [4], as shown in Figure 2. Lightly tap the rivets with a hammer to secure into the barrier center.

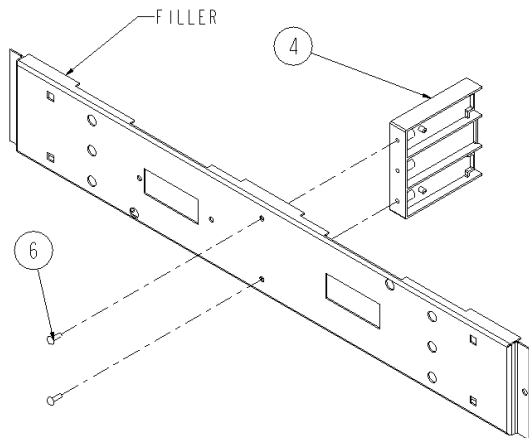


Figure 2. Riveting the barrier to the filler.

- 3. Install the space filler.** Mount the spacer plate [5] to the side without a TED6 breaker with TEDL, as shown in Figure 3. Units that are double branch mounted do not require a space filler. Align the holes on the spacer plate with the holes on the filler [1, 2] and secure with thread-rolling screws [7].

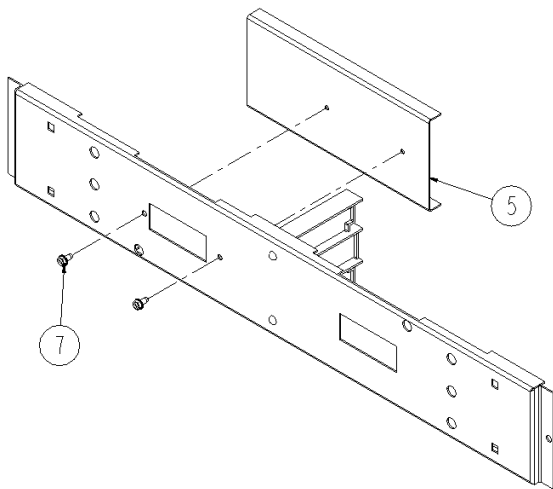


Figure 3. Mounting the space filler.

- 4. Attach the cover support.** Slide the cover support [3] onto the existing bracket on the circuit breaker, as shown in Figure 4. The cover support will snap into place when it is correctly positioned.

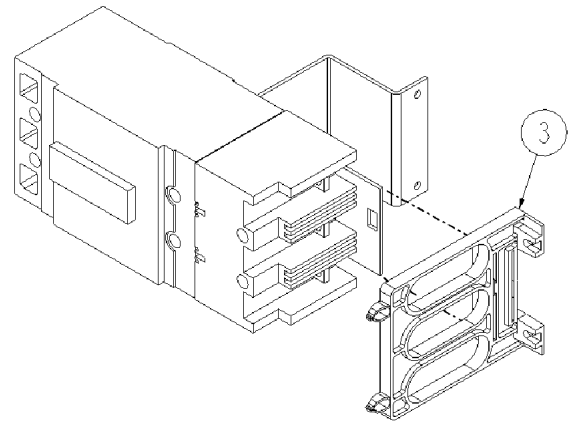


Figure 4. Cover support snapped onto the breaker.

- 5. Attach the breaker to the cover.** Snap the assembled circuit breaker cover over the flexible prongs on the filler supports, as shown in Figure 5.

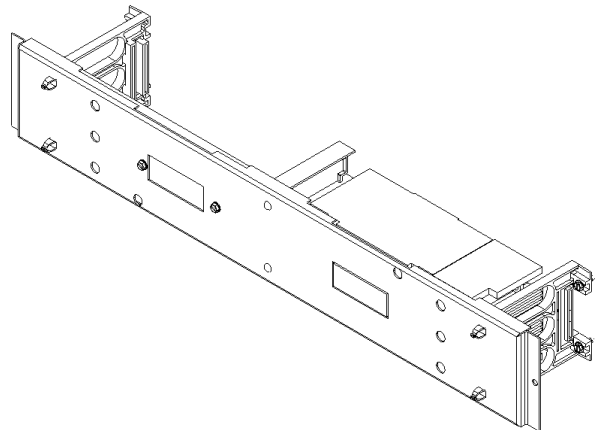


Figure 5. Breaker attached to the filler plate.

*Maintenance Note:* Push-on circuit breaker fillers may bend if not removed properly. To prevent bending of the filler, pull the upper edge of the filler off the flexible prongs, then pull the lower edge free.

These instructions do not cover all details or variations in equipment nor do they provide for every possible contingency that may be met in connection with installation, operation, or maintenance. Should further information be desired or should particular problems arise that are not covered sufficiently for the purchaser's purposes, the matter should be referred to the GE Company.



**GE Industrial Systems**

General Electric Company  
41 Woodford Ave., Plainville, CT 06062