



# Meter Socket Load Centers

## Midwest MSLC Bus Service Barrier Installation Kit

### Introduction

This document details the installation of the Bus Service Barrier Kit for the MSLC. These barriers are required when the KR breaker is used as a single service entrance main device inside MSLC.

Panel boards may be provided with service barriers factory installed. Barrier installation is required on the line side of the main device prior to energizing. These barriers are required to ensure isolation from live parts on the line side when the main breaker is turned off.

If a Bus Service barrier is removed from a circuit breaker for maintenance while the incoming line is shut off, it must be reinstalled prior to reenergizing to maintain isolation.

### Contents per Installation

**MBSB – Midwest MSLC Bus Service Barrier**

Description	Qty.
Bus Service Barrier	1

**NOTICE:** These instructions do not purport to cover all details or variations in equipment or to provide for every possible contingency to be met in connection with the installation, operation or maintenance. Should further information be desired or should particular problems arise which are not covered sufficiently for the purposes, the matter should be referred to the Midwest Electric Products. These instructions are intended for use by qualified personnel only.

### Hazard Classifications

The following important highlighted information appears throughout this document to warn of potential hazards or to call attention to information that clarifies a procedure.

Carefully read all instructions and become familiar with the devices before trying to install, operate, service or maintain this equipment.

⚠ <b>DANGER:</b> Indicates a hazardous situation which, if not avoided, will result in death or serious injury.
⚠ <b>WARNING:</b> Indicates a hazardous situation which, if not avoided, will result in death or serious injury.
⚠ <b>CAUTION:</b> Indicates that if the hazard is not avoided could result in minor or moderate injury.
ⓘ <b>NOTICE:</b> Is used to notify of practices not related to personal injury.

⚠ **DANGER:** Electrical arc flash hazard. Personal protection equipment required. Turn off power to the equipment before working inside.

### Installation

A service entrance panel with a KR 4 Pole breaker as a main circuit breaker will require a Bus service barrier.

No tools are required for the installation of Bus Service barriers. For the removal of bus service barrier pull the tab front away from the breaker. Bus Service barrier can be installed and removed before or after the wire installation is complete.

Figure 1 depicts the Bus Service Barrier included in the kit.

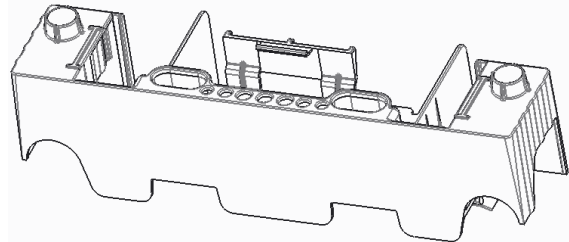


Figure 1: Bus Service Barrier

### Steps

Align the Bus service barrier with the line side lug of the KR 4P circuit breaker as shown in Figure 2.

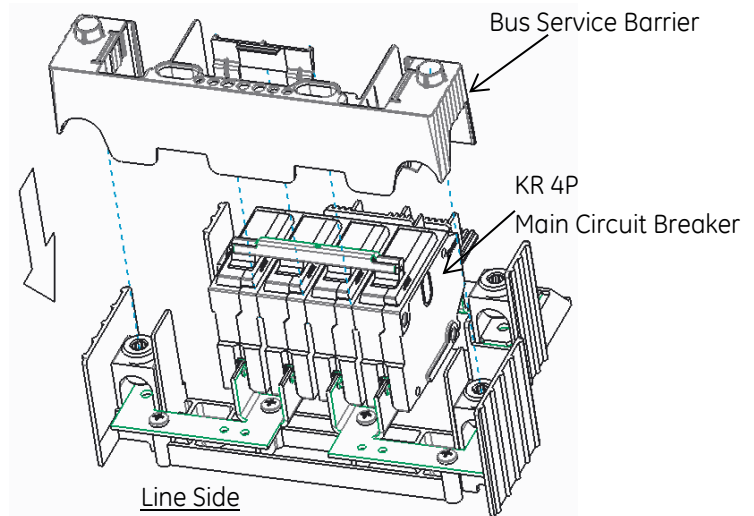


Figure 2: Bus Service Barrier Installation

Install the barrier by holding on the top and sliding the barrier down to cover the lug and bus until it fully seated into place at breaker rear side opening. Secure locking feature to breaker. Ensure the lug barrier is fully installed and in position as shown in Figure 3.

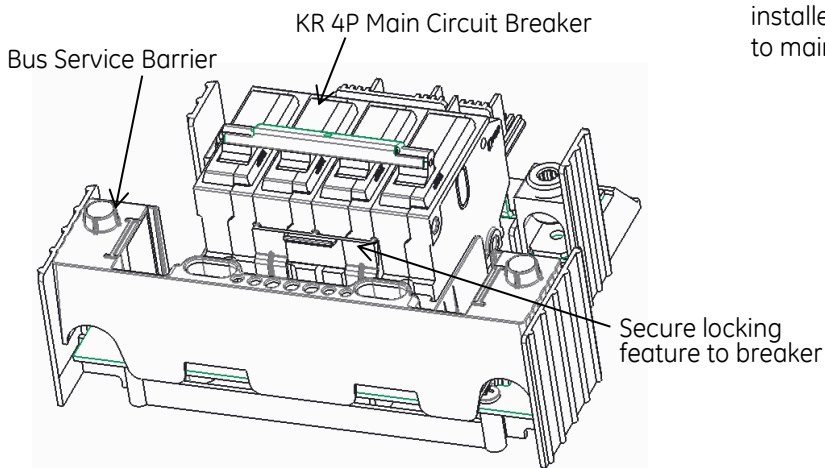


Figure 3: Fully Assembled Bus Service Barrier

**⚠ WARNING:** Bus service barriers must be correctly installed on the line side of a main device in MSLC to ensure isolation from live parts.

**⚠ WARNING:** Installing an incorrect size wire than the specified sizes for each circuit breaker frame will negate the barrier ability to protect personnel from exposed live components.

For wire range and screw torque value, please refer to rating label when wire installation is required.

The wires must be stripped to the correct length to maintain isolation. Strip the wire to a maximum of 1.00 in.

After stripping wires to the required length, the wires can be installed as normal. The Bus service barrier must be installed to maintain electrical isolation from accidental contact.

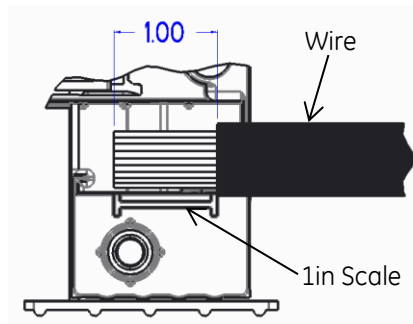


Figure 4: Maximum Wire Strip Length

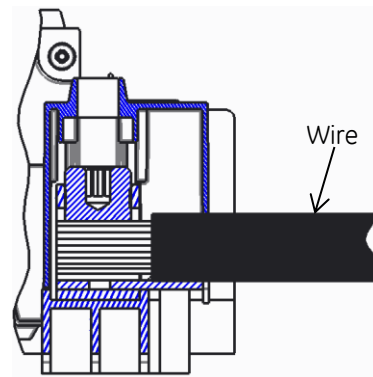


Figure 5: Wire Assembled

Midwest Electric Products  
 41 Woodford Avenue  
 Plainville, CT 06062  
 Customer Service: 866-685-0577. Fax: 804-965-1041  
 www.midwestelectric.com

© 2016 Midwest Electric Products

