

1 Description

The keypad can be mounted up to 3 metres away from the soft starter, allowing remote control and monitoring.

2 Packing List

1 x keypad and faceplate	4 x M3 x 16 Screw
1 x Cable, DB9, 3 metres	4 x M3 Flat washer
1 x Gasket, foam	4 x M3 Spring washer
1 x Instruction sheet	4 x M3 Nut
	2 x Jack screw

3 Mounting the keypad

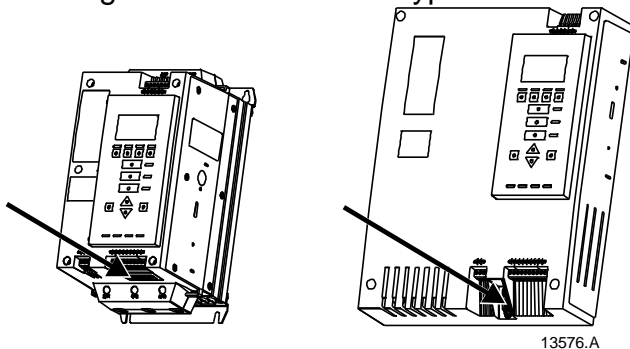


WARNING

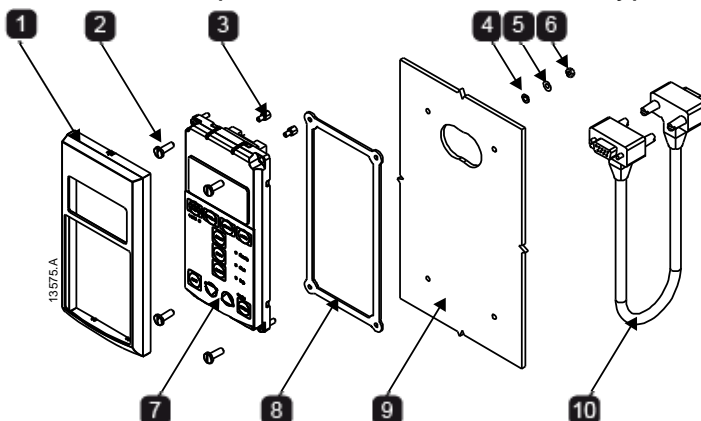
Models ≤ 105 A (≤ 55 kW): The keypad can be removed or replaced while the starter is running. It is not necessary to remove mains or control voltage.

Models > 105 A (> 55 kW): The busbar and/or heatsink are live whenever mains voltage is connected. Remove mains and control voltage from the soft starter before removing the cover.

1. Remove the faceplate.
2. Measure and drill four mounting holes and two holes for the DB9 connector (refer to *Mounting Diagram* on the back page).
3. Apply the foam gasket to the back of the keypad.
4. Align the keypad over the holes and screw in place. Tighten the screws so that the foam gasket is compressed to half its original thickness.
NOTE: If the screws are too loose, the gasket will not provide IP65 protection. Overtightening the screws can damage the keypad, gasket or panel.
5. Plug the cable into the keypad and the soft starter.



6. Press the faceplate onto the front of the keypad.



1	Faceplate
2	Screw
3	Jack screw
4	Flat washer
5	Spring washer
6	Nut
7	Keypad
8	Gasket
9	Panel
10	Cable

4 Synchronising the Keypad and the Starter

The DB9 cable can be connected/disconnected from the keypad while the starter is running.

The first time a keypad is plugged into a starter, the starter will copy its parameter settings to the keypad.

New Display Detected

If the keypad has previously been used with a soft starter, the operator can select whether to copy the parameters to the starter, or to copy the soft starter's parameter settings into the keypad.

Select the required option using the ▲ and ▼ buttons. Press **ENTER** to proceed with the selection.

Copy Parameters
 Display to Starter
 Starter to Display



NOTE

If the parameter software version in the keypad is different from the software version of the starter, only *Starter to Display* will be available.



NOTE

While the keypad is synchronising, only the ▲ ▼ **ENTER** and **STOP** buttons are enabled.

5 Mounting Diagram

Drill four mounting holes for screws (one in each corner) and two holes for the DB9 connector.



NOTE

Image is not to scale.

