

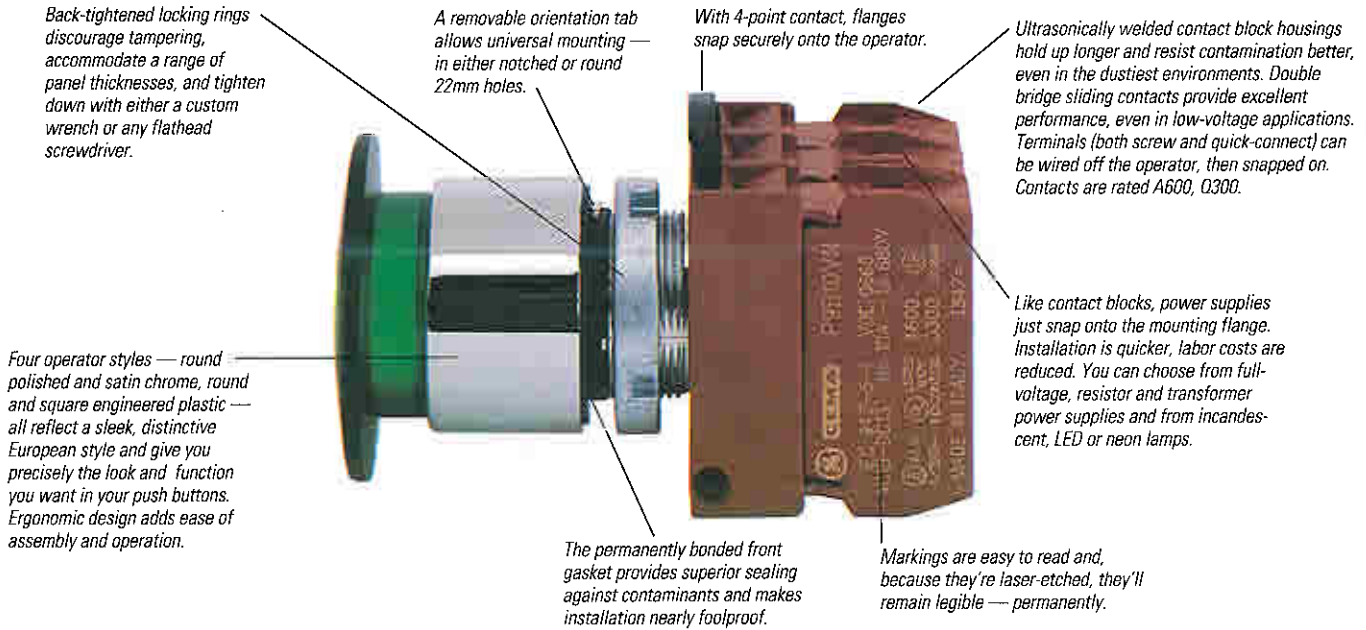


C-2000™ Push Buttons



Simplicity meets high performance in C-2000 push buttons, a uniquely versatile, heavy-duty 22mm line. Modular design, with a wide variety of styles and options, produces application flexibility as well as fast and easy installation. C-2000 push buttons are the complete line for both domestic and international use.

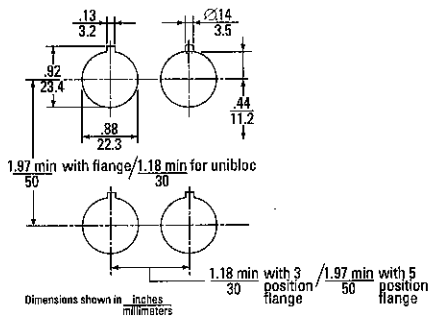
- **Superior Appearance and Ergonomics.** Innovative ergonomic design combines a clean, modern appearance with ease of operation. Contoured design eases operation and adds distinctive style.
- **Wider Selection.** An unsurpassed range of styles provides the ability to meet almost any application. Choose our rugged metal design featuring triple-plated chrome on a die-cast metal body or our engineered plastic design featuring a glass-filled nylon body. A host of enclosures and accessories complement the line and ensure maximum application flexibility.
- **Innovative Contact Block Design.** Double bridge wiping action contacts in an ultrasonically welded case provide long life and superior contact fidelity, even in low voltage applications. Standard contacts are rated A600, Q300, 10 million mechanical operations.
- **Versatile Modular Construction.** Positive snap-action assembly of all operators, flanges, contact blocks and power supplies provides not only application flexibility, but also fast and easy installation. Modularity reduces inventory requirements, too.
- **Designed and Manufactured for Reliability.** Quality is built in to every component using cutting-edge design and manufacturing techniques. 100% on-line inspection assures you of the quality you need.
- **Global Approval and Availability.** C-2000 push buttons meet all major world standards and are available under the same catalog numbers worldwide. Simplify your designs by standardizing on the push buttons that can be applied just about anywhere.



Operators by style

Operator type	Round			Square engineered plastic
	Polished chrome	Satin chrome	Engineered plastic	
Standard push buttons, extended & flush	✓	✓	✓	✓
Standard push buttons, recessed	✓	✓		
Illuminated push buttons, extended, flush & recessed	✓	✓	✓	✓
Mushroom-head push buttons, momentary, push-to-latch & push-pull	✓	✓	✓	✓
Illuminated mushroom-head push buttons, momentary, push-to-latch & push-pull	✓	✓	✓	✓
Pilot lights, diffused & refracted lens	✓	✓	✓	✓
Pilot lights, glass lens	✓	✓		
Push-to-test pilot lights	✓	✓	✓	✓
2-, 3- 4- & 5-position knob- & lever-operated selector switches	✓	✓	✓	✓
2- & 3-position illuminated knob- & lever-operated selector switches	✓	✓	✓	✓
2-, 3- & 4-position key-operated selector switches	✓	✓	✓	✓
Joysticks & wobble sticks	✓	✓	✓	
Reset push buttons, toggle switches & potentiometer operators	✓	✓	✓	✓
Key-operated & selector push buttons	✓	✓	✓	
Buzzers			✓	✓
Multi-function push buttons				✓

Mounting



Contact data

Thermal current	Ith = 10A per IEC 947-5-1
Insulation voltage	Ui = 660 Volts AC/DC (opposite polarity)
Protection from electrical shock	Class I per IEC 536 for metal operators Class II (double insulation) per IEC 536 for plastic operators
Insulation category	Group "C" per VDE 0110
Dielectric strength	2500 Volts
Short circuit protection	10A type gI fuse, per IEC 269.1 & 269.3
Pilot duty ratings	A600, Q300
IEC utilization categories	AC15, DC13
Contact fidelity	Minimum current: 5 mA Minimum voltage: 12 V AC/DC

Technical data

Conformity to standards	UL 508 NEMA ICS-2 VDE 0660 BSI CEI EN60947.5.1 CENELEC EN 5000 7	CSA C22.2 No. 14-M91 IEC 947.5.1(International) UTE NFC 63140 JIS
Approvals	UL Listed CSA Certified ISO 9000 registered manufacturing facility	
Finger protection at terminals	IP2X according to IEC 529 Terminal identification per CENELEC EN 50013	
Enclosure ratings	Suitable for use in NEMA Types 1, 3, 3R, 3S, 4, 4X, 12 and 13 enclosures. (Multi-function push buttons are suitable for NEMA Type 1 enclosures only unless used with protective rubber cap accessory.) IP66 per IEC 529, when mounted in enclosures with equal or superior seal.	
Ambient temperature	Operating -13° to +158° F -25° to +70° C	Storage -40° to 158° F -40° to +70° C



GE Electrical Distribution & Control

General Electric Company
41 Woodford Avenue, Plainville, CT 06062
© 1994 General Electric Company