

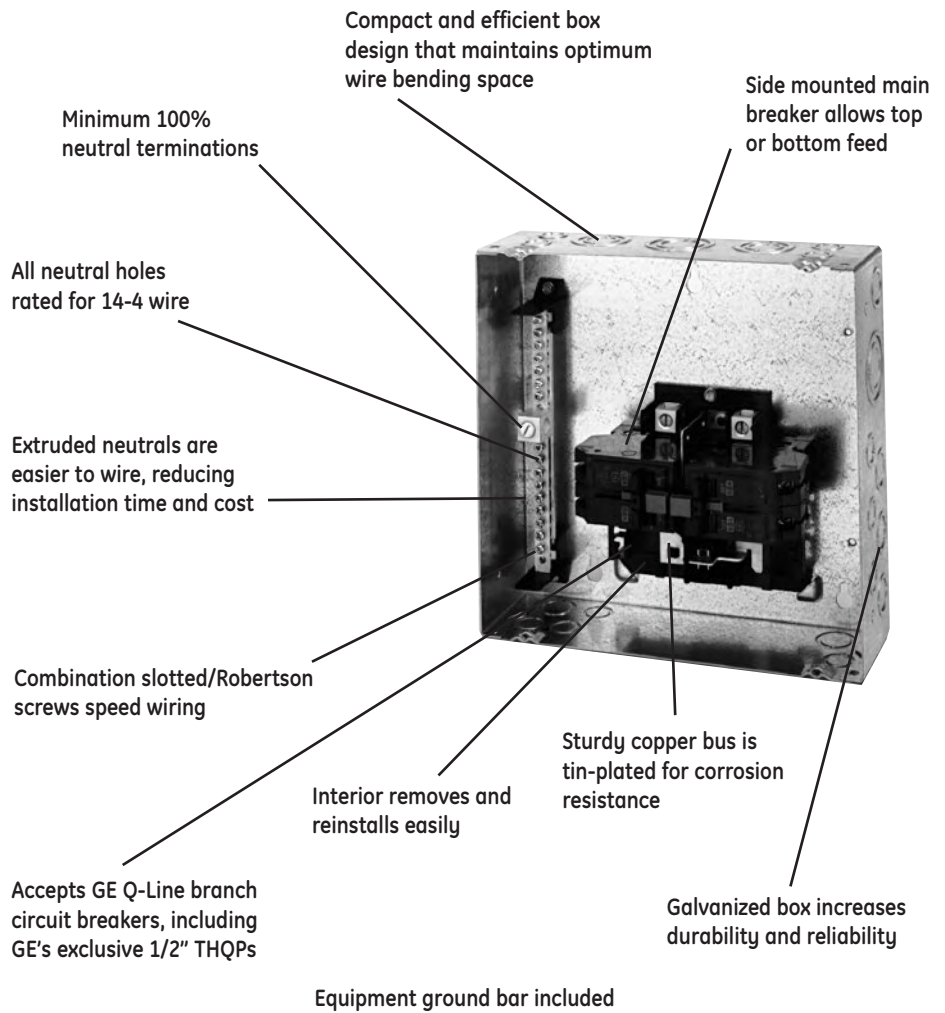


PowerMark Gold™ Generator Panel

- Single phase, 2 interlocked 30A or 60A main breakers, 8 circuits max.
- Safety and convenience when using a generator
- Maintains power to such critical circuits as those for furnace, pump, refrigerator, lights
- Connected dual breaker mechanism
-  

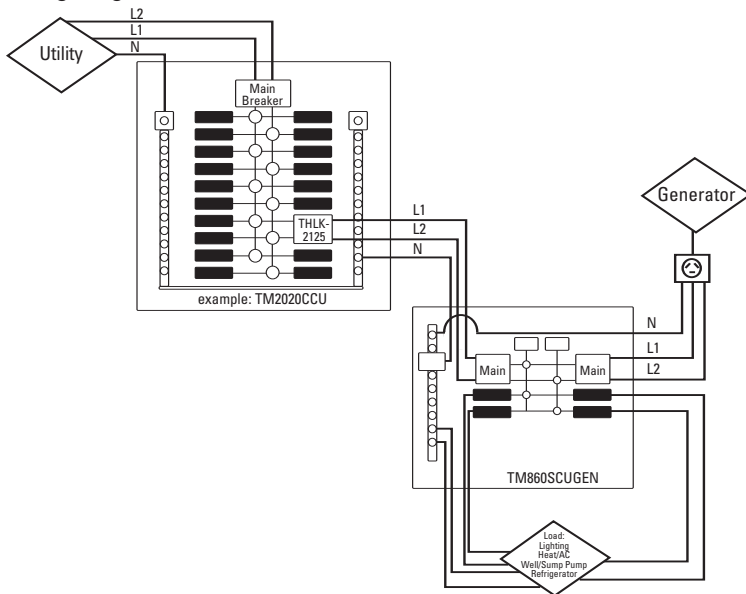


All generator panels include two interlocked main breakers and an equipment ground bar.

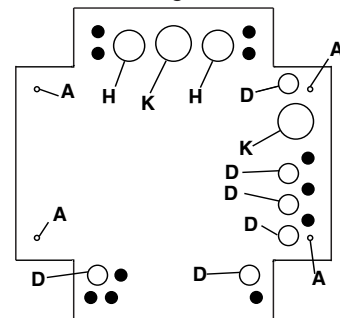
Selection Guide

Generator Rating	Main Amp Rating	Maximum Spaces				Total 1-pole Spaces	Generator Panel Catalog Number			Main Wire Size
		1" THQL		1/2" THQP			Indoor Flush Mount	Indoor Surface Mount	Outdoor	
		1-pole	2-pole	1-pole	2-pole					
Up to 7.5 kW	30	4	2	8	4	8	TM830FCUGEN	TM830SCUGEN	TM830RCUGEN	6-1
7.5 kW - 15 kW	60	4	2	8	4	8	TM860FCUGEN	TM860SCUGEN	TM860RCUGEN	

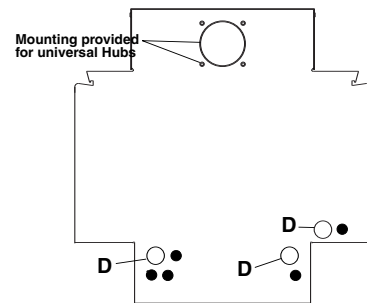
Wiring Diagram



Knockout Configurations and Dimensions



Indoor
11 9/16"W x 11 1/8"H x 3 1/4"D



Outdoor
11 1/4"W x 11 1/8"H x 3 1/4"D

Ratings

30A: 7,200 peak wattage, 5,760 continuous load, 24 amps at 240 volts
60A: 14,400 peak wattage, 11,520 continuous load, 48 amps at 240 volts

Accessories & Options

- Front filler plates
- Hardware kits (THDWRKIT)

References

DET-436 Residential Products Quick Selection Guide

For more information, contact your local GE Industrial Systems sales office or visit us on the web at www.geelectrical.com

Symbol	A	●	D	H	K
	9/32	-	-	-	-
	-	3/8	-	-	-
Conduit Size (In.)	-	1/2	1/2	1/2	-
	-	-	3/4	3/4	3/4
	-	-	-	1	1
	-	-	-	1 1/4	1 1/4
	-	-	-	-	1 1/2

GE Consumer & Industrial
41 Woodford Avenue, Plainville, CT 06062
www.geelectrical.com
© 2007 General Electric Company

