



# PowerMark Gold<sup>\*</sup> Load Centers

100-125 Amp, 12/22/24 Circuit

## More breaker capacity

- 14 1" breakers
- 24 total breaker spaces

## Easier installation

- New knockout layout includes 6 tangential knockouts, eliminates 3/8" knockout
- Slotted mounting holes for adjustable depth
- Centered key holes for ease of mounting
- Ground bar included

## Improved safety features

- Insulation tube protects ground bar from main lug wires
- Single Phase, Three Wire, 120/240 VAC, 22 kAIC rated
- UL Listed (Panelboards No. 67)
  - Service barriers included for factory installed main circuit breaker
- 60°C/75°C conductor rating
- Suitable for use as Service Entrance Equipment when installed in accordance with the National Electric Code

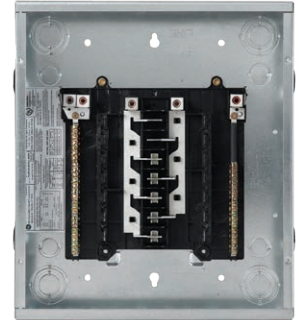


# PowerMark Gold Load Centers 100-125 Amp, 12/22/24 Circuit

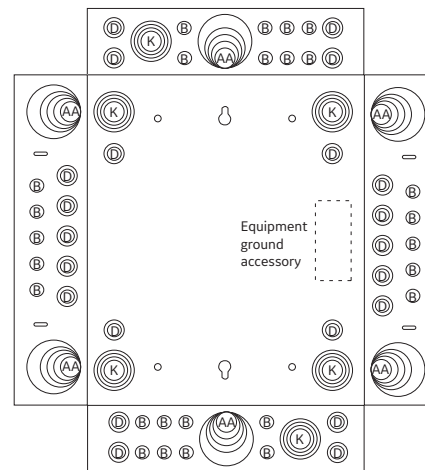
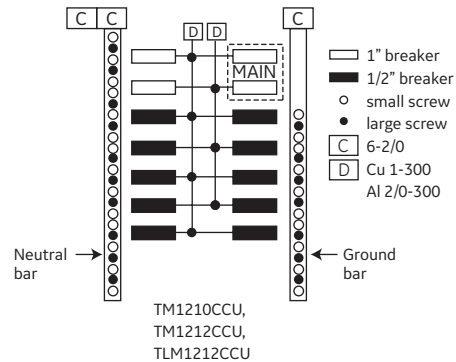
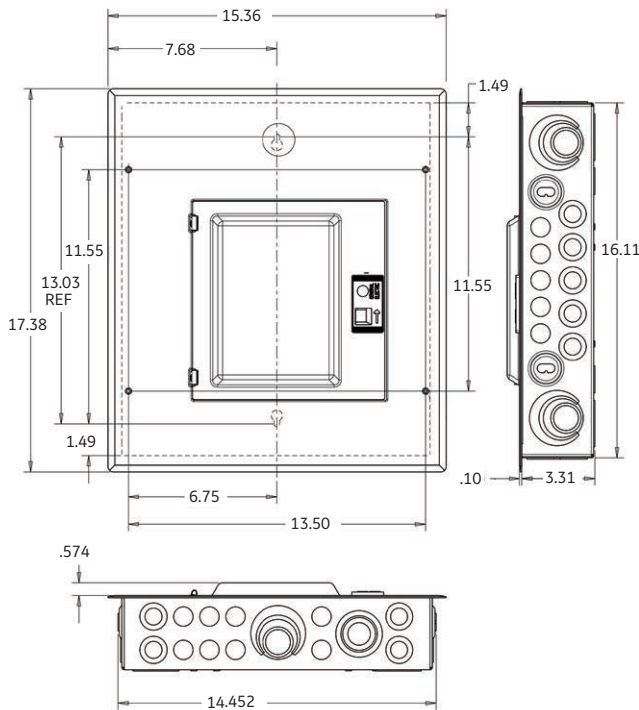
## Technical Data

### Indoor Type 1 Enclosure, Combination Flush/Surface Front

Main Ampere Rating	Maximum Spaces					Main Style (Factory Installed)	Enclosure				Cat. No.	Main Wire Size AWG/kcmil	Equipment Ground Kit <sup>1</sup>
	1" THQL		1/2" THQP		Total 1-pole Spaces		Box No.	Dimensions (in)					Cat. No.
	1P	2P	1P	2P				W	H	D			
125	14	6	20	8	24	Main Lugs	18	14	16	3 3/8	TLM1212CCU	6-2/0 Cu and Al TGL20 and TGL20 (order separately)	
	12	5	20	8	22	Main Breaker	18	14	16	3 3/8	TM1212CCU		
100	12	5	20	8	22	Main Breaker	18	14	16	3 3/8	TM1210CCU		



<sup>1</sup>Load center includes a factory installed ground bar and add-a-lug (see wiring diagram below). A separate TGL2 can be added if additional ground bar is required.



## Knockouts

Symbol	B	D	K	AA
Conduit Size (Inches)	1/2	1/2		
		3/4	3/4	3/4
			1	1
			1 1/4	1 1/4
			1 1/2	1 1/2
				2

GE Energy Connections  
41 Woodford Avenue  
Plainville, CT 06062  
1-800-431-7867  
www.geindustrial.com

\*Indicates a trademark of the General Electric Company and/or its affiliates. Information provided is subject to change without notice. Please verify all details with GE. All values are design or typical values when measured under laboratory conditions, and GE makes no warranty or guarantee, express or implied, that such performance will be obtained under end-use conditions. ©2016, General Electric Company and/or its affiliates. All rights reserved.  
12.16 DET-582B