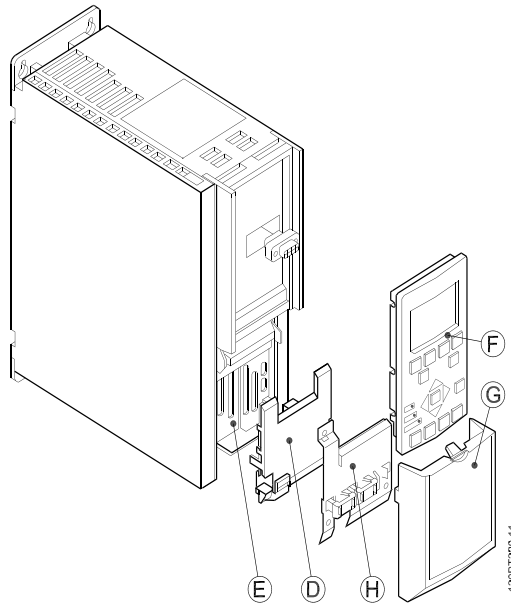




■ Mechanical Installation (OPC24VPS)



Follow these steps:

1. Remove the Keypad (F) or Blind Cover
2. Remove the Terminal Cover (G)
3. Remove the Cable Decoupling Plate (H) and the plastic cover underneath
4. Insert the 24 V DC Back-up External Supply Option (D) in the Option Slot (E)
5. Mount the Cable Decoupling Plate (H)
6. Attach the Terminal Cover (G) and the Keypad (F) or Blind Cover.

External 24 V DC Supply

You can use the external 24 V DC supply as low-voltage supply to the control card or any option card installed. This enables full operation of the Keypad (including the parameter setting) without connection to line voltage.

External 24 V DC supply specification	
Input voltage range:	24 V DC $\pm 15\%$ (max. 37 V in 10 s)
Max. input current:	2.2 A
Max. cable length:	75 m
Input capacitance load:	$\leq 110 \mu\text{F}$
Power-up delay:	$\leq 0.6 \text{ s}$

External 24 V DC Supply

An external 24 V DC supply can be installed for low-voltage supply to the control card and any option card installed. This enables full operation of the Keypad (including the parameter setting) without connection to line voltage.

External 24 V DC supply specification:

Input voltage range	24 V DC $\pm 15\%$ (max. 37 V in 10 s)
Max. input current	2.2 A
Average input current for AF-650 GP or AF-600 FP	0.9 A
Max. cable length	75 m
Input capacitance load	< 10 μF
Power-up delay	< 0.6 s

The inputs are protected.

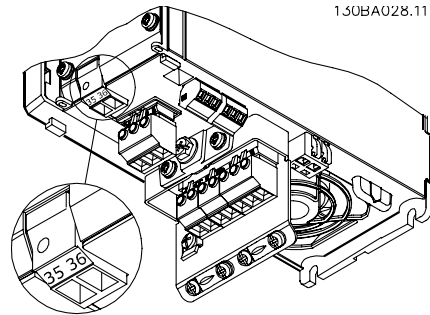
Terminal numbers:

Terminal 35: - external 24 V DC supply
Terminal 36: + external 24 V DC supply

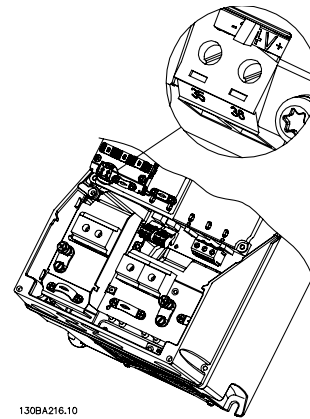
Follow these steps:

1. Remove the Keypad or Blind Cover
2. Remove the Terminal Cover
3. Remove the Cable Decoupling Plate and the plastic cover underneath
4. Insert the 24 V DC Back-up External Supply Option in the Option Slot
5. Mount the Cable Decoupling Plate
6. Attach the Terminal Cover and the Keypad or Blind Cover.

When 24 V External Supply option is supplying the control circuit, the internal 24 V supply is automatically disconnected.



Connection to 24 V External supply on Unit Sizes 12 and 13.



Connection to 24 V External supply on Unit Sizes 15, 21, 22, 31, 32 and above.

The instructions do not purport to cover all details or variations in equipment nor to provide for every possible contingency to be met in connection with installation, operation or maintenance. Should further information be desired or should particular problems arise which are not covered sufficiently for the purchaser's purposes, the matter should be referred to the GE company.

AF-650 GP and AF-600 FP are trademarks of the General Electric Company.

GE consumer & Industrial
41 Woodford Avenue
Plainville, CT 06062

www.geelectrical.com/drives



130R0144

imagination at work



* M I 3 3 0 1 2 2 *

DET-635