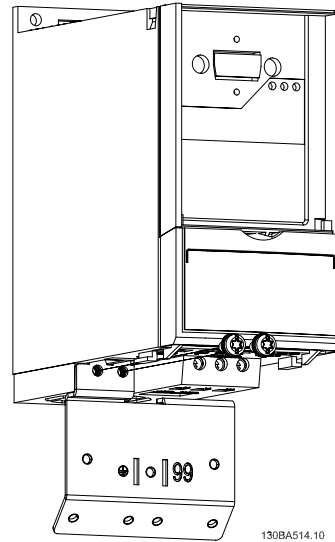




■ AF-60 LP™ De-coupling Plate Mounting Instruction

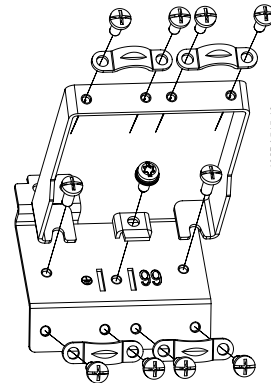
**Step 1**

Mount metal plate on drive and fasten with two screws. Tightening torque: 2 Nm



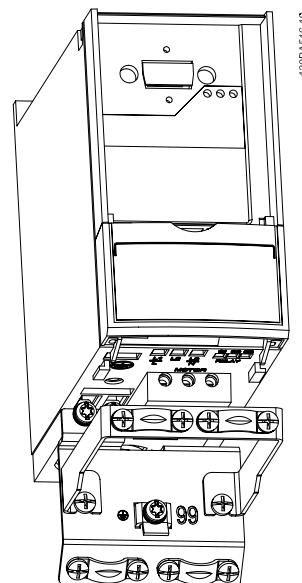
**Step 2**

Mount bracket on de-coupling plate



**Step 3**

AF-60 LP™ mounted with de-coupling plate



The instructions do not purport to cover all details or variations in equipment nor to provide for every possible contingency to be met in connection with installation, operation or maintenance. Should further information be desired or should particular problems arise which are not covered sufficiently for the purchaser's purposes, the matter should be referred to the GE company.

AF-60 LP is a trademark of the General Electric Company.

GE Consumer & Industrial  
41 Woodford Avenue  
Plainville, CT 06062

[www.geelectrical.com/drives](http://www.geelectrical.com/drives)

