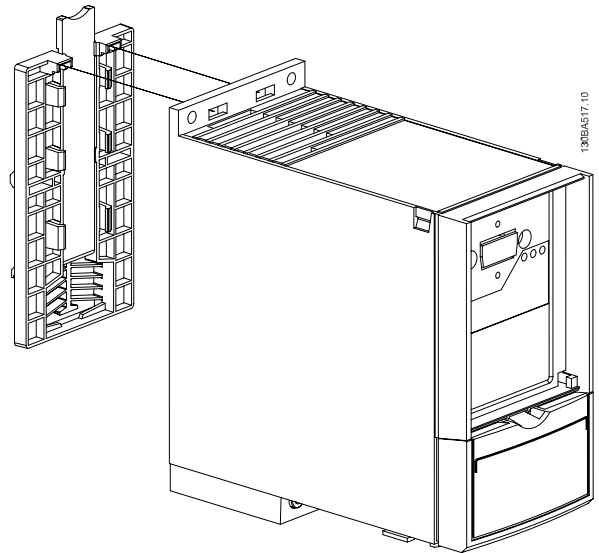




■ AF-60 LP™ DIN Rail Kit Mounting Instruction

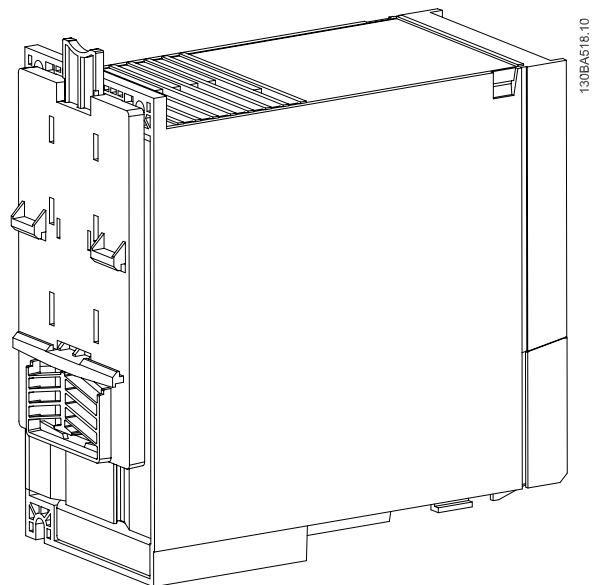
**Step 1**

Mount plastic part on drive



**Step 2**

Fit drive on DIN rail



The instructions do not purport to cover all details or variations in equipment nor to provide for every possible contingency to be met in connection with installation, operation or maintenance. Should further information be desired or should particular problems arise which are not covered sufficiently for the purchaser's purposes, the matter should be referred to the GE company.

AF-60 LP is a trademark of the General Electric Company.

GE Consumer & Industrial  
41 Woodford Avenue  
Plainville, CT 06062

[www.geelectrical.com/drives](http://www.geelectrical.com/drives)



imagination at work

132R0034



DET-643