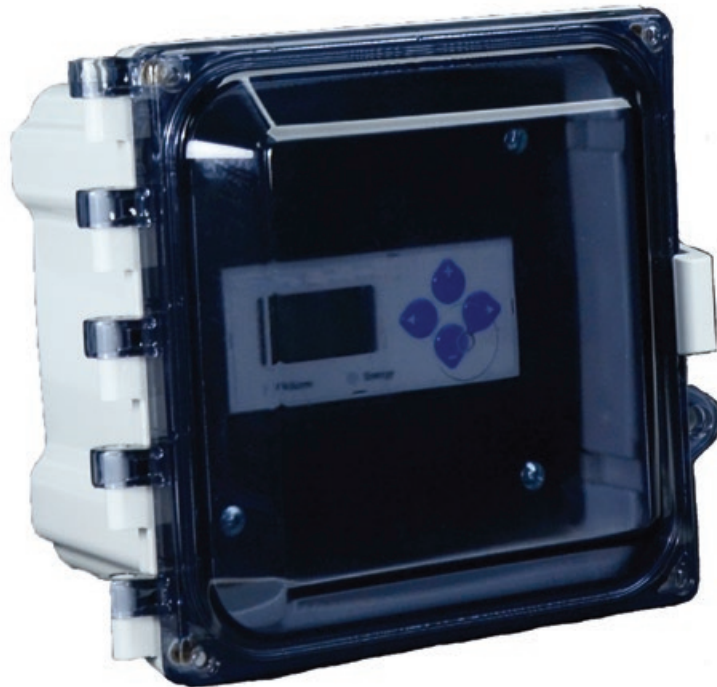


DET-809 Installation Instructions

# AMP1N4

Enclosure for AMP1 Series Energy Meters  
with Swing Panel Kit



# Safety

**FCC PART 15 INFORMATION NOTE:** This equipment has been tested by the manufacturer and found to comply with the limits for a class B digital device, pursuant to part 15 of the FCC Rules. These limits are designed to provide reasonable protection against harmful interference when the equipment is operated in a residential environment. This equipment generates, uses, and can radiate radio frequency energy and, if not installed and used in accordance with the instruction manual, may cause harmful interference to radio communications. This device complies with part 15 of the FCC Rules.

Operation is subject to the following two conditions:



- (1) This device may not cause harmful interference, and
- (2) This device must accept any interference received, including interference that may cause undesired operation.

Modifications to this product without the express authorization of the manufacturer nullify this statement.

A qualified person is one who has skills and knowledge related to the construction and operation of this electrical equipment and the installation, and has received safety training to recognize and avoid the hazards involved.

**NEC2011 Article 100:** No responsibility is assumed by manufacturer for any consequences arising out of the use of this material.

Control system design must consider the potential failure modes of control paths and, for certain critical control functions, provide a means to achieve a safe state during and after a path failure. Examples of critical control functions are emergency stop and over-travel stop.

	This symbol indicates an electrical shock hazard exists.
	Documentation must be consulted where this symbol is used on the product.

**DANGER: Hazard of Electric Shock, Explosion or Arc Flash**  
**Failure to follow these instructions will result in death or serious injury.**

- Follow safe electrical work practices. See NFPA 70E in the USA, or applicable local codes.
- This equipment must only be installed and serviced by qualified electrical personnel.
- Read, understand and follow the instructions before installing this product.
- Turn off all power supplying equipment before working on or inside the equipment.
- Use a properly rated voltage sensing device to confirm power is off. **DO NOT DEPEND ON THIS PRODUCT FOR VOLTAGE INDICATION**
- Only install this product on insulated conductors.

**NOTICE:**

- This product is not intended for life or safety applications.
- Do not install this product in hazardous or classified locations.
- The installer is responsible for conformance to all applicable codes
- Mount this product inside a suitable fire and electrical enclosure.

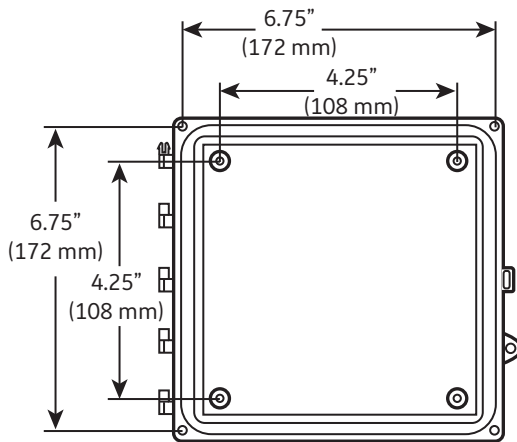
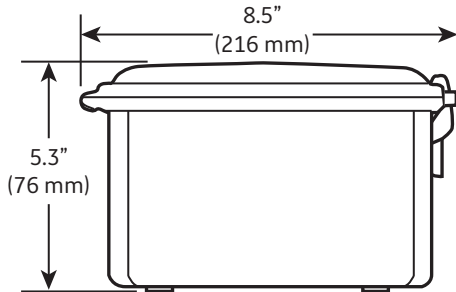
For troubleshooting or service related questions, contact GE at 1-800-GE-1-STOP (1-800-431-7867).

**Save These Instructions**

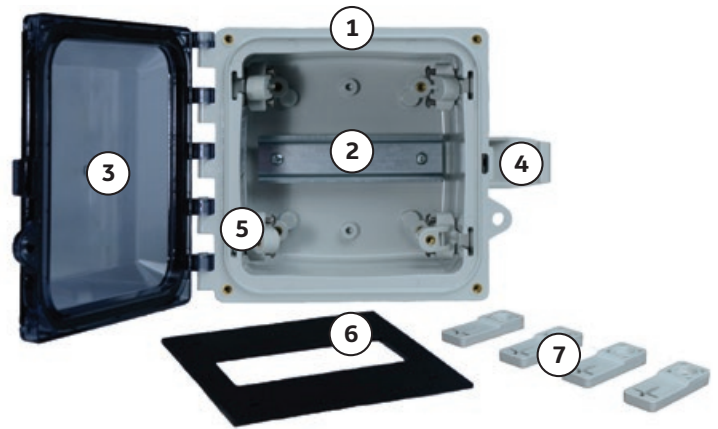
## Product Overview

The AMP1N4 enclosure offers a mounting option for AMP1 Series energy meters that helps protect from tampering and the elements. The enclosure is equipped with DIN rail mounting hardware for easy installation and a NEMA 4X rating for durability. The swing panel kit and multiple locking options provide additional security from unwanted tampering.

## Dimensions



## Product Components



1. Enclosure
2. DIN rail
3. Hinged lid
4. Clasp
5. Brackets for swing panel cover
6. Swing panel cover
7. Mounting feet

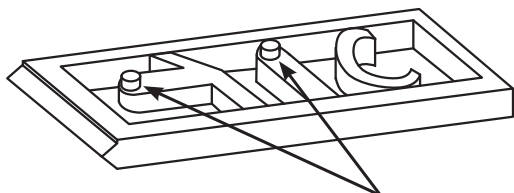
(Hardware not pictured)

# Installation

## 1. Install DIN rail clips to the back of the AMP1 meter

The AMP1 meter is shipped with a set of three DIN rail clips included. Insert these clips into the slots on the back of the housing from the middle, moving outward. Stopping pegs must face the underside of the housing. Push the clips into place until there is an audible click.

DIN Rail clip (included with AMP1 meter)



When attaching the clips to the underside of the AMP1 meter, these stopping pegs must face inward towards the meter housing. Set pegs into the available slots on the meter, with the beveled side of the clip facing toward the center of the meter.



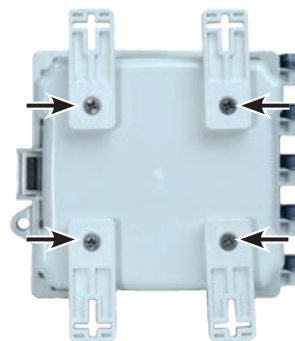
When all clips are in place, the white clips must be flush with the top edge of the housing, and the black clip must protrude slightly past the bottom edge.



## 2. Mount the AMP1N4 enclosure to a wall or panel

Cut holes in the enclosure for wire conduit connections prior to the installation of the meter in the enclosure. After running the wiring, seal all holes properly to maintain the enclosure rating. If using metallic conduit, bonding between the conduit connections is not automatic and must be provided as a part of the installation.

Take care to protect the equipment from drill chips, filings, and other contaminants when making the wire entry holes and mounting the enclosure to prevent component damage or a future malfunction.



Use the included mounting hardware to attach the mounting feet to the enclosure. Then mount the enclosure to the wall or panel using either a 4-point or 2-point configuration (hardware for mounting to the wall/panel is provided by the installer). The 4-point configuration is shown here. For a 2-point configuration, mount the feet as shown, but rotate the bottom feet 180° so they are flush against the back of the enclosure.

- 3. Install the AMP1 meter onto DIN rail inside the AMP1N4**  
 Run meter wiring through the holes drilled previously.  
 Wire the meter according to the instructions in the meter installation guide.

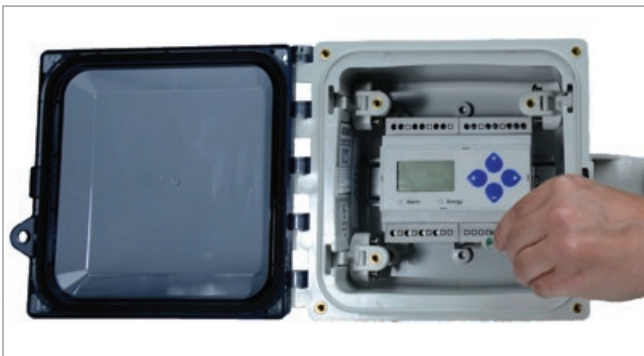
Push the top of the meter onto the DIN rail.



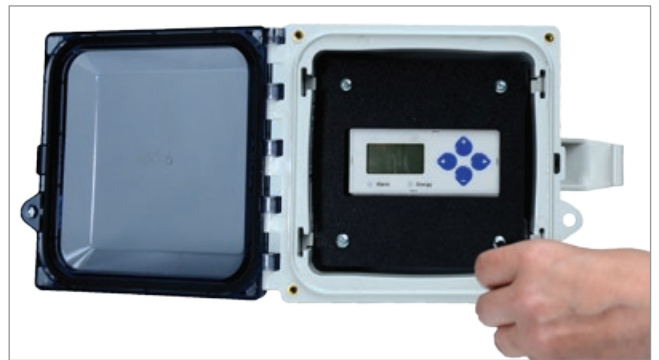
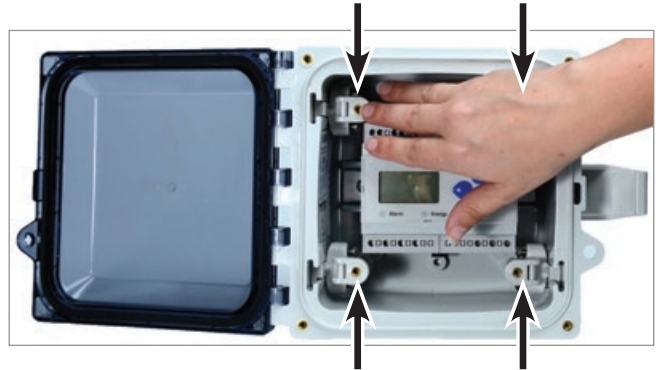
Push the bottom of the meter onto the DIN rail until there is an audible click.



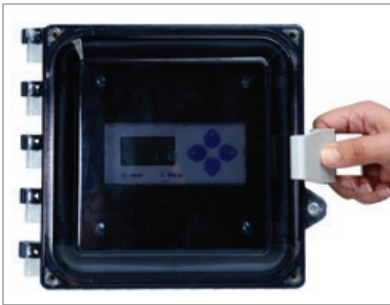
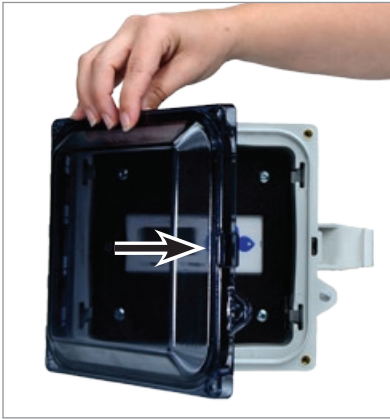
If necessary, remove the meter from the DIN rail using a flat screwdriver to pry out the bottom (black) clip while lifting out the bottom of the meter



Lower the four brackets so that the swing panel cover can be attached using the enclosed hardware.



Close the hinged lid and secure the clasp to close.



Screws are provided to secure the hinged lid. Local codes may require this step to prevent opening by unauthorized persons if a locking mechanism is not used. For added security, the installer may attach a locking mechanism.



Optional: Use included hardware to secure the hinged lid at all four corners.

Optional: Attach locking mechanism here (not included)

For troubleshooting or service related questions, contact GE at 1-800-GE-1-STOP (1-800-431-7867).

**Save These Instructions**





## Imagination at work

GE  
41 Woodford Avenue  
Plainville, CT 06062  
[www.geindustrial.com](http://www.geindustrial.com)

© 2016 General Electric Company

\* Indicates a trademark of the General Electric Company and/or its subsidiaries.

Information provided is subject to change without notice. Please verify all details with GE. All values are design or typical values when measured under laboratory conditions, and GE makes no warranty or guarantee, express or implied, that such performance will be obtained under end-use conditions.

DET-809 0616