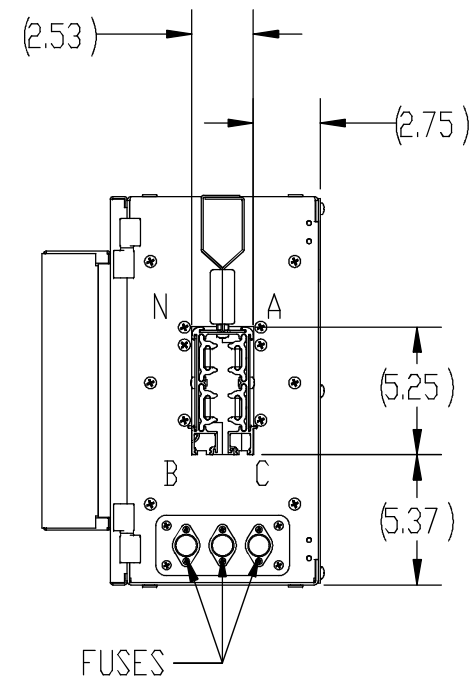
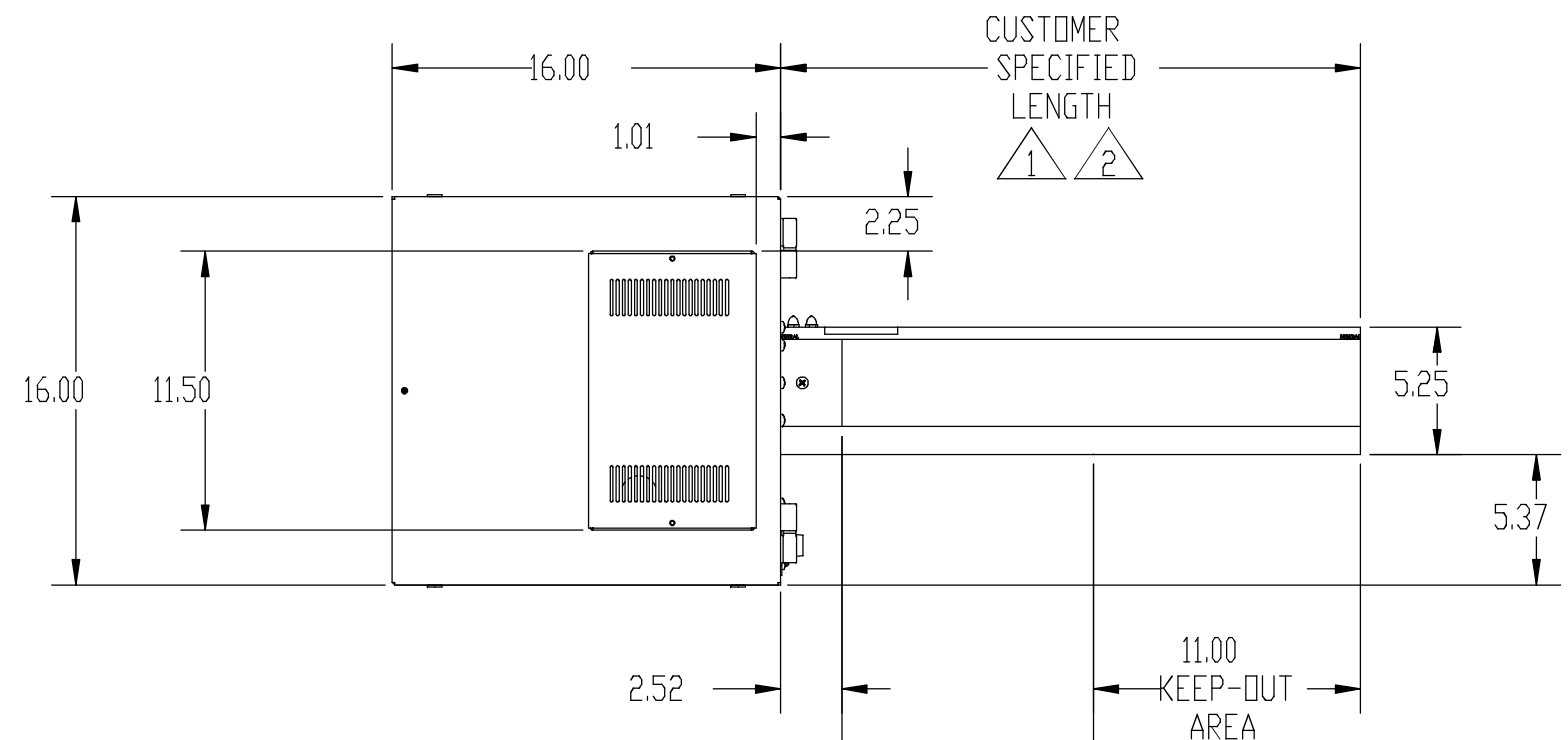
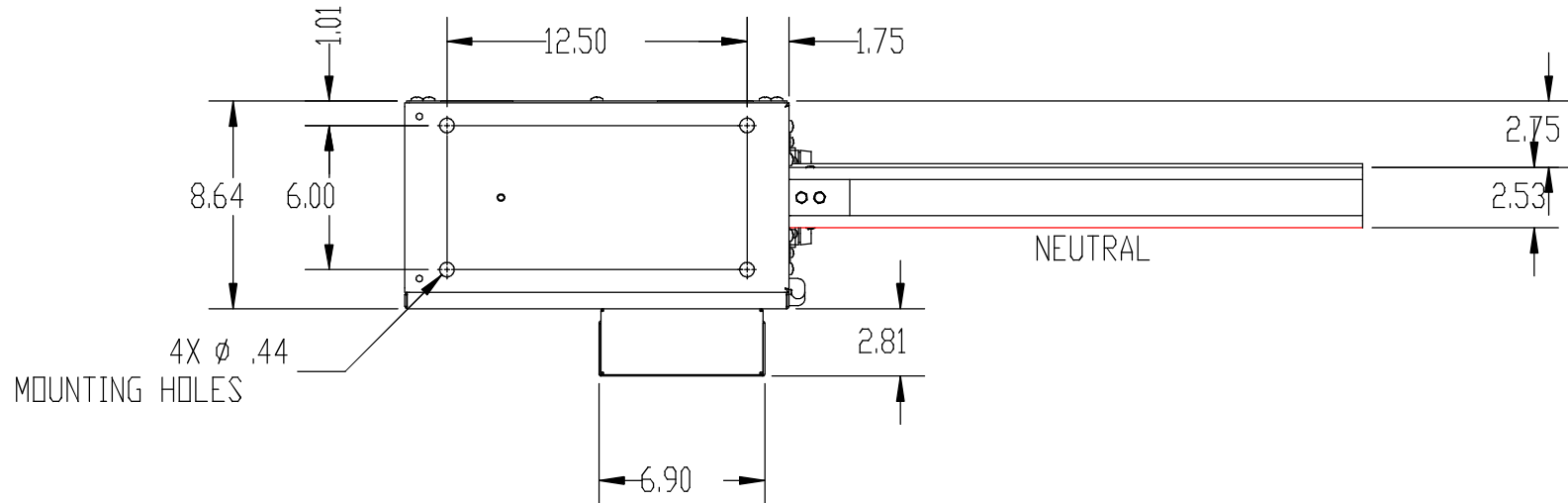


REVISIONS					
REV	SHT	ZN	DESCRIPTION	DATE	DRW APPR



NOTES: UNLESS OTHERWISE SPECIFIED

1 STANDARD LENGTH = 12.0". NO TAP-OFF BOX INSTALL AREA AVAILABLE.

2 FOR LENGTHS LONGER THAN 24.0", HANGERS REQUIRED. GE ENGINEERING TO SPECIFY QUANTITY DEPENDENT ON LENGTH.

UNLESS OTHERWISE SPECIFIED: DIMENSIONS ARE IN INCHES TOLERANCES: ANGULAR: ±2° TWO PLACE DECIMAL ±0.02 THREE PLACE DECIMAL ±0.005	THIS DRAWING CONTAINS CONFIDENTIAL & PROPRIETARY INFORMATION AND SHALL NOT BE DISCLOSED OR COPIED WITHOUT THE EXPRESSED, WRITTEN PERMISSION OF GENERAL ELECTRIC CO.		 GE ZENITH SERIES DPB DISTRIBUTED POWER BUSWAY <b>GE Critical Power</b>	
	USED ON	 THIRD ANGLE PROJECTION	DO NOT SCALE DRAWING	TITLE: SUBMITTAL DRAWING, 100A-250A LH EF W/ COMM., BUSWAY
MATERIAL:	DESIGNED	DATE	SIZE B	DWG. NO.
FINISH:	CHECKED		REV X1	
WEIGHT:	ENG. APPR.		SCALE:	PART NO.
	MFG. APPR.			SHEET 1 OF 1