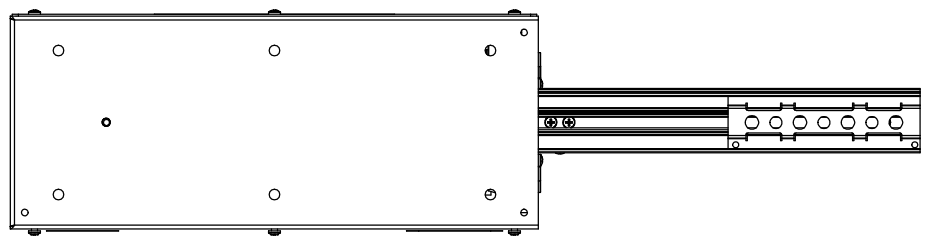
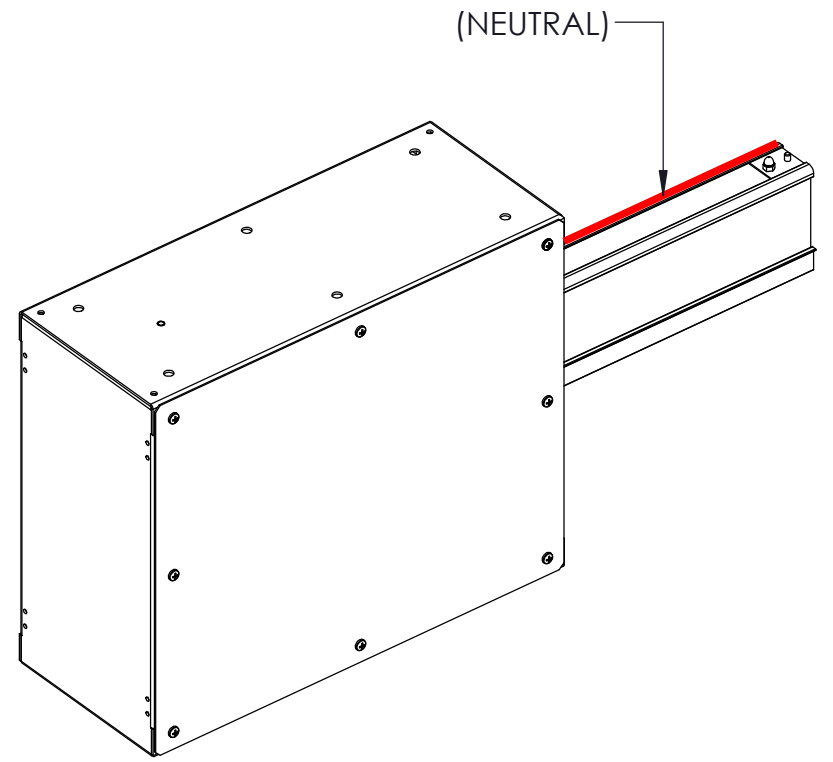
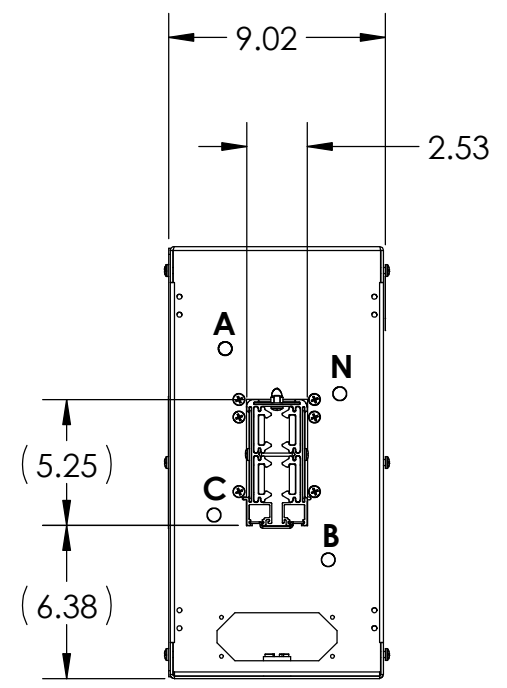
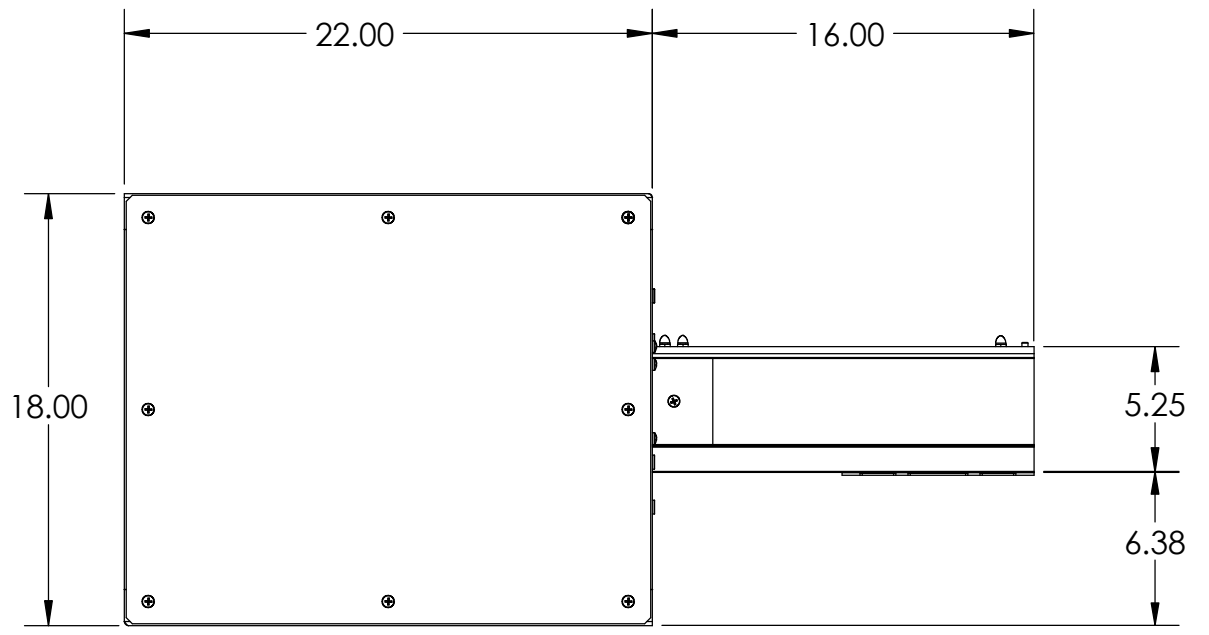
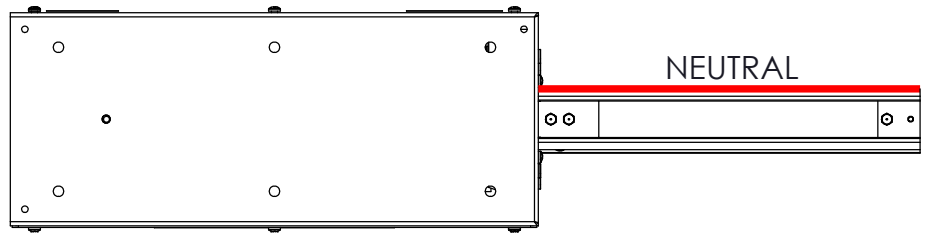


8 7 6 5 4 3 2 1

REVISIONS					
REV	SHT	ZN	DESCRIPTION	DATE	DRW APPR
△			INITIAL RELEASE	1/23/2013	PKK



UNLESS OTHERWISE SPECIFIED: DIMENSIONS ARE IN INCHES TOLERANCES: ANGULAR: ±2° TWO PLACE DECIMAL ±0.02 THREE PLACE DECIMAL ±0.005	THIS DRAWING CONTAINS CONFIDENTIAL & PROPRIETARY INFORMATION AND SHALL NOT BE DISCLOSED OR COPIED WITHOUT THE EXPRESSED, WRITTEN PERMISSION OF GENERAL ELECTRIC CO.		ZENITH SERIES DPB DISTRIBUTED POWER BUSWAY GE Critical Power	
	USED ON	THIRD ANGLE PROJECTION	DO NOT SCALE DRAWING	
	APPROVALS		DATE	
	DRAWN PK KABEESYPHA			1/23/13
MATERIAL:	DESIGNED			
FINISH:	CHECKED			
	ENG. APPR.			
WEIGHT:	MFG. APPR.			
		SIZE B	DWG. NO. GE-400A-EF-RH	REV A
		SCALE: 1:4	PART NO.	SHEET 1 OF 1

8 7 6 5 4 3 2 1