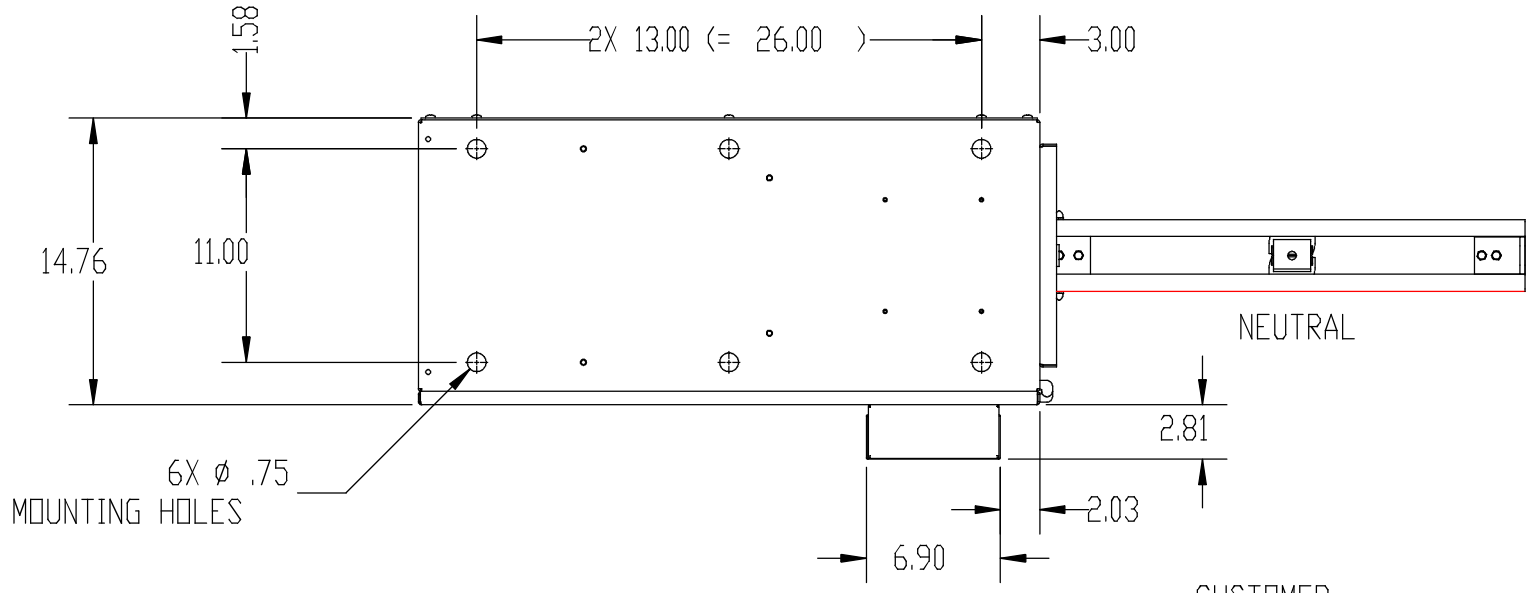
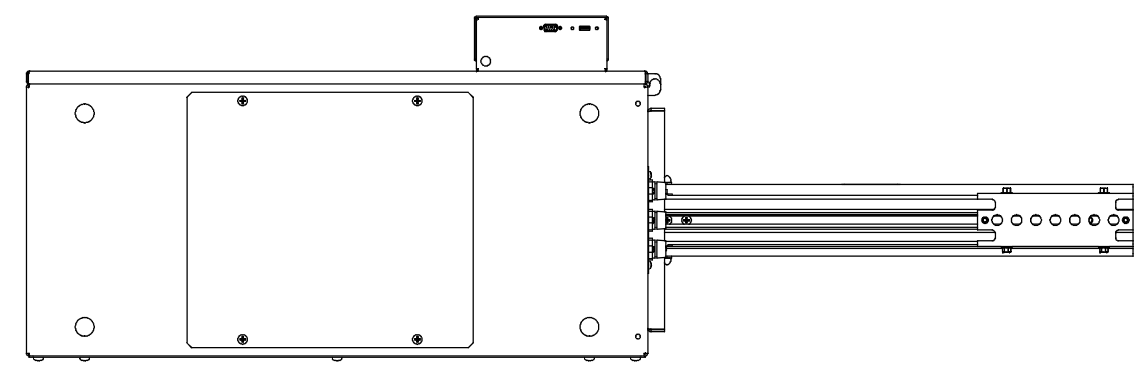
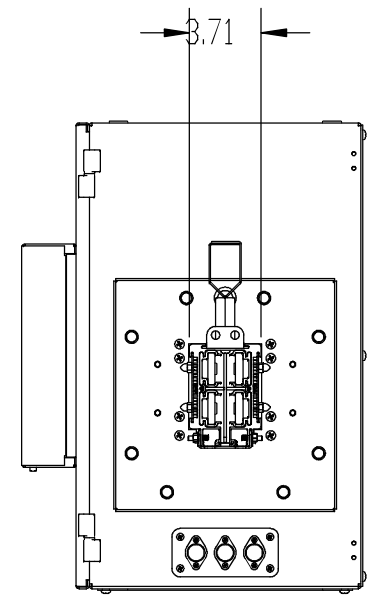
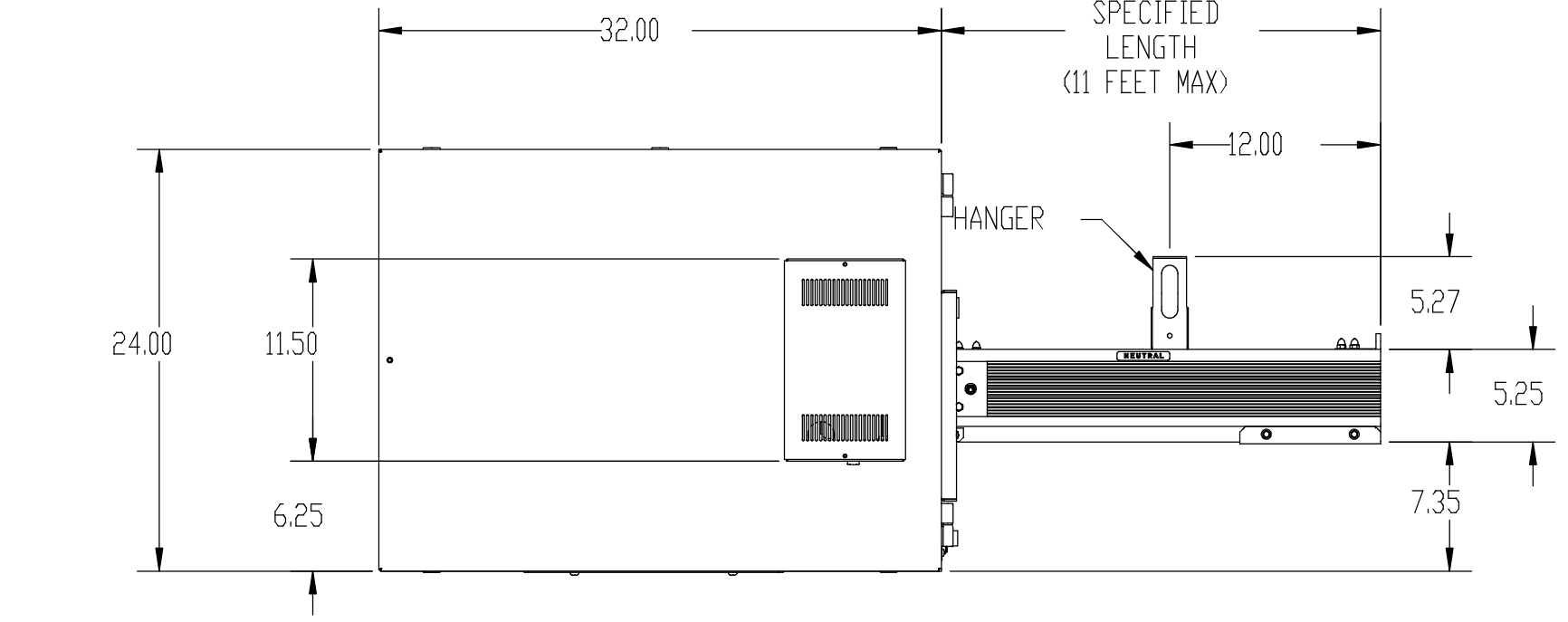


| REVISIONS | | | | | |
|-----------|-----|----|-------------|------|------|
| REV | SHT | ZN | DESCRIPTION | DATE | APPR |
| | | | | | |



NOTES: UNLESS OTHERWISE SPECIFIED

1 WEIGHT WITH A 25" NOSE RAIL AS SHOWN - 145 POUNDS.
ADD 16 POUNDS PER FOOT FOR CUSTOM LENGTH
NOSE RAIL.



| | | | | | |
|---|---|----------------------------|---|---|-----|
| UNLESS OTHERWISE SPECIFIED: DIMENSIONS ARE IN INCHES TOLERANCES: ANGULAR: ±2° TWO PLACE DECIMAL ±0.02 THREE PLACE DECIMAL ±0.005 | THIS DRAWING CONTAINS CONFIDENTIAL & PROPRIETARY INFORMATION AND SHALL NOT BE DISCLOSED OR COPIED WITHOUT THE EXPRESSED, WRITTEN PERMISSION OF GENERAL ELECTRIC CO. | | GE ZENITH SERIES DPB DISTRIBUTED POWER BUSWAY GE Critical Power | | |
| | USED ON | THIRD ANGLE PROJECTION | DO NOT SCALE DRAWING | TITLE: END FEED, 800A, LH, BCMS, BUSWAY | |
| MATERIAL: | APPROVALS | DATE | SIZE B | DWG. NO. HPW-800-4PG-EF-LH-COM | REV |
| FINISH: | DRAWN | | SCALE: | PART NO. | |
| WEIGHT: | DESIGNED | | | | |
| | CHECKED | | | | |
| | ENG. APPR. | | | | |
| | MFG. APPR. | | | | |

1