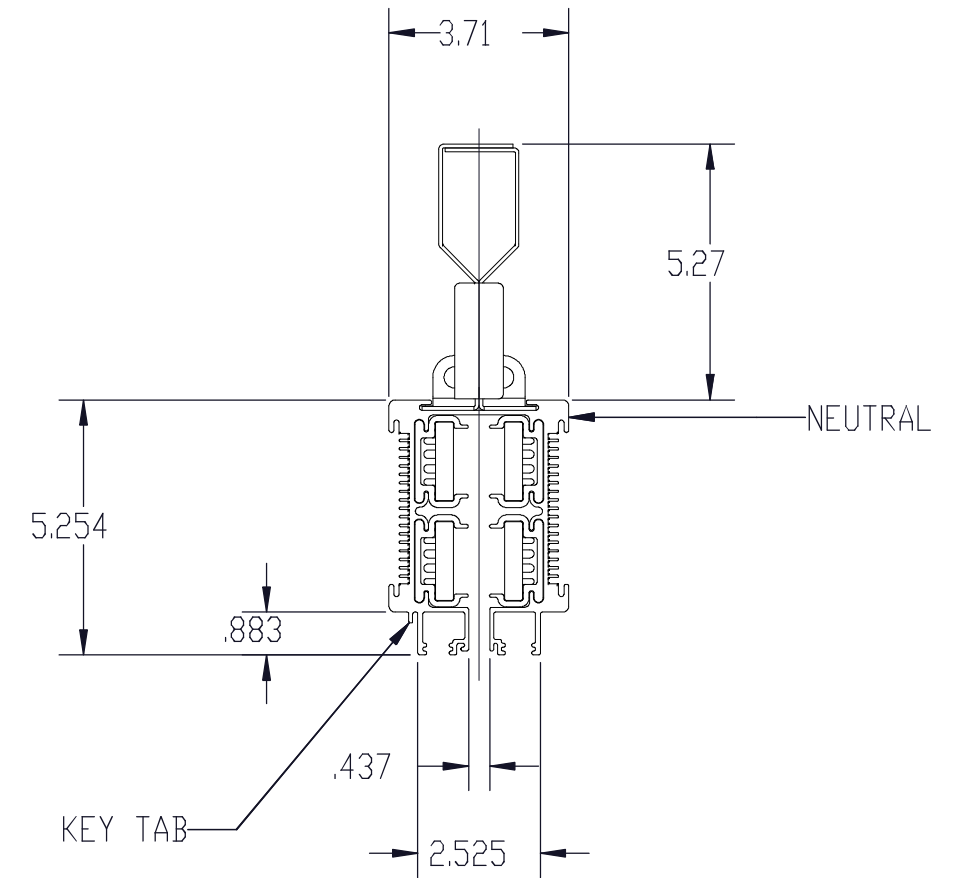
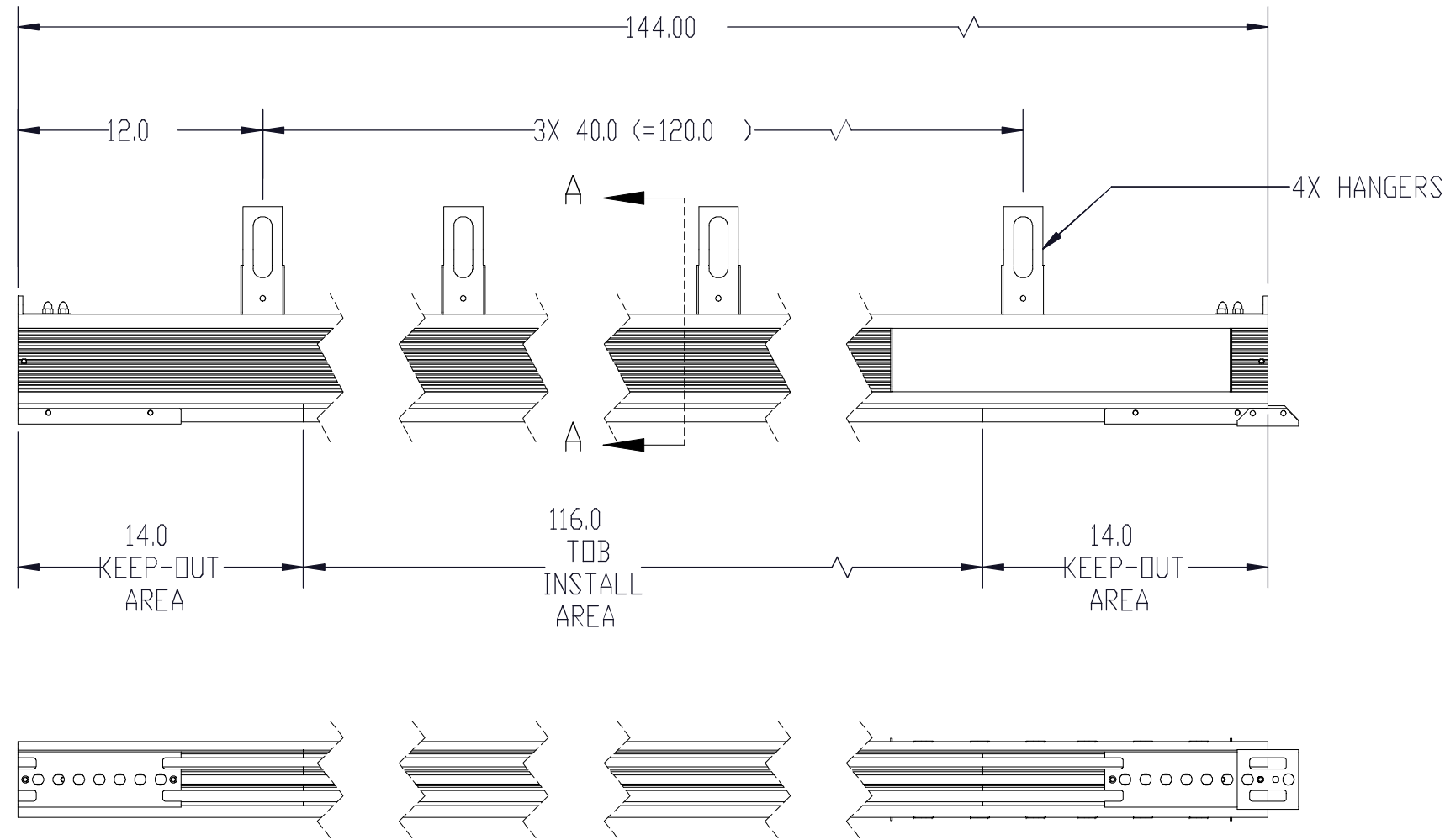





REVISIONS					
REV	SHT	ZN	DESCRIPTION	DATE	DRW APPR



SECTION A-A  
SCALE 1 : 4

NOTES: UNLESS OTHERWISE SPECIFIED

1. WEIGHT: 16.25 POUNDS PER FOOT.

UNLESS OTHERWISE SPECIFIED: DIMENSIONS ARE IN INCHES TOLERANCES: ANGULAR: ±2° TWO PLACE DECIMAL ±0.02 THREE PLACE DECIMAL ±0.005	THIS DRAWING CONTAINS CONFIDENTIAL & PROPRIETARY INFORMATION AND SHALL NOT BE DISCLOSED OR COPIED WITHOUT THE EXPRESSED, WRITTEN PERMISSION OF GENERAL ELECTRIC CO.		 <b>GE Critical Power</b> GE ZENITH SERIES DPB DISTRIBUTED POWER BUSWAY	
	USED ON	 DO NOT SCALE DRAWING	TITLE: SUBMITTAL DRAWING, RAIL, 800A, BUSWAY	
	APPROVALS		DATE	
	DRAWN			
MATERIAL:	DESIGNED			
FINISH:	CHECKED			
	ENG. APPR.			
WEIGHT: 	MFG. APPR.			
	SCALE: 1:8	PART NO.		SHEET 1 OF 3