

8

7

6

5

4

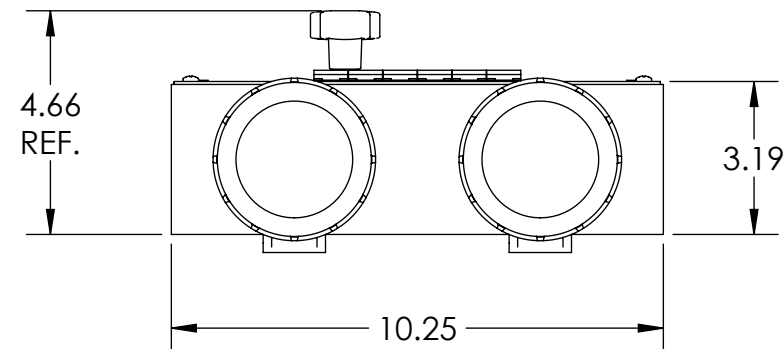
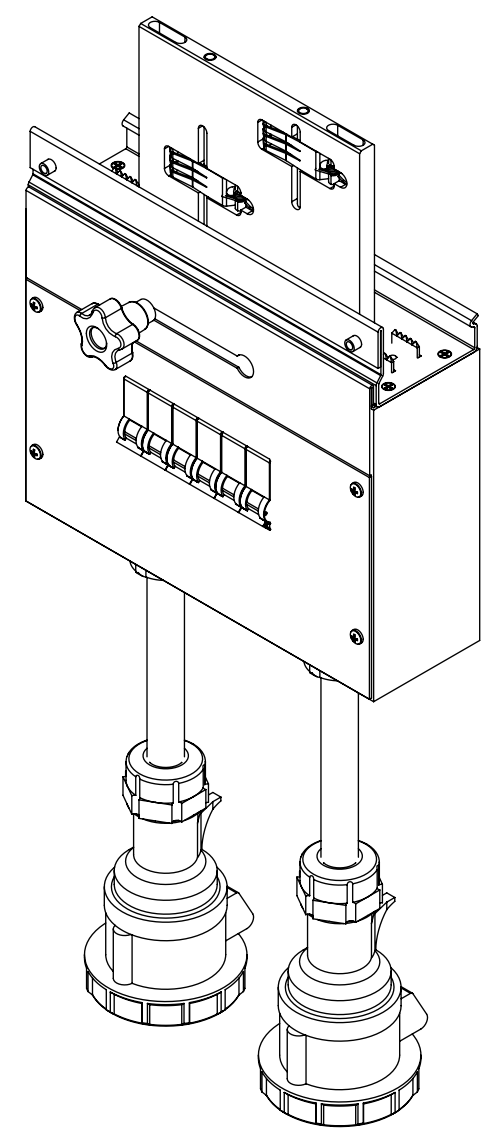
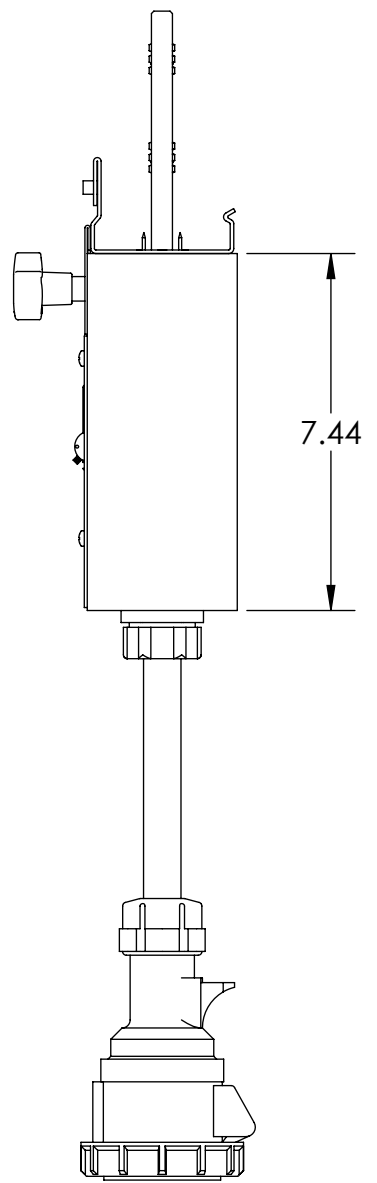
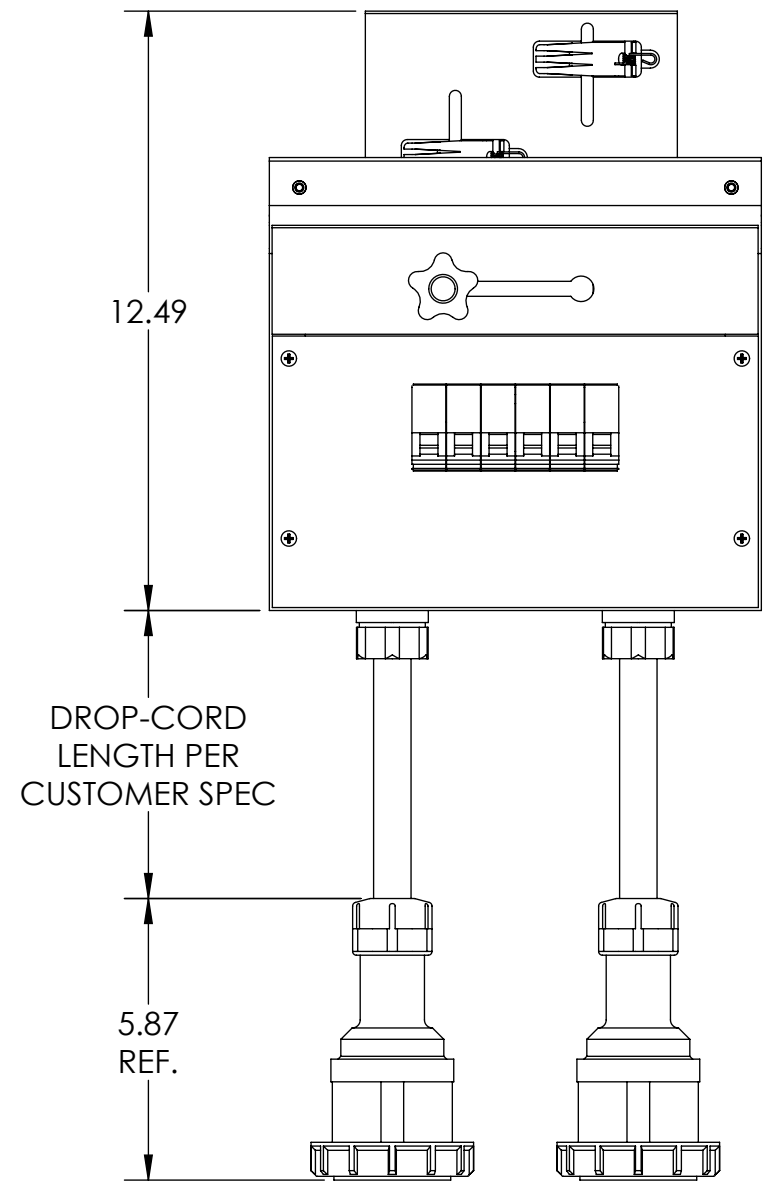
3

2

1

REVISIONS

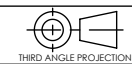
REV	SHT	ZN	DESCRIPTION	DATE	DRW	APPR
△			INITIAL RELEASE	1/23/2013	AFM	AFM



UNLESS OTHERWISE SPECIFIED:
 DIMENSIONS ARE IN INCHES
 TOLERANCES:
 ANGULAR: ±2°
 TWO PLACE DECIMAL ±0.02
 THREE PLACE DECIMAL ±0.005

THIS DRAWING CONTAINS
 CONFIDENTIAL & PROPRIETARY
 INFORMATION AND SHALL NOT
 BE DISCLOSED OR COPIED
 WITHOUT THE EXPRESSED,
 WRITTEN PERMISSION OF
 GENERAL ELECTRIC CO.

 ZENITH SERIES DPB
 DISTRIBUTED POWER BUSWAY
GE Critical Power

USED ON		DO NOT SCALE DRAWING
APPROVALS		DATE
DRAWN	A. MIOTKE	1/23/13
DESIGNED	A. MIOTKE	1/23/13
CHECKED		
ENG. APPR.		
MATERIAL:		
FINISH:		
WEIGHT:		
MFG. APPR.		

TITLE:
TAP OFF BOX
(2) 532C6W, (2) 32A 3-POLE

SIZE	DWG. NO.	REV
B	GE-DPB-TOB-6	A

SCALE: 1:4 PART NO. SHEET 1 OF 1

8

7

6

5

4

3

2

1