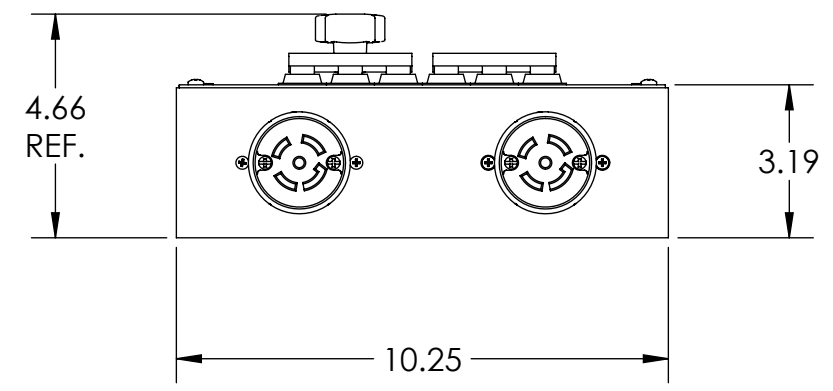
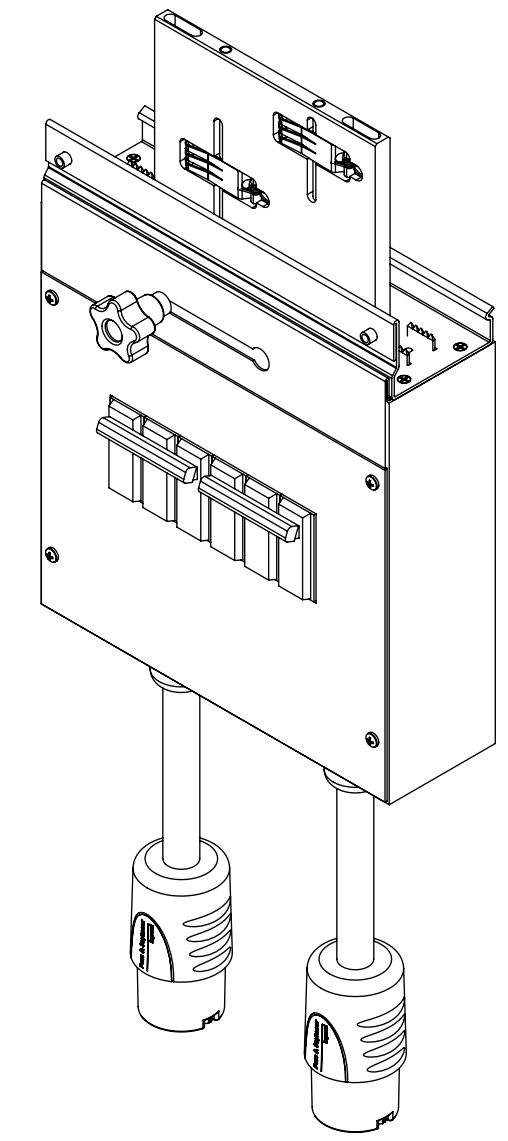
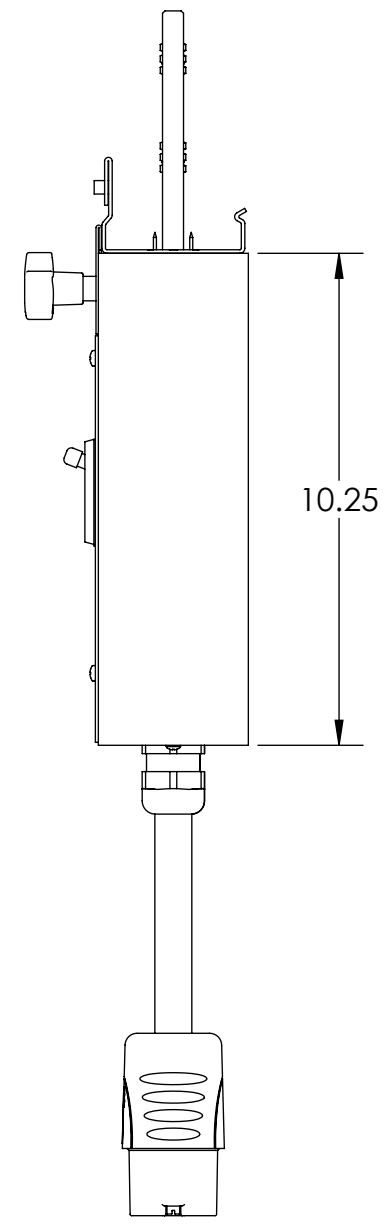
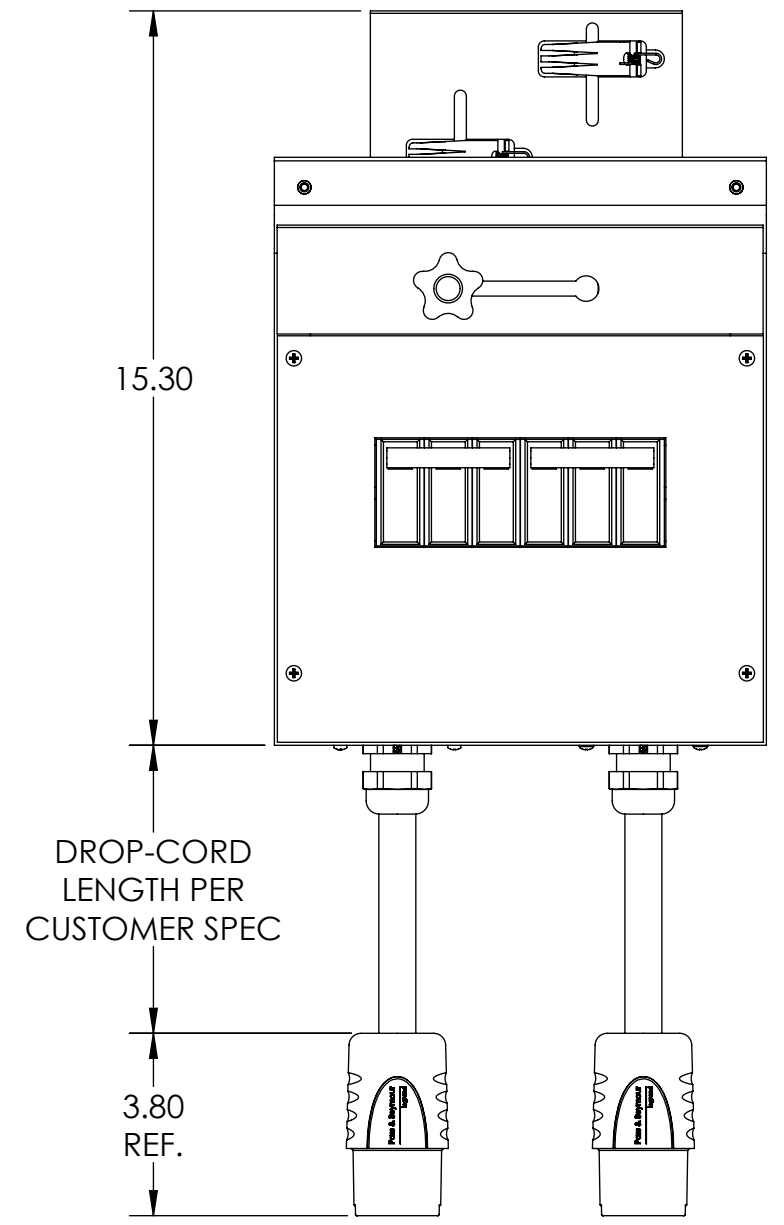

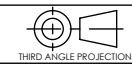


REVISIONS					
REV	SHT	ZN	DESCRIPTION	DATE	DRW APPR
△			INITIAL RELEASE	1/23/2013	AFM AFM



UNLESS OTHERWISE SPECIFIED: DIMENSIONS ARE IN INCHES TOLERANCES: ANGULAR: ±2° TWO PLACE DECIMAL ±0.02 THREE PLACE DECIMAL ±0.005	THIS DRAWING CONTAINS CONFIDENTIAL & PROPRIETARY INFORMATION AND SHALL NOT BE DISCLOSED OR COPIED WITHOUT THE EXPRESSED, WRITTEN PERMISSION OF GENERAL ELECTRIC CO.		 <b>ZENITH SERIES DPB DISTRIBUTED POWER BUSWAY</b>				
	USED ON	 THIRD ANGLE PROJECTION	DO NOT SCALE DRAWING	<b>TITLE:</b> <b>TAP OFF BOX</b> <b>(2) L21-30C, (2) 30A 3-POLE</b>			
MATERIAL:	DESIGNED	A. MIOTKE	DATE	1/23/13	SIZE	DWG. NO.	REV
FINISH:	CHECKED				<b>B</b>	<b>GE-DPB-TOB-3</b>	<b>A</b>
WEIGHT:	ENG. APPR.				SCALE: 1:4	PART NO.	SHEET 1 OF 1
	MFG. APPR.						