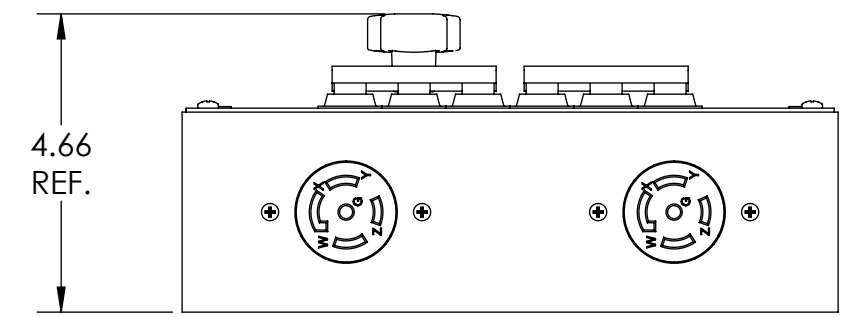
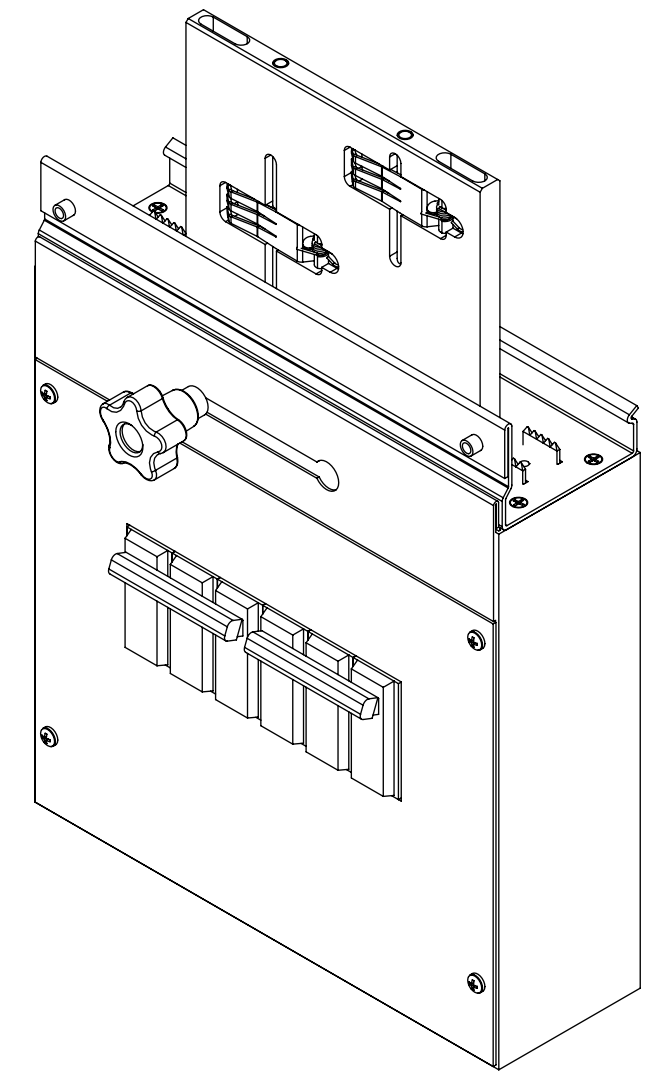
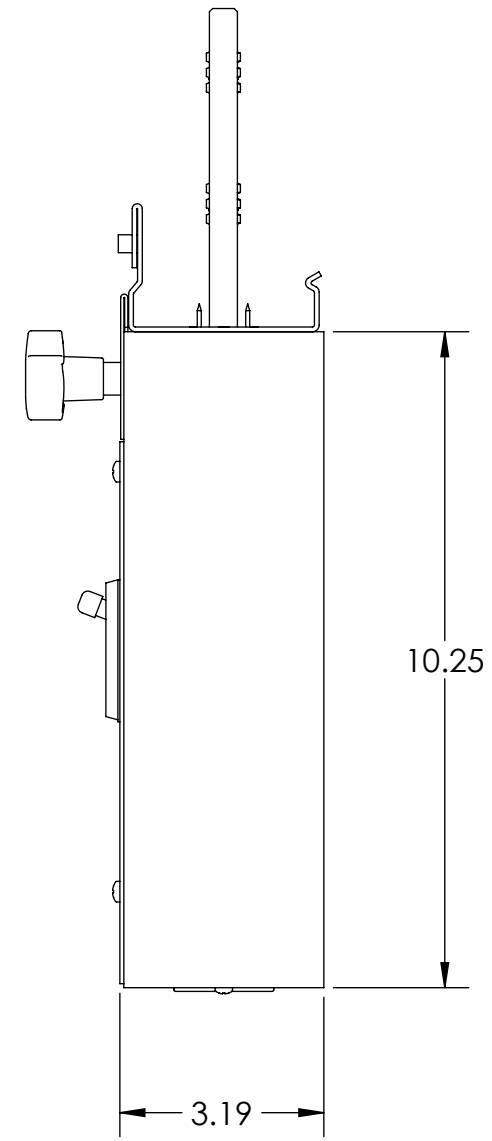
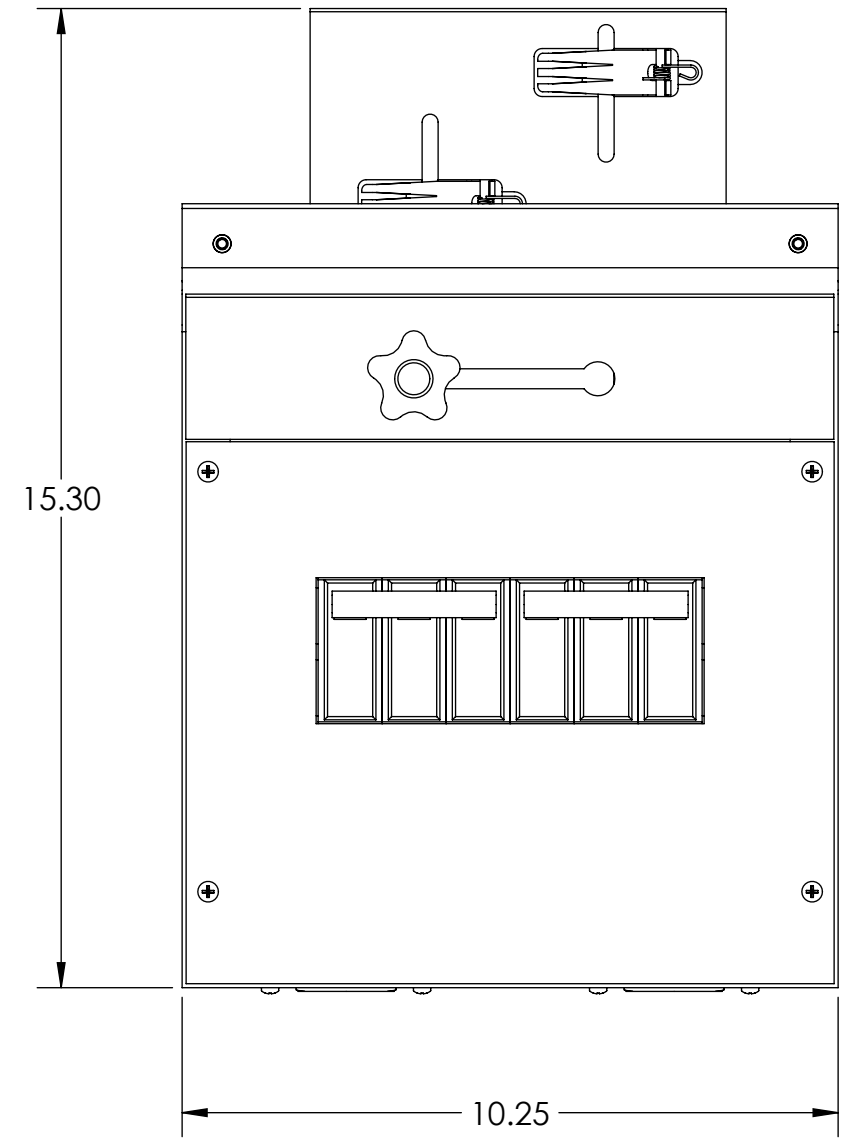

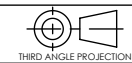


8 7 6 5 4 3 2 1

REVISIONS					
REV	SHT	ZN	DESCRIPTION	DATE	DRW APPR
△			INITIAL RELEASE	1/23/2013	AFM AFM



UNLESS OTHERWISE SPECIFIED: DIMENSIONS ARE IN INCHES TOLERANCES: ANGULAR: ±2° TWO PLACE DECIMAL ±0.02 THREE PLACE DECIMAL ±0.005	THIS DRAWING CONTAINS CONFIDENTIAL & PROPRIETARY INFORMATION AND SHALL NOT BE DISCLOSED OR COPIED WITHOUT THE EXPRESSED, WRITTEN PERMISSION OF GENERAL ELECTRIC CO.		 <b>ZENITH SERIES DPB DISTRIBUTED POWER BUSWAY</b>	
	 <b>DO NOT SCALE DRAWING</b>		<b>GE Critical Power</b>	
USED ON	APPROVALS		TITLE:	
	DRAWN	A. MIOTKE	DATE	(2) L21-30R, (2) 30A 3-POLE
	DESIGNED	A. MIOTKE	1/23/13	
MATERIAL:	CHECKED		SIZE	DWG. NO.
FINISH:	ENG. APPR.		<b>B</b>	<b>GE-DPB-TOB-1</b>
WEIGHT:	MFG. APPR.		SCALE: 1:3	REV <b>A</b>
			PART NO.	SHEET 1 OF 1

8 7 6 5 4 3 2 1