

# 12IR150 and 12IR150LP High Power Density Batteries

## Features

- Front access terminals allow easy and safe installation
- Tank formed plates ensure uniform and matching voltage
- Epoxy-sealed, lead-tin terminal posts prevent leaks and prolong life
- Low calcium, high tin positive grids ensure long-term reliability
- Epoxy-coated steel jacket helps dissipate heat and provides structural rigidity
- Absorbed Glass Mat (AGM) separators immobilize electrolyte
- Heat-sealed container and cover provides reliable seal
- Self sealing safety valves with flame arrestor



More power and less weight  
in the same space as the  
popular 12IR125 battery.

## Specifications

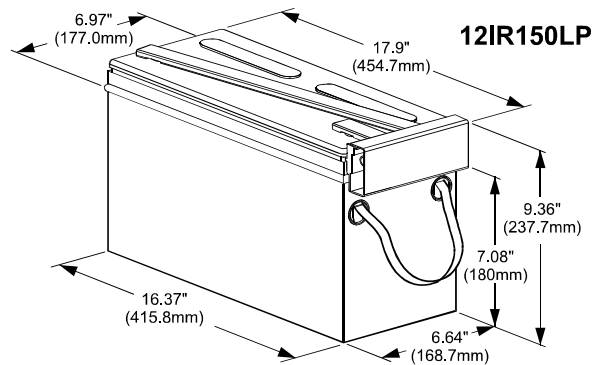
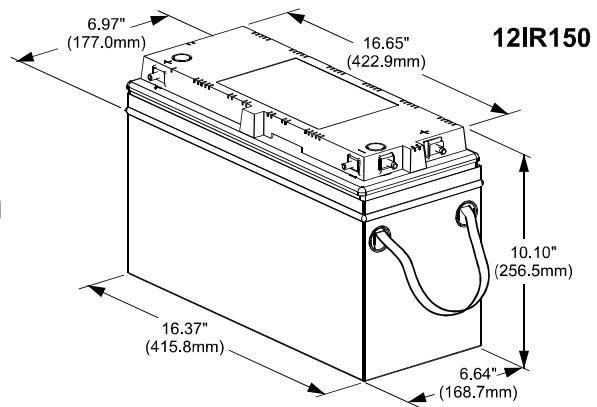
Battery Model	Nominal Voltage	Ampere Hours*		Length	Width	Height	Weight	Comcode
		8-Hour Rate	10-Hour Rate					
12IR150	12V	145	150	16.82 in. 427.2 mm	6.97 in. 177.0 mm	10.10 in. 256.5 mm	100 lbs. 45.4 kg	408520663
12IR150LP	12V	145	150	17.90 in. 454.7 mm	6.97 in. 177.0 mm	9.36 in. 237.7 mm	100 lbs. 45.4 kg	408520671

\*Ampere-Hour ratings are determined based on a discharge to 1.75 volts per cell. Nominal battery float voltage is 13.5V.

**Discharge Capacities in Ampere-Hours at 25°C (77°F)**

End Voltage V (VPC)	1 Hr.	3 Hr.	5 Hr.	8 Hr.	10 Hr.	15 Hr.	20 Hr.	24 Hr.
11.40 (1.90)	72	102	115	125	131	138	143	145
11.28 (1.88)	76	107	120	131	137	144	149	151
11.16 (1.86)	80	112	125	136	142	150	155	157
11.04 (1.84)	84	115	128	140	145	153	158	161
10.92 (1.82)	87	117	130	142	147	154	159	161
10.80 (1.80)	89	119	132	144	149	155	160	162
10.50 (1.75)	94	122	133	145	150	157	162	164

- Voltage:** 12 Volts
- Capacity:** 150 Ah at 10-hr rate  
145 Ah at 8-hr rate
- Float Voltage:** 13.5 V/battery (2.25 V/cell) nominal
- Float Life:** 10 years at 25°C (77°F)
- Container and Cover:** Flame-retardant polypropylene
- Outer Case:** Acid-resistant, coated steel
- Flammability Rating:** UL94 V-0, LOI>28%
- Electrolyte Volume:** 2.17 gal. (8.22 L)
- Acid Volume:** 0.62 gal. (2.34 L)
- Specific Gravity:** 1.300
- CPR Number:** 206153 (12IR150)  
206154 (12IR150LP)



**LINEAGE POWER**

World Wide Headquarters  
3000 Skyline Drive, Mesquite, TX 75149, USA

+1-800-843-1797  
Outside U.S.A.: +1-972-284-2626

<http://www.lineagepower.com>  
e-mail: [techsupport1@lineagepower.com](mailto:techsupport1@lineagepower.com)

©2008 Lineage Power. Lineage Power reserves the right to make changes to the product(s) or information contained herein without notice. No liability is assumed as a result of their use or application. No rights under any patent accompany the sale of any such product(s) or information.