

GALAXY Switchmode Rectifier 595LT Series

***Model 595LTA: -48 Vdc, 220 Adc, 380/400/480 Vac
Model 595LTB: -48 Vdc, 220 Adc, 208/220/240 Vac***



The new GALAXY Switchmode Rectifier 595LT Series provides highest quality dc power for telecommunications and data processing systems and their batteries.

The Switchmode Rectifier 595LT Series

integrates the latest switchmode technology with superior power, protection, and control features in a compact, cost-efficient power-conversion system.

Designed as a key element in the Lineage Power GALAXY Power System 4848/100 Battery Plant, the 595LT Series Rectifier converts ac input voltage into the dc voltage level required to power end-user equipment. It also provides precise regulation, which is required to maximize battery life.

In addition, the rectifier can be used to form or recondition batteries.

Benefits

Compact, Power-Packed

Lineage Power's revolutionary technology packs ever-greater power into ever-shrinking packages. The result is a rectifier that packs more power per cubic inch, weighs substantially less, requires minimal maintenance, and frees up valuable floor space.

Optimum Power Usage

Functionally, the first conversion stage incorporates a new, high-efficiency, low THD topology with low-loss switching to generate a high-voltage intermediate bus from a three-wire, three-phase input ac source. This technology enables direct conversion of voltages up to 480 Vac nominal. The bus transfers power to the switching bridge, dc-dc second stage.

Quick Setup

The rectifier weighs approximately 50.5 lb (22.9 kg) and is designed to plug into a factory-wired cabinet. Installation is swift and straightforward. Interconnections to ac input, dc output, and control signals are automatic during insertion. No adjustments or settings are necessary.

Economical Operation

The system exhibits excellent 92% efficiency contributing to lower ac usage and operating costs.

Extended Service Life

The 595LT Series features parallel operation with digital load sharing, which evenly balances the load current among multiple rectifiers.

Fail-Safe Performance

To prevent load or rectifier damage, the 595LT Series is equipped with overvoltage/overcurrent protection. Two levels of high-voltage shutdown are provided, each powered from a separate voltage source. Two levels of overcurrent protection are also provided. The rectifier's control circuitry limits the current and an output circuit breaker prevents excessive output current.

An intelligent fan-speed control maintains safe operation at ambient temperatures from 0°C to 50°C. The variable-speed control also minimizes acoustic noise.

Simplified Control/Monitoring

A digital meter indicates current, temperature, or rectifier alarm messages for convenient system status. A microprocessor manages all internal alarm and state decisions. Additional monitoring and control capabilities are provided through serial digital communication with the GALAXY family of controllers.

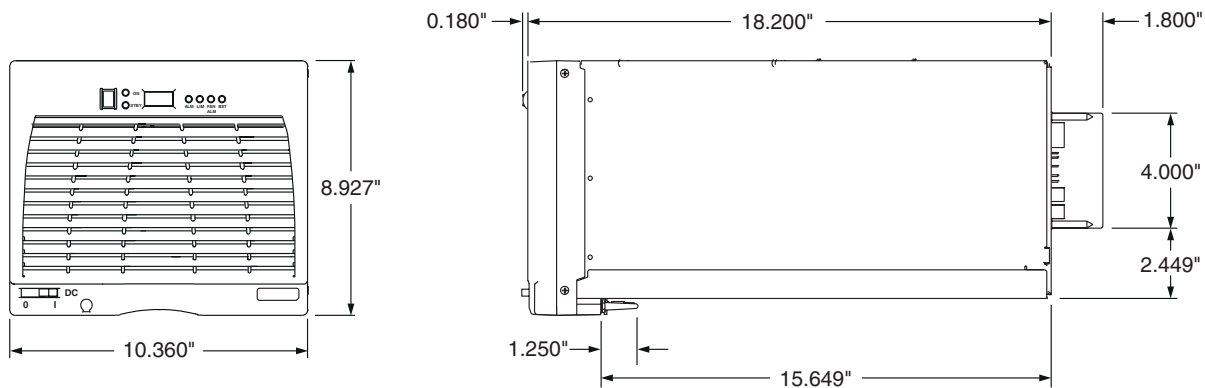
Overall, the unit is easy to install and delivers the reliable high performance required by the most stringent telecommunication and data processing applications.

Features

- High power density
- High efficiency
- Low THD
- Wide ac input range
- Plug-in interface
- Digital load sharing

Outline Drawing

GALAXY Switchmode Rectifier 595 Series



Specifications

Electrical	
Input	
Nominal Voltage, Three-Phase:	
595LTA	380 Vac/400 Vac/480 Vac, 3-wire plus ground
595LTB	208 Vac/220 Vac/240 Vac, 3-wire plus ground
Voltage Limit, Steady State:	
595LTA	320 Vac to 530 Vac
595LTB	176 Vac to 275 Vac
Frequency	47 Hz to 63 Hz
Power Factor	>0.97 at 50% to 100% load
Total Harmonic Distortion	<5% at 50% to 100% load
Output	
Float/Boost Voltage	42 Vdc to 58 Vdc
Regulation (with GALAXY controller)	±0.5%
Ripple	100 mVrms
Noise	<2 mV psophometric
Current-Limit Set Point	60 Adc to 220 Adc
Environmental	
Efficiency	>92% typical at 100 Adc-220 Adc output current
Operating Temperature	0°C to 50°C (32°F to 122°F)
Operating Relative Humidity	5% to 90% (noncondensing)
Storage Temperature	-40°C to +85°C (-40°F to 185°F)
Storage Relative Humidity	5% to 90%
Audible Noise	65 dBA at room temperature, mounted in cabinet
Safety/Standards Compliance	
NEBS	Evaluated by independent test lab with NRTL status to Telcordia GR63 and GR1089 (including level 3 testing)
Safety	UL ¹ -recognized (US and Canada) and TÜV ² UL1950, EN60950/IEC950, and CSA ³ 234/950 (tested for SELV output)
Electromagnetic Compliance ⁴ :	
Emission	IEC/EN60022 (CISPR22) Radiated/Conducted Emission, Class B Meets FCC Part 15 Class B
Immunity	IEC/EN 61000-4-2 ESD level 3 and 4 IEC/EN 61000-4-3 Radiated Immunity, 10 Vm IEC/EN 61000-4-4 Electrical Fast Transients/Burst, level 4 IEC/EN 61000-4-5 Lightning Surge, level 4
CE Marking ⁵	CE marked per European Union Council Directives: Low-Voltage Directive (73/23/EEC) as amended by CE Marking Directive (93/68/EEC)

1. UL is a registered trademark of Underwriters Laboratories, Inc.

2. TÜV is a registered trademark of Technischer Überwachungs-Verein.

3. CSA is a registered trademark of Canadian Standards Association.

4. Testing to the EMC standards was performed on an individual unit for verification purpose only.

5. This product is intended for integration into end-user equipment. All required procedures for CE Marking of end-user equipment should be followed.

Specifications (continued)

Physical	
Width	10.4 in. (265 mm) rear of unit
Height	8.9 in. (230 mm) rear of unit
Depth	18.2 in. (470 mm) overall, less contactor
Weight	50.5 lb (22.9 kg)
Control and Monitoring	
Visual Indicators (Six)	ON (green), STBY (yellow), BST (yellow), LIM (yellow), ALM (red), FAN ALM (red)
Meter	Three digit: current, rectifier ID
Control Switch (One)	ID/ON/STBY
Serial Interface Signaling: Controller-to-Rectifier	Remote sense, load share, voltage set points, current set points, selective HVSD set points, float/boost/equalize mode, HVSD, ON/STBY, lamp test
Serial Interface Signaling: Rectifier-to-Controller	Rectifier current, rectifier temperature, ID, serial number, manufacturing information, RFA, CB, ON/STBY, ACF, phase fail, TA, fan fail

Note: **STBY** = standby, **LIM** = limit, **ALM** = alarm, **HVSD** = high-voltage shutdown, **RFA** = rectifier fail alarm, **CB** = circuit breaker, **ACF** = ac failure, **TA** = ambient temperature, **BST** = boost

Ordering Information

Description	Comcode
595LTA Switchmode Rectifier	108979238
595LTB Switchmode Rectifier	108990405

Note: For complete ordering information, please contact your Lineage Power sales representative.

Related Product Literature

Document Title	Document Number
GALAXY Power System (GPS) 4848/100	DS03-044

LINEAGE POWER

World Wide Headquarters
3000 Skyline Drive, Mesquite, TX 75149, USA

+1-800-843-1797
Outside U.S.A.: +1-972-284-2626

<http://www.lineagepower.com>
e-mail: techsupport1@lineagepower.com

©2008 Lineage Power. Lineage Power reserves the right to make changes to the product(s) or information contained herein without notice. No liability is assumed as a result of their use or application. No rights under any patent accompany the sale of any such product(s) or information.