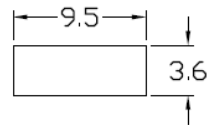


Top View

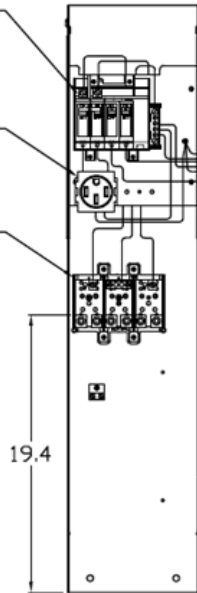


Front View Interior

100AMP, 5 CIRCUIT LOAD CENTER
50AMP, BREAKER 2-POLE
30AMP, BREAKER 1-POLE
20AMP, BREAKER 1-POLE

14-50R
50AMP,
RECEPTACLE

LOOP FEED LUG TERMINAL BAR

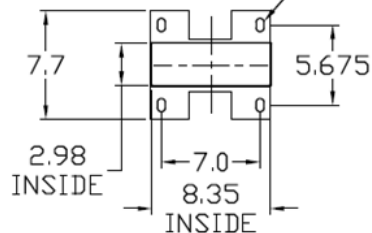


BREAKER
KD

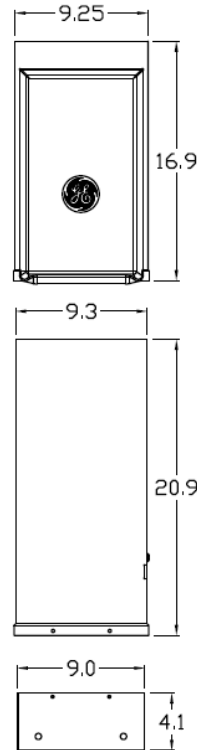
5-20R2GFI
20AMP,
GFI DUPLEX
BR32U
30AMP,
RECEPTACLE

Bottom View

9/16" x 15/16"
Ø BROUND MOUNTING
HOLE (4X)

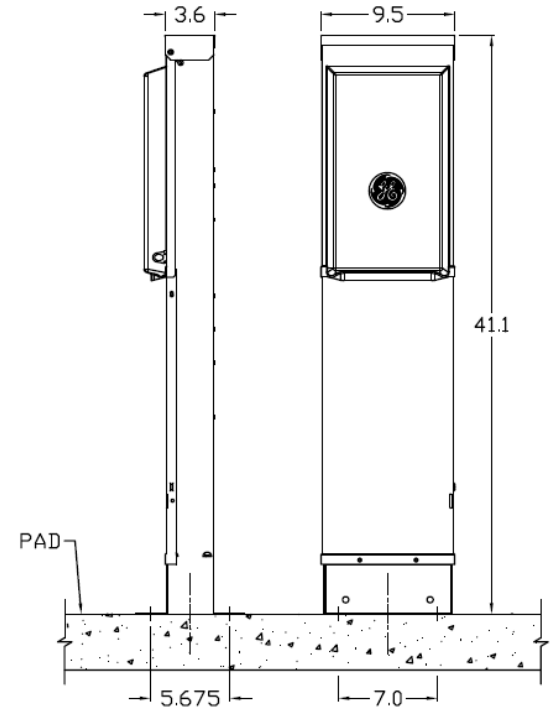


Front View External Covers



Right Side View

Front Exterior View



NOTES: PAD MOUNTED POST

Wire Range Size

CONNECTOR	COPPER		ALUMINUM	
	SOLID	STRAND	SOLID	STRAND
LINE	14-8	14-1/0	12-8	12-1/0
LOAD	14-10	14-10	---	---
NEUTRAL	14-4	14-4	14-4	14-4
POST LINE CONNECTORS SUITABLE FOR LOOP FEED	#6-350	KCMIL	#6-350	KCMIL
EQUIP, GRND, POST	14-2/0	14-2/0	14-2/0	14-2/0



imagination at work

GE RV EQUIP-100A-MLO-UNMETERED-50A,30A&20A
RECEPT-PAD MOUNT-SINGLE SIDED-UNLIGHTED-G90-N3R

CAT NO	DWG DATE	REV #
GE1LU532PS	05/13/2016	01