

RENEWAL PARTS

IC2800-1612 CONTACTORS

Forms AA, AB, AC, AD, AE, AF, AG, AH, AJ, AK, BA, BB, BC, BD, BE, BF, BG, BH, BJ, and BK

NOTE:—When ordering parts for a form of the compensator not covered by this bulletin, give reference number, description of part, complete nameplate reading, and above bulletin (GEF) number. Do not use catalog number when form for which the parts are needed is not covered by the bulletin.

PARTS RECOMMENDED FOR NORMAL STOCK

Fig. No.	Ref. No.	No. Req. for IC2800-1612-										Catalog Number	Description
		AA BA	AB BB	AC BC	AD BD	AE BE	AF BF	AG BG	AH BH	AJ BJ	AK BK		
1	1	2	2	2	2	-	2	2	2	2	-	8650867P1	Arc chute
1	16	2	2	2	2	2	2	2	2	2	2	8067076G1	Movable contact
1	58	2	2	2	2	2	2	2	2	2	2	6973075G1	Stationary contact
1	17	2	2	2	2	2	2	2	2	2	2	9043584G1	Shunt
1	15	2	2	2	2	2	2	2	2	2	2	2418818	Spring for movable contact
1,2	25	1	1	1	1	1	1	1	1	1	1	2412649	Spring for armature
1	38	1	1	1	1	1	-	-	-	-	-	See Table	Operating coil
1	-	-	-	-	-	-	1	1	1	1	1	See Table	Operating coil
2	39	-	-	-	-	-	1	1	1	1	1	See Table	Holding coil
-	-	Δ	Δ	Δ	Δ	Δ	Δ	Δ	Δ	Δ	Δ	See Table	Interlock switch unit
-	-	Δ	Δ	Δ	Δ	Δ	Δ	Δ	Δ	Δ	Δ	See Table	Set of interlock contacts

Δ quantity variable

Ref. No. 38 - OPERATING COIL - 1 Required

For IC2800-1612-AA, -AB, -AC, -AD, -AE, -BA, -BB, -BC, -BD, or -BE Contactors

Note: The operating coil is identified by the number following the form letters in the IC designation.

Example: IC2800-1612-AA-2-B requires operating coil No. 2, Cat. No. 22D101G2.

Coil No.	Coil Cat. No.	Coil No.	Coil Cat. No.	Coil No.	Coil Cat. No.	Coil No.	Coil Cat. No.	Coil No.	Coil Cat. No.
2	22D101G2	10	22D101G14	18	22D101G16	26	22D101G27	55	22D101G106
3	22D101G3	11	22D101G11	19	22D101G107	27	22D101G20	56	22D101G104
4	22D101G5	12	22D101G10	20	22D101G9	28	22D101G112	57	22D101G108
5	22D101G6	13	22D101G18	21	22D101G12	29	22D101G113	58	22D101G109
6	22D101G21	14	22D101G4	22	22D101G29	30	22D101G115	59	22D101G110
7	22D101G15	15	22D101G7	23	22D101G30	52	22D101G102	60	22D101G32
8	22D101G17	16	22D101G22	24	393B213G1	53	22D101G103	62	22D101G114
9	22D101G8	17	22D101G23	25	22D101G111	54	22D101G105		

When ordering renewal parts, give quantity, catalog number, description of each item required, and complete nameplate reading.



IC2800-1612 CONTACTORS

OPERATING AND HOLDING COILS - 1 of Each Required

For IC2800-1612-AF, -AG, -AH, -AJ, -AK, -BF, -BG, -BH, -BJ, or -BK Contactors

Note: The operating and holding coils are identified by the number following the form letters in the IC designation.

Example: IC2800-1612-AF-202-B require operating and holding coils No. 202, Cat. No. 22D101G2 (operating coil) and Cat. No. 22D163G2 (holding coil).

Coil No.	Operating Coil	Holding Coil	Coil No.	Operating Coil	Holding Coil	Coil No.	Operating Coil	Holding Coil
	Ref. No. 38	Ref. No. 39		Ref. No. 38	Ref. No. 39		Ref. No. 38	Ref. No. 39
	Cat. No.	Cat. No.		Cat. No.	Cat. No.		Cat. No.	Cat. No.
202	22D101G2	22D163G2	212	22D101G109	22D163G2	221	22D101G3	22D163G7
203	22D101G3	22D163G3	213	22D101G102	22D163G2	222	22D101G102	22D163G2
205	22D101G6	22D163G5	214	22D101G26	22D163G9	223	22D101G3	22D163G2
206	22D101G4	22D163G6	215	22D101G25	22D163G8	224	22D101G12	22D163G11
207	22D101G2	287A919G3	216	22D101G7	22D163G2	225	22D101G2	22D163G3
208	22D101G12	22D163G2	217	22D101G2	22D163G7	226	22D101G15	22D163G9
209	22D101G15	22D163G2	218	22D101G103	22D163G3	227	22D101G114	22D163G12
210	22D101G15	22D163G7	219	22D101G2	22D163G10	228	22D101G9	22D163G13
211	22D101G102	287A919G3	220	22D101G3	22D163G10	229	22D101G1	22D163G7

ELECTRICAL INTERLOCKS

Note: The interlock is identified by the letter following the coil number in the IC designation.

Example: IC2800-1612-AA-3-B requires interlock letter B, Cat. No. IC2956A200G.

Interlock Letter	Interlock Switch Unit		§ Set of Interlock Contacts	Interlock Mounting Kit	Interlock Letter	Interlock Switch Unit		§ Set of Interlock Contacts	Interlock Mounting Kit
	Right-hand	Left-hand				Right-hand	Left-hand		
	Cat. No.	Cat. No.				Cat. No.	Cat. No.		
For IC2800-1612-AA, -AB, -AC, -AD, -AE, -BA, -BB, -BC, -BD, or -BE Contactors									
B	-----	IC2956A200G	6960053G2	IC2956A202G	AB	-----	IC2956A200AD	6960053G23	IC2956A202G
C	IC2956A200G	-----	6960053G2	IC2956A202H	AC	IC2956A200AD	-----	6960053G23	IC2956A202H
D	-----	IC2956A200H	6960053G2	IC2956A202G	AD	-----	IC2956A200AE	6960053G23	IC2956A202G
E	IC2956A200H	-----	6960053G2	IC2956A202H	AE	IC2956A200AE	-----	6960053G22	IC2956A202H
F	-----	IC2956A200A	6960053G3	IC2956A202G	AF	-----	IC2956A200AA	6960053G22	IC2956A202G
G	IC2956A200A	-----	6960053G3	IC2956A202H	AG	IC2956A200AA	-----	6960053G22	IC2956A202H
H	-----	IC2956A200C	6960053G3	IC2956A202G	AH	-----	IC2956A200AC	6960053G22	IC2956A202G
J	IC2956A200C	-----	6960053G3	IC2956A202H	AJ	IC2956A200AC	-----	6960053G22	IC2956A202H
K	-----	IC2956A200B	6960053G3	IC2956A202G	AK	-----	IC2956A200AB	6960053G22	IC2956A202G
L	IC2956A200B	-----	6960053G3	IC2956A202H	AL	IC2956A200AB	-----	6960053G22	IC2956A202H
M	IC2956A200A	-----	6960053G3	IC2956A202H	AM	IC2956A200AA	-----	6960053G22	IC2956A202H
N	IC2956A200C	IC2956A200A	6960053G3	IC2956A202G	AN	IC2956A200AC	IC2956A200AA	6960053G22	IC2956A202G
P	IC2956A200B	-----	6960053G3	IC2956A202H	AP	IC2956A200AB	-----	6960053G22	IC2956A202H
R	IC2956A200B	IC2956A200A	6960053G3	IC2956A202G	AR	IC2956A200AB	IC2956A200AA	6960053G22	IC2956A202G
S	IC2956A200B	IC2956A200C	6960053G3	IC2956A202G	AS	IC2956A200AB	IC2956A200AC	6960053G22	IC2956A202G
		IC2956A200B	6960053G3	IC2956A202G			IC2956A200AB	6960053G22	IC2956A202G

For IC2800-1612-AF, -AG, -AH, -AJ, -AK, -BF, -BG, -BH, -BJ, or -BK Contactors

B	-----	IC2956A200G	6960053G2	IC2956A202G	AB	-----	IC2956A200AD	6960053G23	IC2956A202G
C	IC2956A200H	-----	6960053G2	IC2956A202G	AC	IC2956A200AE	-----	6960053G23	IC2956A202G
D	-----	IC2956A200H	6960053G2	IC2956A202G	AD	-----	IC2956A200AE	6960053G23	IC2956A202G
E	IC2956A200G	-----	6960053G2	IC2956A202G	AE	IC2956A200AD	-----	6960053G23	IC2956A202G
F	-----	IC2956A200A	6960053G3	IC2956A202G	AF	-----	IC2956A200AA	6960053G22	IC2956A202G
G	IC2956A200B	-----	6960053G3	IC2956A202G	AG	IC2956A200AB	-----	6960053G22	IC2956A202G
H	-----	IC2956A200C	6960053G3	IC2956A202G	AH	-----	IC2956A200AC	6960053G22	IC2956A202G
J	IC2956A200C	-----	6960053G3	IC2956A202G	AJ	IC2956A200AC	-----	6960053G22	IC2956A202G
K	-----	IC2956A200B	6960053G3	IC2956A202G	AK	-----	IC2956A200AB	6960053G22	IC2956A202G
L	IC2956A200A	-----	6960053G3	IC2956A202G	AL	IC2956A200AA	-----	6960053G22	IC2956A202G
M	IC2956A200A	IC2956A200A	6960053G3	IC2956A202G	AM	IC2956A200AA	IC2956A200AA	6960053G22	IC2956A202G
N	IC2956A200C	IC2956A200A	6960053G3	IC2956A202G	AN	IC2956A200AC	IC2956A200AA	6960053G22	IC2956A202G
P	IC2956A200B	-----	6960053G3	IC2956A202H	AP	IC2956A200AA	-----	6960053G22	IC2956A202H
R	IC2956A200B	IC2956A200C	6960053G3	IC2956A202G	AR	IC2956A200AA	IC2956A200AC	6960053G22	IC2956A202G
S	IC2956A200C	IC2956A200B	6960053G3	IC2956A202G	AS	IC2956A200AA	IC2956A200AB	6960053G22	IC2956A202G

§ Includes movable and stationary contacts with springs and contact-holding screws.

IC2800-1612 CONTACTORS

COMPLETE LIST OF PARTS

Fig. No.	Ref. No.	No. Req. for IC2800-1612-										Catalog Number	Description
		AA BA	AB BB	AC BC	AD BD	AE BE	AF BF	AG BG	AH BH	AJ BJ	AK BK		
1	1	2	2	2	2	-	2	2	2	2	-	8650867P1	Arc chute
1	2	2	2	2	2	-	2	2	2	2	-	8650870P6	Arc chute retainer
		2	2	2	2	-	2	2	2	2	-	9693202G1	Wing screw, for forms AA to AD or AF to AJ
1	3	2	2	2	2	-	2	2	2	2	-	9693202P1	Wing screw, for forms BA to BD or BF to BJ
1	4	2	2	2	2	-	2	2	2	2	-	8650870P5	Supporting bracket for arc chute retainer
1	5	2	2	2	2	-	2	2	2	2	-	8650869G1	Arcing horn
1	6	2	2	2	2	-	2	2	2	2	-	N26P21010B6	Screw fastening arcing horn, connection strip, and shunt to terminal board (1/4 in.-20, 5/8 in., hex. hd. slot, pro. fin.)
1	7	1	1	1	1	1	1	1	1	1	1	125A5940G3	Terminal board
1	8	2	2	2	2	2	2	2	2	2	2	N26P21010B6	Screw fastening terminal board to frame (1/4 in.-20, 5/8 in., hex. hd. slot, pro. fin.)
1	9	2	2	2	2	2	2	2	2	2	2	394B522P7	Connection strip
1	10	2	2	2	2	2	2	2	2	2	2	N26P21010B6	Terminal screw for connection strip (1/4 in.-20, 5/8 in., hex. hd. slot., pro. fin.)
1	11	2	2	2	2	2	2	2	2	2	2	8650873P1	Movable contact support
1	12	4	4	4	4	4	4	4	4	4	4	N144P16010C6	Screw and lock washer fastening contact support to armature (10-32, 5/8 in., pan hd., pro. fin.)
1	13	2	2	2	2	2	2	2	2	2	2	8650870P3	Spring seat
1	14	2	2	2	2	2	2	2	2	2	2	N144P16004C6	Screw and lock washer fastening spring seat to support (10-32, 1/4 in., pan hd., pro. fin.)
1	15	2	2	2	2	2	2	2	2	2	2	2418818	Spring for movable contact
1	16	2	2	2	2	2	2	2	2	2	2	8067076G1	Movable contact
1	17	2	2	2	2	2	2	2	2	2	2	9043584G1	Shunt
1	18	2	2	2	2	2	2	2	2	2	2	N144P16004C6	Screw and lock washer fastening shunt to movable contact (10-32, 1/4 in., pan hd., pro. fin.)
1	19	1	1	1	1	1	-	-	-	-	-	981B172G3	Armature assembly
2	19A	-	-	-	-	-	1	1	1	1	1	981B172G2	Armature assembly
1	20	1	1	1	1	1	1	1	1	1	1	8089296G2	Frame assembly, for forms AA to AK
1	21	1	1	1	1	1	1	1	1	1	1	129B5696G2	Frame assembly, for forms BA to BK
1	22	1	1	1	1	1	-	-	-	-	-	8067062G1	Spring support
2	23	-	-	-	-	-	1	1	1	1	1	8087264G2	Spring support
1,2	24	1	1	1	1	1	1	1	1	1	1	N26P26010B6	Screw fastening spring support to armature (1/4 in.-20, 5/8 in., hex. hd. slot., pro. fin.)
1,2	25	1	1	1	1	1	1	1	1	1	1	2412649	Spring for armature
1	26	1	1	1	1	1	1	1	1	1	1	8067077G1	Adjusting arm assembly, for forms AA to AK
1	27	1	1	1	1	1	1	1	1	1	1	N57P16012B6	Screw fastening adjusting arm (10-32, 3/4 in., pan hd. slot., pro. fin.)
1	28	1	1	1	1	1	1	1	1	1	1	167A9802P1	Eye bolt for spring, for forms BA to BK
1	29	2	2	2	2	2	2	2	2	2	2	N245P21B6	Lock nut for eye bolt, for forms BA to BK (1/4 in.-20, hex. pro. fin., NC2B)
1	30	1	1	1	1	1	-	-	-	-	-	151A2001UTP1	Supporting bracket for eye bolt, for forms BA to BE
2	31	-	-	-	-	-	1	1	1	1	1	8089296G4	Lower frame assembly, for forms AF to AK

IC2800-1612 CONTACTORS

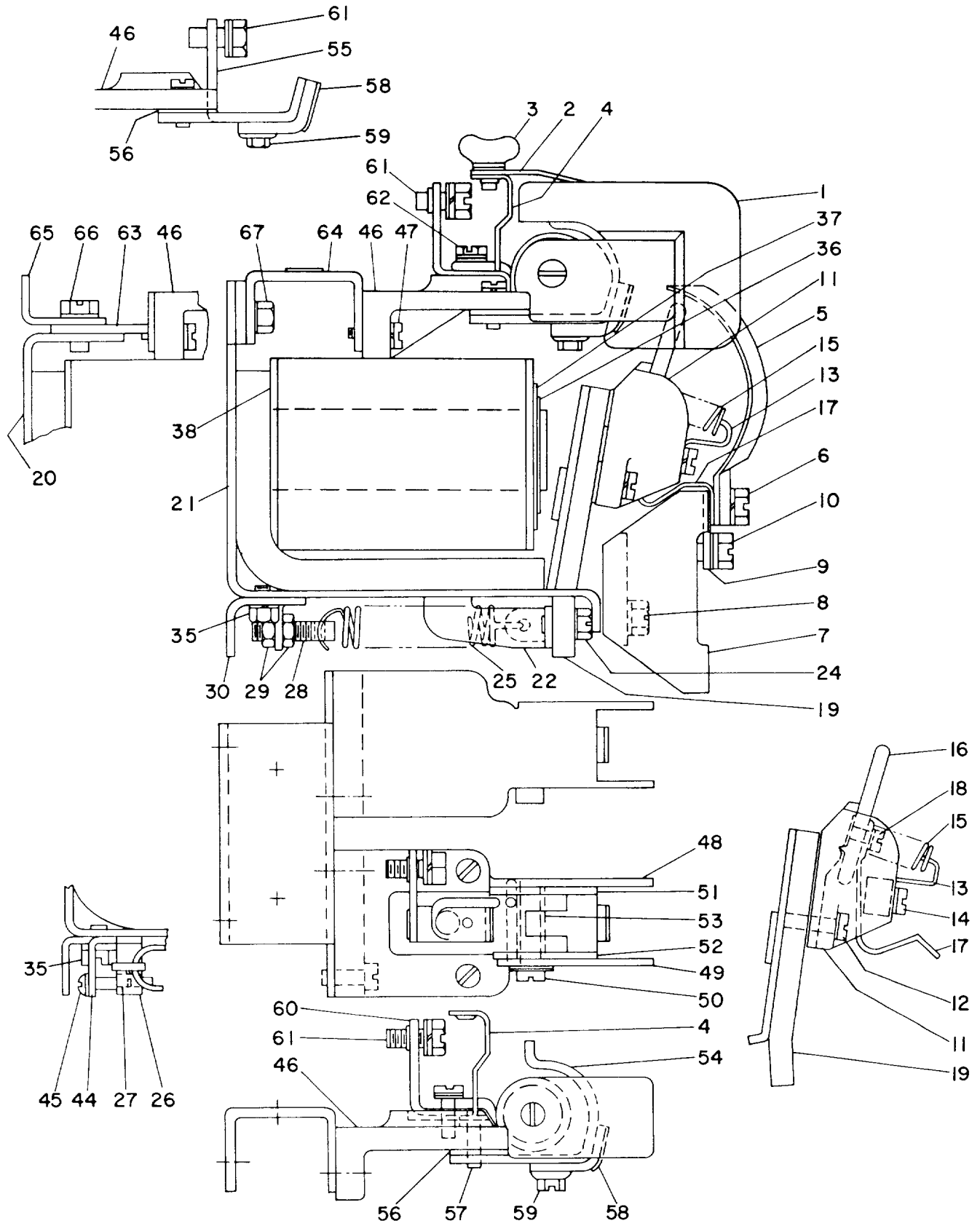


Fig. 1

IC2800-1612 CONTACTORS

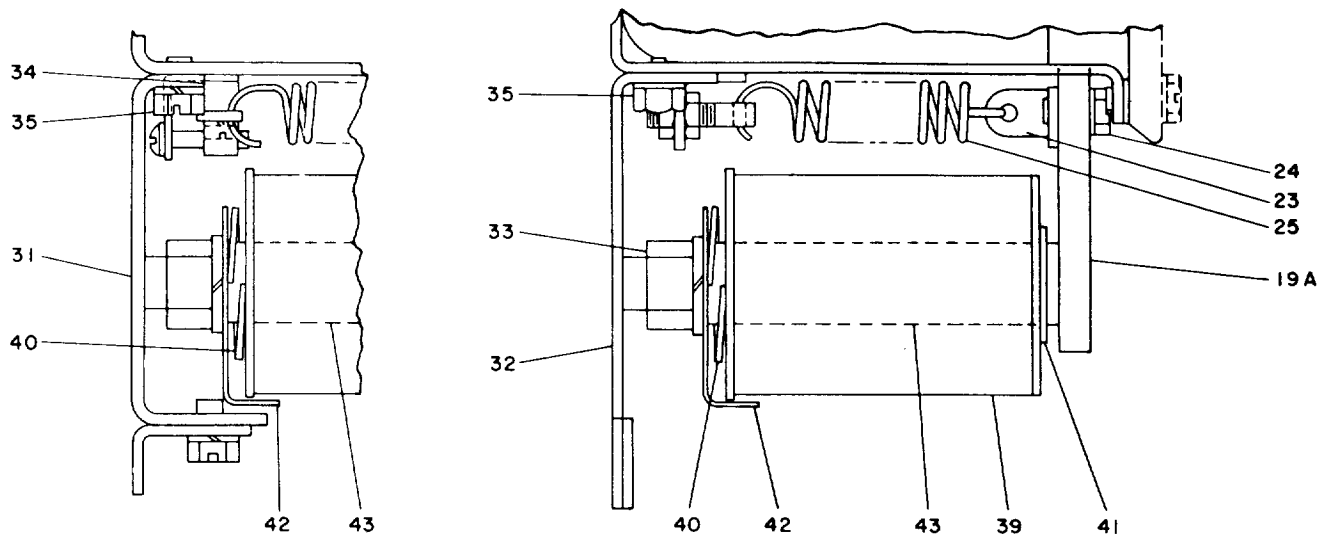


Fig. 2

COMPLETE LIST OF PARTS (CONT'D)

Fig. No.	Ref. No.	No. Req. for IC2800-1612-										Catalog Number	Description
		AA BA	AB BB	AC BC	AD BD	AE BE	AF BF	AG BG	AH BH	AJ BJ	AK BK		
2	32	-	-	-	-	-	1	1	1	1	1	129B5694G2	Lower frame assembly, for forms BF to BK
2	33	-	-	-	-	-	1	1	1	1	1	N203P29B6	Nut (1/2 in. -13, hex. std., pro. fin.)
2	34	1	1	1	1	1	1	1	1	1	1	8046642P1	Spacer for adjusting arm, for forms AA to AK
1,2	35	4	4	4	4	4	4	4	4	4	4	N26P21010B6	Screw fastening supporting bracket or lower frame to upper frame (1/4 in. -20, 5/8 in., hex. hd. slot., pro. fin.)
1	36	1	1	1	1	1	1	1	1	1	1	147A6180	Retainer for operating coil
1	37	Δ	Δ	Δ	Δ	Δ	Δ	Δ	Δ	Δ	Δ	N405P45B6	Spacing washer for operating coil
1	38	1	1	1	1	1	-	-	-	-	-	See Table	Operating coil
†	38	-	-	-	-	-	1	1	1	1	1	See Table	Operating coil
2	39	-	-	-	-	-	1	1	1	1	1	See Table	Holding coil
2	40	-	-	-	-	-	1	1	1	1	1	8636009P6	Spring washer for holding coil
2	41	-	-	-	-	-	1	1	1	1	1	N910P87B6	Retainer for holding coil
2	42	-	-	-	-	-	1	1	1	1	1	8047152P1	Stop for holding coil
2	43	1	1	1	1	1	-	-	-	-	-	9092937P1	Bracket, for forms AA to AE
1	44	1	1	1	1	1	1	1	1	1	1	8074926P2	Bracket for adjusting screw, for forms AA to AK
1	45	1	1	1	1	1	1	1	1	1	1	8046641P1	Adjusting screw, for forms AA to AK
1	46	2	2	2	2	2	2	2	2	2	2	9043374P1	Base for stationary contact and blowout coil
1	47	4	4	4	4	4	4	4	4	4	4	N144P16010C6	Screw and lock washer fastening base to support (10-32, 5/8 in., pan hd. slot., pro. fin.)

Δ Quantity variable. Used as required.
 † Not illustrated.

IC2800-1612 CONTACTORS

COMPLETE LIST OF PARTS (CONT'D)

Fig. No.	Ref. No.	No. Req. for IC2800-1612-										Catalog Number	Description
		AA BA	AB BB	AC BC	AD BD	AE BE	AF BF	AG BG	AH BH	AJ BJ	AK BK		
1	48	2	2	2	2	-	2	2	2	2	-	8650868G1	Pole piece and magnet core for blow-out coil, right-hand
1	49	2	2	2	2	-	2	2	2	2	-	8650868P9	Pole piece, left-hand
1	50	2	2	2	2	-	2	2	2	2	-	N57P15005B6	Screw fastening pole piece to magnet core (8-32, 5/16 in., pan hd. slot., pro. fin.)
1	51	2	2	2	2	-	2	2	2	2	-	9043375P4	Insulation for blowout coil, right-hand
1	52	2	2	2	2	-	2	2	2	2	-	9043375P3	Insulation for blowout coil, left-hand
1	53	2	2	-	-	-	2	2	-	-	-	9023914P1	Insulation tube for core
1	54	2	-	-	-	-	2	-	-	-	-	9043373G1	Blowout coil and stationary contact support
1	54	-	2	-	-	-	-	2	-	-	-	9043373G2	Blowout coil and stationary contact support
†		-	-	2	-	-	-	-	2	-	-	3247664	Blowout coil, wire-wound
†		-	-	-	2	-	-	-	-	2	-	3243604	Blowout coil, wire-wound
†		-	-	2	2	-	-	-	2	2	-	8650868P1	Stationary contact support
1	55	-	-	-	-	2	-	-	-	-	2	8650870P2	Stationary contact support
1	56	2	2	2	2	2	2	2	2	2	2	394B522P9	Spacer for stationary contact support
1	57	4	4	4	4	4	4	4	4	4	4	N144P16010C6	Screw fastening contact support and spacer to base (10-32, 5/8 in. pan hd. slot., pro. fin.)
1	58	2	2	2	2	2	2	2	2	2	2	6973075G1	Stationary contact
1	59	2	2	2	2	2	2	2	2	2	2	9384190P1	Screw and lock washer fastening stationary contact to support
1	60	2	2	2	2	-	2	2	2	2	-	8650872P7	Connection strip
1	61	2	2	2	2	2	2	2	2	2	2	N26P21010B6	Connection screw (1/4 in.-20, 5/8 in., hex. hd. slot., pro. fin.)
1	62	2	2	2	2	-	2	2	2	2	-	N144P16008C6	Screw fastening blowout coil to connection strip and base (10-32, 1/2 in., pan hd. slot., pro. fin.)
1	63	1	1	1	1	1	1	1	1	1	1	125A5941P1	Supporting bracket for base, for forms AA to AK
1	64	1	1	1	1	1	1	1	1	1	1	129B5702P1	Supporting bracket for base, for forms BA to BK
1	65	1	1	1	1	1	1	1	1	1	1	9397565P1	Supporting bracket for magnet frame, for forms AA to AK
1	66	2	2	2	2	2	2	2	2	2	2	N26P210008B6	Screw fastening supporting bracket to magnet frame (1/4 in.-20, 1/2 in., hex. hd. slots., pro. fin.)
1	67	2	2	2	2	2	2	2	2	2	2	N26P21006B6	Screw fastening base support to magnet frame (1/4 in.-20, 3/8 in., hex. hd. slot., pro. fin.)

PLAIN WASHERS

LOCK WASHERS

Cat. No.	Description
N402P38B6	For No. 8 screw
N402P11B6	For 1/4 in. screw

Cat. No.	Description
N405P38B6	For No. 8 screw
N405P39B6	For No. 10 screw
N405P41B6	For 1/4 in. screw
N405P45B6	For 1/2 in. screw

IC2800-1612 CONTACTORS

INDEX OF CATALOG NUMBERS

Catalog identifications in this index are arranged in order, reading from left to right, first alphabetically according to the prefix letter or letters, if used, and second numerically.

In this index all numbers with a letter prefix will precede those without prefixes.

The number of letters or digits does not affect placement in the table, thus A1999999 will precede A2, and ZZ9999999 will precede Cat. No. 1 (number without a prefix). Letters take precedence over numbers so that Cat. No. 26F1 will precede Cat. No. 261.

Cat. No.	Page	Cat. No.	Page	Cat. No.	Page	Cat. No.	Page
IC2956A200A-----	2	147A6180 -----	5	22D101G29 -----	1	8046641P1-----	5
IC2956A200AA ----	2	151A2001UTP1-----	4	22D101G3 -----	1,2	8046642P1-----	5
IC2956A200AB ----	2	167A9802P1 -----	4	22D101G30 -----	1	8047152P1-----	5
IC2956A200AC ----	2	22D101G1 -----	2	22D101G32 -----	1	8067062G1-----	4
IC2956A200AD ----	2	22D101G10 -----	1	22D101G4 -----	1,2	8067076G1-----	1,4
IC2956A200AE ----	2	22D101G102 -----	1,2	22D101G5 -----	1	8067077G1-----	4
IC2956A200B-----	2	22D101G103 -----	1,2	22D101G6 -----	1,2	8074926P2-----	5
IC2956A200C-----	2	22D101G104 -----	1	22D101G7 -----	1,2	8087264G2-----	4
IC2956A200G-----	2	22D101G105 -----	1	22D101G8 -----	1	8089296G2-----	4
IC2956A200H-----	2	22F101G106 -----	1	22D101G9 -----	1,2	8089296G4-----	4
IC2956A202G-----	2	22D101G107 -----	1	22D163G10 -----	2	8636009P6-----	5
IC2956A202H-----	2	22D101G108 -----	1	22D163G11 -----	2	8650867P1-----	4
N144P16004C6 ----	4	22D101G109 -----	1,2	22D163G12 -----	2	8650868G1-----	5
N144P16008C6 ----	6	22D101G11 -----	1	22D163G13 -----	2	8650868P1-----	5
N144P16010C6 ----	4,5	22D101G110 -----	1	22D163G2 -----	2	8650868P9-----	5
N203P29B6 -----	5	22D101G111 -----	1	22D163G3 -----	2	8650869G1-----	4
N245P21B6 -----	4	22D101G112 -----	1	22D163G5 -----	2	8650870P2-----	5
N26P21006B6 ----	6	22D101G113 -----	1	22D163G6 -----	2	8650870P3-----	4
N26P21008B6 ----	6	22D101G114 -----	1,2	22D163G7 -----	2	8650870P5-----	4
N26P21010B6 ----	4,5,6	22D101G115 -----	1	22D163G8 -----	2	8650870P6-----	4
N26P26010B6 ----	4	22D101G12 -----	1,2	22D163G9 -----	2	8650872P7-----	5
N402P11B6 -----	6	22D101G14 -----	1	2412649 -----	1,4	8650873P1-----	4
N402P38B6 -----	6	22D101G15 -----	1,2	2418818 -----	1,4	9023914P1-----	5
N405P38B6 -----	6	22D101G16 -----	1	287A919G3 -----	2	9043373G1-----	5
N405P39B6 -----	6	22D101G17 -----	1	3243604 -----	5	9043373G2-----	5
N405P41B6 -----	6	22D101G18 -----	1	3247664 -----	5	9043374P1-----	5
N405P45B6 -----	5,6	22D101G2 -----	1,2	393B213G1 -----	1	9043375P3-----	5
N57P15005B6 ----	5	22D101G20 -----	1	394B522P7 -----	4	9043375P4-----	5
N57P16012B6 ----	4	22D101G21 -----	1	394B522P9 -----	5	9043584G1-----	1,4
N910P87B6 -----	5	22D101G22 -----	1	6960053G2 -----	2	9092937P1-----	5
125A5940G3-----	4	22D101G23 -----	1	6960053G22 -----	2	9384190P1-----	5
125A5941P1-----	6	22D101G25 -----	2	6960053G23 -----	2	9397565P1-----	6
129B5694G2-----	5	22D101G26 -----	2	6960053G3-----	2	9693202P1-----	4
129B5696G2-----	4	22D101G27 -----	1	6973075G1-----	1,5	981B172G2 -----	4
129B5702P1-----	6					981B172G3 -----	4

**GENERAL ELECTRIC COMPANY
INDUSTRIAL CONTROL DEPARTMENT
SALEM, VA. 24153**

GENERAL  ELECTRIC