

RENEWAL PARTS



IC2800-1613 CONTACTORS

Forms BA thru CR

NOTE:—When ordering parts for a form of the contactor not covered by this bulletin, give reference number, description of part, complete nameplate reading, and above bulletin (GEF) number. Do not use catalog number when form for which the parts are needed is not covered by the bulletin.

PARTS RECOMMENDED FOR NORMAL STOCK

Ref. No.	No. Required for IC2800-1613-																Catalog Number	Description
	BA	BB	BC	BD	BE	BF	BG	BH	BJ	BK	BL	BM	BN	BP	BR			
	CA	CB	CC	CD	CE	CF	CG	CH	CJ	CK	CL	CM	CN	CP	CR			
16	3	3	3	3	3	3	3	3	3	3	3	3	3	3	3	8067076G1	Movable contact	
52	3	3	3	3	3	3	3	3	3	3	3	3	3	3	3	6973075G1	Stationary contact	
17	3	3	3	3	3	3	3	3	3	3	3	3	3	3	3	9043584G1	Shunt	
15	3	3	3	3	3	3	3	3	3	3	3	3	3	3	3	2418818	Spring for movable contact	
23	1	1	1	1	1	1	1	1	1	1	1	1	1	1	1	2412649	Spring for armature	
1	3	3	3	3	-	3	3	3	-	3	3	3	3	3	3	8650867P1	Arc chute	
32	1	1	1	1	1	-	-	-	-	-	-	-	-	-	-	See Table	Operating coil	
32	-	-	-	-	-	1	1	1	1	1	1	1	1	1	1	See Table	Operating coil	
33	1	1	1	1	1	-	-	-	-	-	-	-	-	-	-	See Table	Holding coil	
49	Δ	Δ	Δ	Δ	Δ	Δ	Δ	Δ	Δ	Δ	Δ	Δ	Δ	Δ	Δ	See Table	δSet of interlock contacts	

Δ Quantity variable.

δ Includes movable and stationary contacts, springs, and contact-holding screw for one interlock switch unit.

OPERATING AND HOLDING COILS - 1 of Each Required

For IC2800-1613-BA through -CE CONTACTORS

NOTE: - The operating and holding coils are identified by the number following the form letters in the IC designation.

EXAMPLE: - IC2800-1613-BA-202-B requires operating and holding coils No. 202, Cat. No. 22D101G2 (operating coil) and Cat. No. 22D163G2 (holding coil).

Coil No.	Operating Coil	Holding Coil	Coil No.	Operating Coil	Holding Coil	Coil No.	Operating Coil	Holding Coil
	Ref. No. 32	Ref. No. 33		Ref. No. 32	Ref. No. 33		Ref. No. 32	Ref. No. 33
	Cat. No.	Cat. No.		Cat. No.	Cat. No.		Cat. No.	Cat. No.
202	22D101G2A	22D193G2A	215	22D101G25A	22D163G8A	228	22D101G119A	22D163G13A
203	22D101G5A	22D163G3A	216	22D101G7A	22D163G2A	229	22D101G1A	22D163G7A
204	22D101G9A	22D163G10A	217	22D101G2A	22D163G7A	230	22D101G7A	22D163G9A
205	22D101G6A	22D163G5A	218	22D101G103	22D163G3A	231	22D101G117	22D163G14A
206	22D101G4A	22D163G6A	219	22D101G2A	22D163G10A	232	22D101G2A	22D163G13A
207	22D101G2A	287A919G3	220	22D101G3A	22D163G10A	233	22D101G12A	22D163G11A
208	22D101G12A	22D163G2A	221	22D101G3A	22D163G7A	234	22D101G7A	22D163G6
209	22D101G15A	22D163G2A	222	22D101G102	22D163G2A	235	22D101G102	22D163G3A
210	22D101G15A	22D163G7A	223	22D101G3A	22D193G2A	236	22D101G111A	22D163G15A
211	22D101G102	287A919G3	224	22D101G12A	22D163G11A	237	22D101G4A	22D163G6
212	22D101G109	22D163G2A	225	22D101G2A	22D163G3A	238	22D101G7A	22D163G16A
213	22D101G102	22D163G2A	226	22D101G150	22D163G9A	239	22D101G126A	-----
214	22D101G26A	22D163G9A	227	22D101G114	22D163G2A	240	22D101G121A	22D163G5A

When ordering renewal parts, give quantity, catalog number, description of each item required, and complete nameplate reading.



IC2800-1613 CONTACTORS

Ref. No. 32 - OPERATING COIL - 1 Required

For IC2800-1613-BF through CR CONTACTORS

NOTE: - The operating coil is identified by the number following the form letters in the IC designation.

EXAMPLE: - IC2800-1613-BF-2-B requires operating coil No. 2, Cat. No. 22D101G2.

Coil No.	Coil Cat. No.	Coil No.	Coil Cat. No.	Coil No.	Coil Cat. No.	Coil No.	Coil Cat. No.	Coil No.	Coil Cat. No.
2	22D101G2A	12	22D101G10A	24	393B213G1	35	22D101G25A	56	22D101G104
3	22D101G3A	13	22D101G18A	25	22D101G111A	36	3402172	57	22D101G108
4	22D101G5A	14	22D101G4A	26	22D101G27A	37	22D101G127A	58	22D101G109
5	22D101G6A	15	22D101G7A	28	22D101G112A	38	22D101G128A	59	22D101G110
6	22D101G21A	17	22D101G23A	29	22D101G113A	39	22D101G123A	60	22D101G32
7	22D101G15A	18	22D101G16A	30	22D101G115A	40	3402139	62	22D191G114
8	22D101G17A	19	22D101G107A	31	22D101G118A	52	22D101G102	63	22D101G116
9	22D101G8A	20	22D101G119A	32	22D101G121A	53	22D101G103	64	22D101G117
10	22D101G14A	21	22D101G12A	33	22D101G125A	54	22D101G105	65	22D101G122
11	22D101G11A	23	22D101G30A	34	22D101G126A	55	22D101G106	67	22D101G124

ELECTRICAL INTERLOCKS

NOTE: - The interlock is identified by the letter following the coil number in the IC designation.

EXAMPLE: - IC2800-1613-BA-2-B requires interlock letter B, Cat. No. IC2956A200G.

Interlock Letter	Interlock Switch Unit		δ Set of Interlock Contacts Cat. No.	Interlock Mounting Kit Cat. No.	Interlock Letter	Interlock Switch Unit		δ Set of Interlock Contacts Cat. No.	Interlock Mounting Kit Cat. No.
	Lower Right-Hand Cat. No.	Upper Left-Hand Cat. No.				Lower Right-Hand Cat. No.	Upper Left-Hand Cat. No.		
B	-----	IC2956A200G	6960053G2	IC2956A202G	AM	IC2956A200AA	IC2956A200AA	6960053G22	IC2956A202G
C	IC2956A200H	-----	6960053G2	IC2956A202H	AN	IC2956A200AC	IC2956A200AA	6960053G22	IC2956A202H
D	-----	IC2956A200H	6960053G2	IC2956A202G	AP	IC2956A200AA	IC2956A200AA	6960053G22	IC2956A202G
E	IC2956A200G	-----	6960053G2	IC2956A202H	AR	IC2956A200AA	IC2956A200AC	6960053G22	IC2956A202H
F	-----	IC2956A200A	6960053G3	IC2956A202G	AS	IC2956A200AB	IC2956A200AA	6960053G22	IC2956A202G
G	IC2956A200B	-----	6960053G3	IC2956A202H	DB	-----	IC2956A205D	6960053G25	IC2956A202H
H	-----	IC2956A200C	6960053G3	IC2956A202G	DC	IC2956A205E	-----	6960053G25	IC2956A202H
J	IC2956A200C	-----	6960053G3	IC2956A202H	DD	-----	IC2956A205E	6960053G25	IC2956A202G
K	-----	IC2956A200B	6960053G3	IC2956A202G	DE	IC2956A205D	-----	6960053G25	IC2956A202H
L	IC2956A200A	-----	6960053G3	IC2956A202H	DF	-----	IC2956A205A	6960053G24	IC2956A202G
M	IC2956A200A	-----	6960053G3	IC2956A202G	DG	IC2956A205B	-----	6960053G24	IC2956A202H
N	IC2956A200C	IC2956A200A	6960053G3	IC2956A202H	DH	-----	IC2956A205C	6960053G24	IC2956A202G
P	IC2956A200B	IC2956A200A	6960053G3	IC2956A202G	DJ	IC2956A205C	-----	6960053G24	IC2956A202H
R	IC2956A200B	IC2956A200C	6960053G3	IC2956A202H	DK	-----	IC2956A205B	6960053G24	IC2956A202G
S	IC2956A200C	IC2956A200B	6960053G3	IC2956A202G	DL	IC2956A205A	-----	6960053G24	IC2956A202H
AB	-----	IC2956A200AD	6960053G23	IC2956A202G	DM	IC2956A205B	IC2956A205A	6960053G24	IC2956A202G
AC	IC2956A200AE	-----	6960053G23	IC2956A202H	DN	IC2956A205C	IC2956A205A	6960053G24	IC2956A202H
AD	-----	IC2956A200AE	6960053G23	IC2956A202G	DP	IC2956A205A	IC2956A205A	6960053G24	IC2956A202G
AE	IC2956A200AD	-----	6960053G23	IC2956A202H	DR	IC2956A205A	IC2956A205A	6960053G24	IC2956A202H
AF	-----	IC2956A200AA	6960053G22	IC2956A202G	DS	IC2956A205A	IC2956A205C	6960053G24	IC2956A202G
AG	IC2956A200AB	-----	6960053G22	IC2956A202H				6960053G24	IC2956A202H
AH	-----	IC2956A200AC	6960053G22	IC2956A202G				6960053G24	IC2956A202G
AJ	IC2956A200AC	-----	6960053G22	IC2956A202H				6960053G24	IC2956A202H
AK	-----	IC2956A200AB	6960053G22	IC2956A202G				6960053G24	IC2956A202G
AL	IC2956A200AA	-----	6960053G22	IC2956A202H				6960053G24	IC2956A202H

δ Includes movable and stationary contacts, spring, and contact-holding screws.

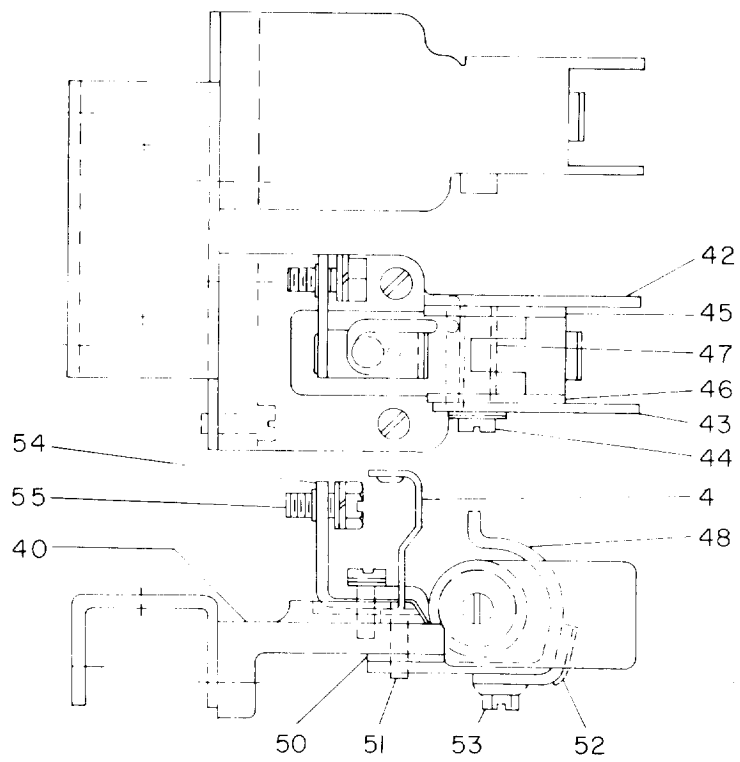


Fig. 2. Stationary contact and blowout coil

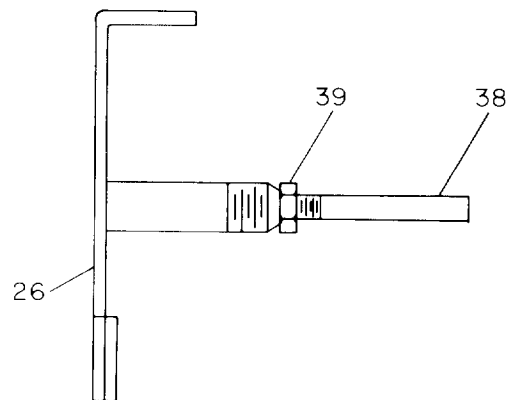


Fig. 3. Armature adjusting stud

IC2800-1613 CONTACTORS

GEF-4311

COMPLETE LIST OF PARTS

Ref. No.	No. Required for IC2800-1613-																Catalog Number	Description																
	BA	BB	BC	BD	BE	BF	BG	BH	BJ	BK	BL	BM	BN	BP	BR	CA			CB	CC	CD	CE	CF	CG	CH	CJ	CK	CL	CM	CN	CP	CR		
1	3	3	3	3	-	3	3	3	3	-	2	2	2	3	2	2	2	2	2	2	2	2	2	2	2	2	2	2	2	2	2	2	8650867P1	Arc chute
2	3	3	3	3	-	3	3	3	3	-	2	2	2	3	2	2	2	2	2	2	2	2	2	2	2	2	2	2	2	2	2	8650870P6	Arc chute retainer (for Forms -BA through -BM only)	
3	3	3	3	3	-	3	3	3	3	-	2	2	2	2	2	2	2	2	2	2	2	2	2	2	2	2	2	2	2	2	2	174A4428P1	Spring for arc chute (for Forms -CA through -CR only)	
4	3	3	3	3	-	3	3	3	3	-	-	-	-	-	-	-	-	-	-	-	-	-	-	-	-	-	-	-	-	-	577A142P6	Spring cover (for Forms -CA through -CR only)		
5	3	3	3	3	-	3	3	3	3	-	2	2	2	3	3	3	3	3	3	3	3	3	3	3	3	3	3	3	3	3	3	9693202P1	Wing screw (for Forms -BA through -BM only)	
6	3	3	3	3	-	3	3	3	3	-	2	2	2	3	3	3	3	3	3	3	3	3	3	3	3	3	3	3	3	3	3	8650870P5	Supporting bracket for arc chute retainer	
7	1	1	1	1	1	1	1	1	1	1	1	1	1	1	1	1	1	1	1	1	1	1	1	1	1	1	1	1	1	1	1	8650869P2	Arcing horn	
8	2	2	2	2	2	2	2	2	2	2	2	2	2	2	2	2	2	2	2	2	2	2	2	2	2	2	2	2	2	2	2	125A5940G2	Screw fastening arcing horn, connection strip, and shunt to terminal board (1/4 in. -20, 5/8 in., hex. hd slot., pro. fin.)	
9	3	3	3	3	3	3	3	3	3	3	3	3	3	3	3	3	3	3	3	3	3	3	3	3	3	3	3	3	3	3	3	26P21010B6	Terminal board assembly	
10	3	3	3	3	3	3	3	3	3	3	3	3	3	3	3	3	3	3	3	3	3	3	3	3	3	3	3	3	3	3	3	394B522P7	Screw fastening terminal board to frame (1/4 in. -20, 5/8 in., hex. hd slot., pro. fin.)	
11	3	3	3	3	3	3	3	3	3	3	3	3	3	3	3	3	3	3	3	3	3	3	3	3	3	3	3	3	3	3	3	N26P21010B6	Connection strip	
12	6	6	6	6	6	6	6	6	6	6	6	6	6	6	6	6	6	6	6	6	6	6	6	6	6	6	6	6	6	6	6	N26P21010B6	Terminal screw for connection strip (1/4 in. -20, 5/8 in. hex. hd slot, pro. fin.)	
13	3	3	3	3	3	3	3	3	3	3	3	3	3	3	3	3	3	3	3	3	3	3	3	3	3	3	3	3	3	3	3	8650873P1	Movable contact support	
14	3	3	3	3	3	3	3	3	3	3	3	3	3	3	3	3	3	3	3	3	3	3	3	3	3	3	3	3	3	3	3	N144P16010C6	Screw and lock washer fastening contact support to armature (10-32, 5/8 in., pan hd, pro. fin.)	
15	3	3	3	3	3	3	3	3	3	3	3	3	3	3	3	3	3	3	3	3	3	3	3	3	3	3	3	3	3	3	3	8650870P3	Spring seat	
16	3	3	3	3	3	3	3	3	3	3	3	3	3	3	3	3	3	3	3	3	3	3	3	3	3	3	3	3	3	3	3	N144P16004C6	Screw and lock washer fastening spring seat to support (10-32, 1/4 in., pan hd., pro. fin.)	
17	3	3	3	3	3	3	3	3	3	3	3	3	3	3	3	3	3	3	3	3	3	3	3	3	3	3	3	3	3	3	3	2418818	Armature assembly	
18	3	3	3	3	3	3	3	3	3	3	3	3	3	3	3	3	3	3	3	3	3	3	3	3	3	3	3	3	3	3	3	8650870G1	Upper frame assembly	
19	1	1	1	1	1	1	1	1	1	1	1	1	1	1	1	1	1	1	1	1	1	1	1	1	1	1	1	1	1	1	1	981B172G2	Spring support	
20	1	1	1	1	1	1	1	1	1	1	1	1	1	1	1	1	1	1	1	1	1	1	1	1	1	1	1	1	1	1	1	129B5696G2	Screw fastening spring support to armature (1/4 in. -20, 5/8 in., hex. hd slot., pro. fin.)	
21	1	1	1	1	1	1	1	1	1	1	1	1	1	1	1	1	1	1	1	1	1	1	1	1	1	1	1	1	1	1	1	8087264G2	Spring for armature	
22	1	1	1	1	1	1	1	1	1	1	1	1	1	1	1	1	1	1	1	1	1	1	1	1	1	1	1	1	1	1	1	N26P26010B6	Eyebolt for spring	
23	1	1	1	1	1	1	1	1	1	1	1	1	1	1	1	1	1	1	1	1	1	1	1	1	1	1	1	1	1	1	1	2412649	Lock nut for eyebolt (1/4 in. -20, hex. std, pro. fin., NC2B)	
24	1	1	1	1	1	1	1	1	1	1	1	1	1	1	1	1	1	1	1	1	1	1	1	1	1	1	1	1	1	1	1	167A9802P1	Lower frame assembly	
25	2	2	2	2	2	2	2	2	2	2	2	2	2	2	2	2	2	2	2	2	2	2	2	2	2	2	2	2	2	2	2	N245P21B6	Screw fastening lower frame to upper frame (1/4 in. -20, 5/8 in., hex. hd slot., pro. fin.)	
26	1	1	1	1	1	1	1	1	1	1	1	1	1	1	1	1	1	1	1	1	1	1	1	1	1	1	1	1	1	1	1	129B5694G2	Nut (1/2 in. -13, hex. std, pro. fin.)	
27	4	4	4	4	4	4	4	4	4	4	4	4	4	4	4	4	4	4	4	4	4	4	4	4	4	4	4	4	4	4	4	N26P21010B6	Lock washer for nut	
28	1	1	1	1	1	1	1	1	1	1	1	1	1	1	1	1	1	1	1	1	1	1	1	1	1	1	1	1	1	1	1	N203P29B6	Retainer for operating coil	
29	1	1	1	1	1	1	1	1	1	1	1	1	1	1	1	1	1	1	1	1	1	1	1	1	1	1	1	1	1	1	1	N405P45B6	Spacing washer for operating coil	
30	1	1	1	1	1	1	1	1	1	1	1	1	1	1	1	1	1	1	1	1	1	1	1	1	1	1	1	1	1	1	1	147A6180	Operating coil	
31	Δ	Δ	Δ	Δ	Δ	Δ	Δ	Δ	Δ	Δ	Δ	Δ	Δ	Δ	Δ	Δ	Δ	Δ	Δ	Δ	Δ	Δ	Δ	Δ	Δ	Δ	Δ	Δ	Δ	Δ	Δ	157A5848P2	Holding coil	
32	1	1	1	1	1	1	1	1	1	1	1	1	1	1	1	1	1	1	1	1	1	1	1	1	1	1	1	1	1	1	1	See Table	Spring washer for holding coil	
33	1	1	1	1	1	1	1	1	1	1	1	1	1	1	1	1	1	1	1	1	1	1	1	1	1	1	1	1	1	1	1	See Table	Retainer for holding coil	
34	1	1	1	1	1	1	1	1	1	1	1	1	1	1	1	1	1	1	1	1	1	1	1	1	1	1	1	1	1	1	1	8636009P6	Stop for holding coil	
35	1	1	1	1	1	1	1	1	1	1	1	1	1	1	1	1	1	1	1	1	1	1	1	1	1	1	1	1	1	1	1	N910P87B6	Magnet core for holding coil	
36	1	1	1	1	1	1	1	1	1	1	1	1	1	1	1	1	1	1	1	1	1	1	1	1	1	1	1	1	1	1	1	8047152P1	Adjusting stud for armature	
37	1	1	1	1	1	1	1	1	1	1	1	1	1	1	1	1	1	1	1	1	1	1	1	1	1	1	1	1	1	1	1	9694771G1		
38	-	-	-	-	-	-	-	-	-	-	-	-	-	-	-	-	-	-	-	-	-	-	-	-	-	-	-	-	-	-	-	8047749		

Δ As required.

IC2800-1613 CONTACTORS

GEF-4311

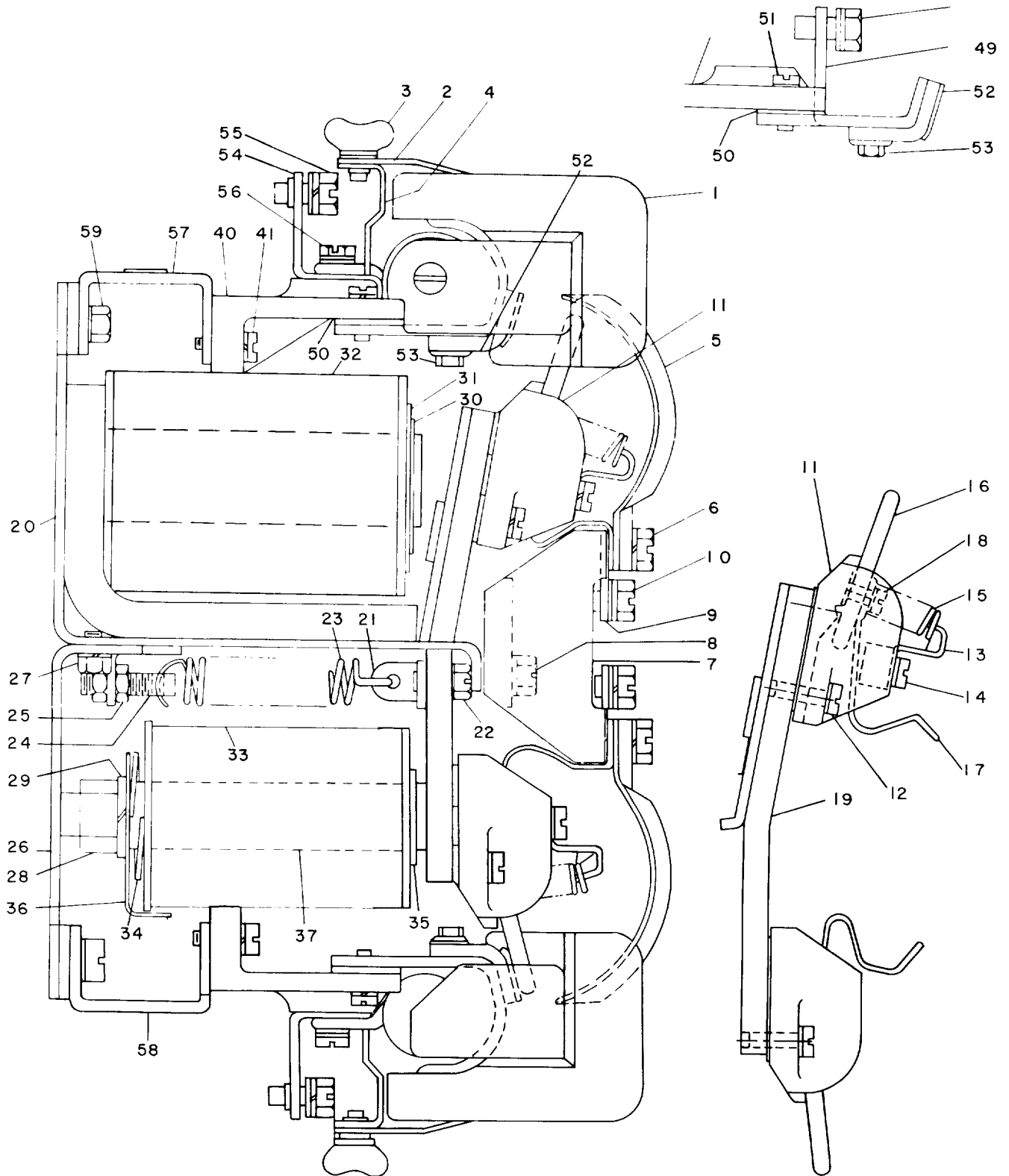


Fig. 1. IC2800-1613 contactor

COMPLETE LIST OF PARTS (CONT'D)

Ref. No.	No. Required for IC2800-1613-																								Catalog Number	Description						
	BA	BB	BC	BD	BE	BF	BG	BH	BJ	BK	BL	BM	BN	BP	BR	CA	CB	CC	CD	CE	CF	CG	CH	CJ			CK	CL	CM	CN	CP	CR
	1	1	1	1	1	1	1	1	1	1	1	1	1	1	1	1	1	1	1	1	1	1	1	1			1	1	1	1	1	1
39	-	-	-	-	-	1	1	1	1	1	1	1	1	1	1	1	1	1	1	1	1	1	1	1	1	1	1	1	1	1	N203P21B	Lock nut for adjusting stud
40	3	3	3	3	3	3	3	3	3	3	3	3	3	3	3	3	3	3	3	3	3	3	3	3	3	3	3	3	3	9043374P1	Base for stationary contact support or blowout coil	
41	6	6	6	6	6	6	6	6	6	6	6	6	6	6	6	6	6	6	6	6	6	6	6	6	6	6	6	6	6	N144P16010C6	Screw and lock washer fastening base to support (10-32, 5/8 in., pan hd slot, pro. fin.)	
42	3	3	3	3	-	3	3	3	3	3	3	3	3	3	3	3	3	3	3	3	3	3	3	3	3	3	3	3	3	8650868G1	Pole piece and magnet core for blowout coil, upper right-hand or lower left-hand	
43	3	3	3	3	-	3	3	3	3	3	3	3	3	3	3	3	3	3	3	3	3	3	3	3	3	3	3	3	3	8650868P9	Pole piece, upper left-hand or lower right-hand	
44	3	3	3	3	-	3	3	3	3	3	3	3	3	3	3	3	3	3	3	3	3	3	3	3	3	3	3	3	3	N57P15005B6	Screw fastening pole piece to magnet core (8-32, 5/16 in., pan hd slot, pro. fin.)	
45	3	3	3	3	-	3	3	3	3	3	3	3	3	3	3	3	3	3	3	3	3	3	3	3	3	3	3	3	3	9043375P4	Insulation for blowout coil, upper right-hand or lower left-hand	
46	3	3	3	3	-	3	3	3	3	3	3	3	3	3	3	3	3	3	3	3	3	3	3	3	3	3	3	3	3	9043375P3	Insulation for blowout coil, upper left-hand or lower right-hand	
47	3	3	3	-	-	3	3	-	-	-	-	-	-	-	-	-	-	-	-	-	-	-	-	-	-	-	-	-	-	9023914P1	Insulation tube for core	
48	3	3	-	-	-	3	-	-	-	-	-	-	-	-	-	-	-	-	-	-	-	-	-	-	-	-	-	-	-	9043373G1	Blowout coil and stationary contact support	
	-	-	-	-	-	-	-	-	-	-	-	-	-	-	-	-	-	-	-	-	-	-	-	-	-	-	-	-	-	3247664	Blowout coil and stationary contact support	
	-	-	-	-	-	-	-	-	-	-	-	-	-	-	-	-	-	-	-	-	-	-	-	-	-	-	-	-	-	3243604	Blowout coil, wire-wound	
	-	-	-	-	-	-	-	-	-	-	-	-	-	-	-	-	-	-	-	-	-	-	-	-	-	-	-	-	-	8650868P1	Blowout coil, wire-wound	
49	-	-	-	-	-	-	-	-	-	-	-	-	-	-	-	-	-	-	-	-	-	-	-	-	-	-	-	-	-	8650870P2	Stationary contact support	
50	3	3	3	3	3	3	3	3	3	3	3	3	3	3	3	3	3	3	3	3	3	3	3	3	3	3	3	3	3	394B522P9	Stationary contact support	
51	6	6	6	6	6	6	6	6	6	6	6	6	6	6	6	6	6	6	6	6	6	6	6	6	6	6	6	6	6	N144P16010C6	Spacer for stationary contact support	
52	3	3	3	3	3	3	3	3	3	3	3	3	3	3	3	3	3	3	3	3	3	3	3	3	3	3	3	3	3	6973075G1	Screw fastening contact support and spacer to base (10-32, 5/8 in., pan hd slot, pro. fin.)	
53	3	3	3	3	3	3	3	3	3	3	3	3	3	3	3	3	3	3	3	3	3	3	3	3	3	3	3	3	3	9384190P1	Stationary contact	
54	3	3	3	3	3	3	3	3	3	3	3	3	3	3	3	3	3	3	3	3	3	3	3	3	3	3	3	3	3	8650872P7	Screw and lock washer fastening stationary contact to support	
55	3	3	3	3	3	3	3	3	3	3	3	3	3	3	3	3	3	3	3	3	3	3	3	3	3	3	3	3	3	N26P21010B6	Connection strip	
56	3	3	3	3	3	3	3	3	3	3	3	3	3	3	3	3	3	3	3	3	3	3	3	3	3	3	3	3	3	N144P16008C6	Connection screw (1/4 in. -20, 5/8 in., hex, hd slot, pro. fin.)	
57	1	1	1	1	1	1	1	1	1	1	1	1	1	1	1	1	1	1	1	1	1	1	1	1	1	1	1	1	1	129B5702P1	Screw fastening blowout coil and connection strip to base (10-32, 1/2 in., pan hd slot, pro. fin.)	
58	1	1	1	1	1	1	1	1	1	1	1	1	1	1	1	1	1	1	1	1	1	1	1	1	1	1	1	1	1	129B5702P2	Supporting bracket for base, upper	
59	4	4	4	4	4	4	4	4	4	4	4	4	4	4	4	4	4	4	4	4	4	4	4	4	4	4	4	4	4	N26P21006B6	Supporting bracket for base, lower	