

RENEWAL PARTS

IC2800-1175 CONTACTORS

Forms R, S, T, U, V, W, AC, AD, AE

NOTE:- When ordering parts for a form of the contactor not covered by this bulletin, give reference number, description of part, complete nameplate reading, and above bulletin (GEF) number. Do not use catalog number when form for which the parts are needed is not covered by the bulletin.

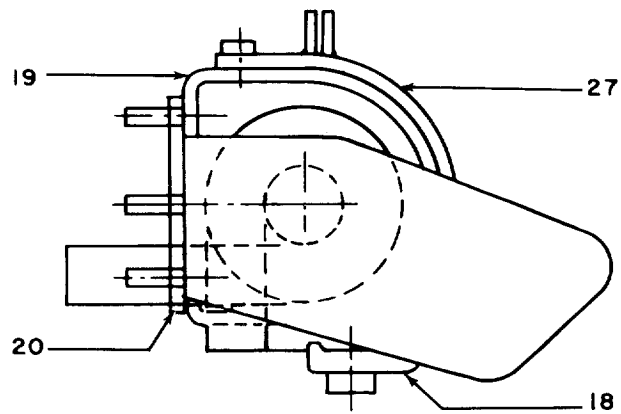
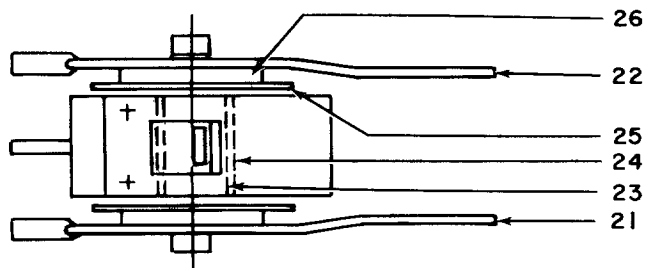
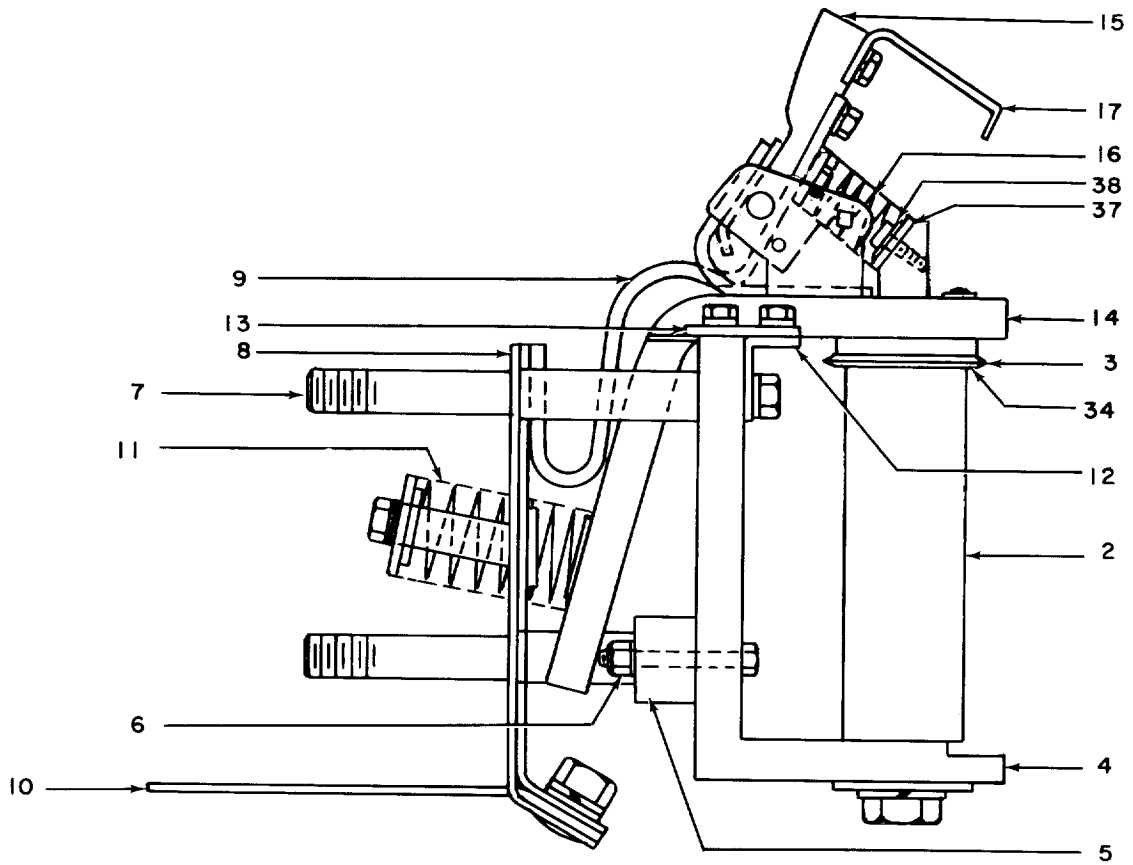
PRINCIPAL RENEWAL PARTS

Ref. No.	IC 2800-1175-									Catalog Number	Description
	R	S	T	U	V	W	AC	AD	AE		
1	1	1	1	1	1	1	1	1	1	-----	Operating coil (see Table 1)
	x	x	x	x	x	x	x	x	x	-----	Set of interlock contacts (see Tables 2, 3, 4)
9	1	1	1	1	1	1	1	1	1	5303568G1	Shunt with connection strip
11	1	1	-	1	-	1	-	-	-	2416423	Compression spring for armature
11	-	-	1	-	1	-	1	1	-	574A731	Compression spring for armature
15	1	-	-	1	-	1	-	-	1	5350495	Movable contact
15	-	1	-	-	-	-	-	-	-	5306170G4	Movable contact
15	-	-	1	-	1	-	1	1	-	118B5324G2	Movable contact
16	1	1	-	1	-	1	-	-	1	144A1386	Compression spring for movable contact
16	-	-	1	-	1	-	1	1	-	2415303	Compression spring for movable contact
18	1	-	-	1	-	-	-	-	1	8617333	Stationary contact
18	-	1	-	-	-	-	-	-	-	9034293G2	Stationary contact
18	-	-	1	-	1	1	1	1	-	118B5324G1	Stationary contact
30	1	1	-	1	-	-	-	-	1	9004333P1	Arc chute side, right-hand
31	1	1	-	1	-	-	-	-	1	9004334P1	Arc chute side, left-hand

When ordering renewal parts, give quantity, catalog number, description of each item required, and complete nameplate reading.

GENERAL  ELECTRIC

IC2800-1175 CONTACTORS



IC2800-1175 CONTACTORS

GEF-4541

Ref. No.	IC 2800-1175-									Catalog Number	Description
	R	S	T	U	V	W	AC	AD	AE		
2	1	-	1	1	1	1	1	1	1	5304780G4	Magnet core for operating coil
2	-	1	-	-	-	-	-	-	-	5304780G5	Magnet core for operating coil
3	1	1	1	1	1	1	1	1	1	8626009P10	Retaining washer for operating coil
4	1	1	1	1	1	1	1	1	1	6982581P2	Magnet frame
5	1	1	1	-	-	1	1	-	1	6982580P2	Stop for armature
5	-	-	-	1	1	-	-	-	1	6982580P10	Stop for armature
6	2	2	2	2	2	2	2	2	2	577A104P4	Elastic stop nut for screw fastening armature stop
7	3	3	3	3	3	3	3	3	3	6982580P4	Support post for magnet frame
8	1	1	1	1	1	1	1	1	1	6969501G2	Base plate with spring support
9	1	1	1	1	1	1	1	1	1	5303568G1	Shunt with connection strip
10	1	1	1	1	1	1	1	1	1	5351618	Bus bar for shunt
11	1	1	-	1	-	1	-	-	1	2416423	Compression spring for armature
11	-	-	1	-	1	-	1	1	-	574A731	Compression spring for armature
12	1	1	1	1	1	1	1	1	1	6982580P1	Support bracket for guide plate (left)
12	1	1	1	1	1	1	1	1	1	6982580P11	Support bracket for guide plate (right)
13	2	2	2	2	2	2	2	2	2	6980186P3	Guide plate for armature
14	1	1	1	1	1	1	1	1	1	9055297G1	Armature and support for movable contact
15	1	-	-	1	-	1	-	-	1	5350495	Movable contact
15	-	1	-	-	-	-	-	-	-	5306170G4	Movable contact
15	-	-	1	-	1	-	1	1	-	118B5324G2	Movable contact
16	1	1	-	1	-	1	-	-	1	144A1386	Compression spring for movable contact
16	-	-	1	-	1	-	1	1	-	2415303	Compression spring for movable contact
17	1	1	-	1	-	-	-	-	1	5354669P2	Arcing horn for movable contact
18	1	-	-	1	-	-	-	-	1	8617333	Stationary contact
18	-	1	-	-	-	-	-	-	-	9034293G2	Stationary contact
18	-	-	1	-	1	1	1	1	-	118B5324G1	Stationary contact
19	1	1	-	1	-	-	-	-	1	8650444G1	Blowout coil with studs and support for stationary contact
20	1	1	-	-	-	-	-	-	1	119A5410P1	Spacer between blowout coil and base
20	-	-	-	1	-	-	-	-	-	119A5410P2	Spacer between blowout coil and base
21	1	1	-	1	-	-	-	-	1	9034271G3	Pole piece, outer, with spacer for blowout coil
22	1	1	-	1	-	-	-	-	1	9034271G4	Pole piece, outer, with spacer for blowout coil
23	1	1	-	1	-	-	-	-	1	8617335	Magnet core for blowout coil
24	1	1	-	-	-	-	-	-	1	9023364P1	Insulation sleeve for core
24	-	-	-	1	-	-	-	-	-	9023364P2	Insulation sleeve for core
25	2	2	-	-	-	-	-	-	2	284A955P1	Insulation washer for blowout coil
25	-	-	-	2	-	-	-	-	-	284A955P2	Insulation washer for blowout coil
26	2	2	-	2	-	-	-	-	2	8617334	Washer for blowout coil
27	1	1	-	1	-	-	-	-	1	8650326G2	Burning strip for blowout coil
28	1	1	-	-	-	-	-	-	1	5352171P1	Insulation spacer for blowout coil stud and terminal
28	-	-	-	1	-	-	-	-	-	5352171P2	Insulation spacer for blowout coil stud and terminal
29	1	1	-	1	-	-	-	-	1	117A7313G1	Arc chute assembly
30	1	1	-	1	-	-	-	-	1	9004333P1	Arc chute side, right-hand
31	1	1	-	1	-	-	-	-	1	9004334P1	Arc chute side, left-hand
32	-	-	1	-	1	1	1	1	-	5341043G8	Support and bus assembly
33	-	-	1	-	-	1	1	-	-	5359191P1	Support
33	-	-	-	-	1	-	-	1	-	5359191P2	Support
34	2	2	2	-	-	2	2	2	2	147A5848P6	Washer for coil
34	-	-	-	2	2	-	-	-	-	147A5848P10	Washer for coil
35	-	-	1	-	1	1	2	2	-	162A3184P4	Spacer
36	-	-	3	-	3	3	3	3	-	162A3184P5	Spacer
37	3	3	3	3	3	3	3	3	3	162A3184P6	Spacer for movable contact spring
38	1	1	1	1	1	1	1	1	1	162A3184P7	Spring seat for movable contact spring
-	x	x		x						See Table 2	Electrical interlock
-			x		x					See Table 3	Electrical interlock
-						x	x	x		See Table 4	Electrical interlock

IC2800-1175 CONTACTORS

TABLE 1. OPERATING COILS

NOTE: The operating coil is identified by the number following the form letter in the IC designation.

EXAMPLE: IC2800-1175-R-2-B requires operating coil number 2, 22D136G2A.

Coil No.	Catalog Number	Coil No.	Catalog Number
2	22D136G2A	21	22D136G3A
3	22D136G3A	22	22D136G2A
4	22D136G2A	23	22D136G17A
5	22D136G17A	24	22D136G5A
6	22D136G5A	25	22D136G4A
7	22D136G5A	26	22D136G11A
8	22D136G4A	27	22D136G12A
9	22D136G11A	28	22D136G21A
10	22D136G12A	29	22D136G14A
11	22D136G21A	30	22D136G7A
12	22D136G14A	31	22D136G15A
13	22D136G7A	32	22D136G25A
14	22D136G15A	33	22D136G14A
15	22D136G25A	34	22D136G16A
16	22D136G6A	35	22D136G14A
17	22D136G14A	36	22D136G26A
18	22D136G16A	37	22D136G16A
19	22D136G14A	38	22D136G9A
20	22D136G2A		

IC2800-1175 CONTACTORS

GEF-4541

TABLE 2. ELECTRICAL INTERLOCKS

NOTE: The interlock is identified by the letter following the coil number in the IC designation.

EXAMPLE: IC2800-1175-R-2-B requires interlock letter B, Cat. No. IC2956A200C.

FOR FORMS R, S, U ONLY

Interlock Letter	Interlock Switch Unit		*Set of Interlock Contacts Cat. No.	δInterlock Mounting Kit Cat. No.	
	Left-hand	Right-hand			
	Cat. No.	Cat. No.			
B	IC2956A200C	-----	} 6960053G3	} IC2956A203F	
C	IC2956A200B	-----			
D	IC2956A200A	-----			
E	-----	IC2956A200C			
F	-----	IC2956A200B			
G	-----	IC2956A200A			
H	IC2956A200A	IC2956A200A			
J	IC2956A200C	IC2956A200A			
K	IC2956A200C	IC2956A200C			
L	IC2956A200C	IC2956A200B			
M	IC2956A200B	IC2956A200B	} 6960053G22		
N	-----	IC2956A200AJ			
P	-----	IC2956A200AK			
R	-----	IC2956A200AH			
S	IC2956A200AK	-----			
AB	IC2956A200AC	-----			
AC	IC2956A200AB	-----			} 6960053G3
AD	IC2956A200AA	-----			
AE	-----	IC2956A200AC			
AF	-----	IC2956A200AB			
AG	-----	IC2956A200AA			
BB	IC2956A205C	-----			
BC	IC2956A205B	-----			
BD	IC2956A205A	-----	} 6960053G46		
BE	-----	IC2956A205C			
BF	-----	IC2956A205B			
BG	-----	IC2956A205A			
BH	IC2956A200A	IC2956A205A			
BJ	IC2956A200A	IC2956A205C			
BK	IC2956A200A	IC2956A205B			
BL	IC2956A200C	IC2956A205A			
BM	IC2956A200C	IC2956A205C			
BN	IC2956A200C	IC2956A205B		} †6960053G3 ‡6960053G46	
BP	IC2956A200B	IC2956A205A			
BR	IC2956A200B	IC2956A205C			
BS	IC2956A200B	IC2956A205B			
CB	IC2956A205C	-----			
CC	IC2956A205B	-----			
CD	IC2956A205A	-----			
CE	-----	IC2956A205C	} 6960053G46		
CF	-----	IC2956A205B			
CG	-----	IC2956A205A			

* Includes movable and stationary contacts with springs and contact holding screws (one set for each switch unit)

δ One mounting kit is required for each switch unit

† Left side

‡ Right side

IC2800-1175 CONTACTORS

TABLE 3. ELECTRICAL INTERLOCKS

NOTE: The interlock is identified by the letter following the coil number in the IC designation.

EXAMPLE: IC2800-1175-T-2-B requires interlock letter B, Cat. No. IC2956A200C.

FOR FORMS T, V, W ONLY

Interlock Letter	Interlock Switch Unit		*Set of Interlock Contacts Cat. No.	δInterlock Mounting Kit Cat. No.
	Left-hand	Right-hand		
	Cat. No.	Cat. No.		
B	IC2956A200C	-----	6960053G3	IC2956A203 F
C	IC2956A200B	-----		
D	IC2956A200A	-----		
E	-----	IC2956A200C		
F	-----	IC2956A200B		
G	-----	IC2956A200A		
H	IC2956A200A	IC2956A200A		
J	IC2956A200C	IC2956A200A		
K	IC2956A200C	IC2956A200C		
L	IC2956A200C	IC2956A200B		
M	IC2956A200B	IC2956A200B		
N	-----	IC2956A200AJ	6960053G22	
P	-----	IC2956A200AK		
R	-----	IC2956A200AH		
S	IC2956A200AK	-----	6960053G3	
AB	IC2956A200AC	-----		
AC	IC2956A200AB	-----		
AD	IC2956A200AA	-----	6960053G22	
AE	-----	IC2956A200AC		
AF	-----	IC2956A200AB		
AG	-----	IC2956A200AA	6960053G46	
BB	IC2956A205C	-----		
BC	IC2956A205B	-----		
BD	IC2956A205A	-----		
BE	-----	IC2956A205C		
BF	-----	IC2956A205B	†6960053G3 ‡6960053G46	
BG	-----	IC2956A205A		
BH	IC2956A200A	IC2956A205A		
BJ	IC2956A200A	IC2956A205C		
BK	IC2956A200A	IC2956A205B		
BL	IC2956A200C	IC2956A205A		
BM	IC2956A200C	IC2956A205C		
BN	IC2956A200C	IC2956A205B		
BP	IC2956A200B	IC2956A205A		
BR	IC2956A200B	IC2956A205C		
BS	IC2956A200B	IC2956A205B	6960053G3	
CB	IC2956A200C	-----		
CC	IC2956A200B	-----		
CD	IC2956A200A	-----		
CE	-----	IC2956A200C		
CF	-----	IC2956A200B		
CG	-----	IC2956A200A		
CH	IC2956A200A	IC2956A200A		
CJ	IC2956A200C	IC2956A200A		
CK	IC2956A200BE	IC2956A200BE		
CL	IC2956A200C	IC2956A200B	6960053G22	
CM	IC2956A200B	IC2956A200B		
CN	-----	IC2956A200AJ	6960053G3	
CP	-----	IC2956A200AK		
CR	-----	IC2956A200AH		
CS	IC2956A200AK	-----	6960053G22	
CT	IC2956A200C	IC2956A200C		
DE	IC2956A200AC	-----		
DC	IC2956A200AB	-----	6960053G22	
DD	IC2956A200AS	-----		
DE	-----	IC2956A200AC		
DF	-----	IC2956A200AB	6960053G22	
DG	-----	IC2956A200AA		

* Includes movable and stationary contacts with springs and contact holding screws (one set for each switch unit)

δ One mounting kit is required for each switch unit

† Left side

‡ Right side

IC2800-1175 CONTACTORS

GEF-4541

TABLE 3. ELECTRICAL INTERLOCKS (CONT'D)

Interlock Letter	Interlock Switch Unit		*Set of Interlock Contacts Cat. No.	δInterlock Mounting Kit Cat. No.
	Left-hand Cat. No.	Right-hand Cat. No.		
	EB	IC2956A205C	-----	} 6960053G46 } †6960053G3 } ‡6960053G46
EC	IC2956A205B	-----		
ED	IC2956A205A	-----		
EE	-----	IC2956A205C		
EF	-----	IC2956A205B		
EG	-----	IC2956A205A		
EH	IC2956A200A	IC2956A205A		
EJ	IC2956A200A	IC2956A205C		
EK	IC2956A200A	IC2956A205B		
EL	IC2956A200C	IC2956A205A		
EM	IC2956A200C	IC2956A205C		
EN	IC2956A200C	IC2956A205B		
EP	IC2956A200B	IC2956A205A		
ER	IC2956A200B	IC2956A205C		
ES	IC2956A200B	IC2956A205B		

* Includes movable and stationary contacts with springs and contact holding screws (one set for each switch unit)

δ One mounting kit is required for each switch unit

† Left side

‡ Right side

TABLE 4. ELECTRICAL INTERLOCKS

NOTE: The interlock is identified by the letter following the coil number in the IC designation.

EXAMPLE: IC2800-1175-AC-2-CB requires interlock letter CB, Cat. No. IC2956A200C.

FOR FORMS AC, AD, AE ONLY

Interlock Letter	Interlock Switch Unit		*Set of Interlock Contacts Cat. No.	δInterlock Mounting Kit Cat. No.
	Left-hand Cat. No.	Right-hand Cat. No.		
	CB	IC2956A200C	-----	} 6960053G3
CC	IC2956A200B	-----		
CD	IC2956A200A	-----		
CE	-----	IC2956A200C		
CF	-----	IC2956A200B		
CG	-----	IC2956A200A		
CH	IC2956A200A	IC2956A200A		
CJ	IC2956A200C	IC2956A200A		
CK	IC2956A200BE	IC2956A200BE		
CL	IC2956A200C	IC2956A200B		
CM	IC2956A200B	IC2956A200B	} 6960053G22	
CN	-----	IC2956A200AJ		
CP	-----	IC2956A200AK		
CR	-----	IC2956A200AH		
CS	IC2956A200AK	-----		
CT	IC2956A200C	IC2956A200C	} 6960053G3	

* Includes movable and stationary contacts with springs and contact holding screws (one set for each switch unit)

δ One mounting kit is required for each switch unit

IC2800-1175 CONTACTORS

STANDARD HARDWARE

SCREWS

Cat. No.	Description
N22P25012B	3/8 in. -16 by 3/4 in., pro fin
N22P29032B6	1/2 in. -13 by 2 in., pro fin
N22P35024B	3/4 in. -10 by 1 1/2 in., pro fin
N26P21006B	1/4 in. -20 by 3/8 in., slot, pro fin
N26P21008B	1/4 in. -20 by 1/2 in., slot, pro fin
N26P21010B	1/4 in. -20 by 5/8 in., slot, pro fin
N26P21020B	1/4 in. -20 by 1 1/4 in., slot, pro fin
N26P21032B	1/4 in. -20 by 2 in., slot, pro fin
N26P23010B	5/16 in. -18 by 5/8 in., slot, pro fin
N26P23048B	5/16 in. -18 by 3 in., slot, pro fin
N51P16007B	10-32 by 7/16 in., flat hd, slot, pro fin
N57P21010B	1/4 in. -20 by 5/8 in., pan hd, slot, pro fin

WASHERS

Cat. No.	Description
N402P15B	Narrow, for 1/2 in. screw
N402P45B	Regular, for 1/2 in. screw
N402P48B	For 3/4 in. screw

LOCK WASHERS

Cat. No.	Description
N405P18B	For 3/4 in. screw
N405P41B	For 1/4 in. screw
N405P42B	For 5/16 in. screw
N405P43B	For 3/8 in. screw
N405P45B	For 1/2 in. screw

NUTS

Cat. No.	Description
N203P25B	3/8 in. -16 steel
N203P29B	1/2 in. -13 steel
N210P23B	5/16 in. -18 steel

GENERAL ELECTRIC COMPANY
INDUSTRIAL CONTROL DEPARTMENT
SALEM, VA. 24153

GENERAL  ELECTRIC