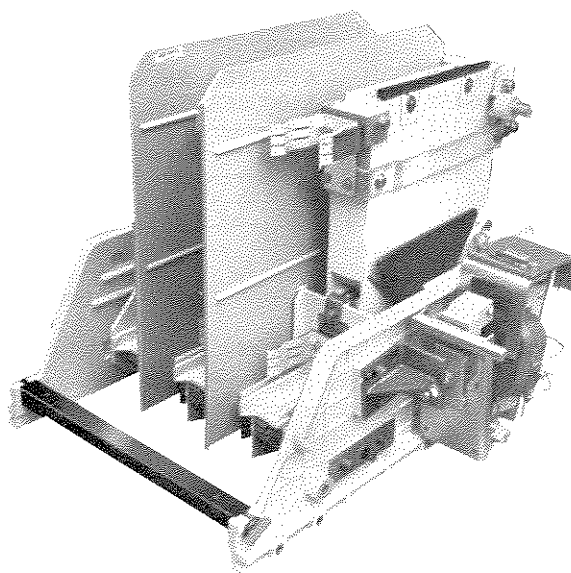
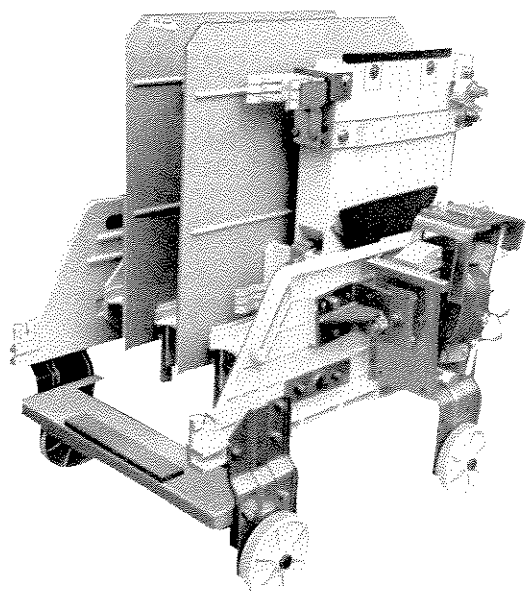


RENEWAL PARTS

IC302D HIGH VOLTAGE CONTACTORS

DA2----200A-2300V
 DA4----400A-2300V
 DB2 ----200A-4800V
 DB4----400A-4800V

DD5----200A-7200V
 DD6----400A-7200V
 DE6 ----400A-6600V }
 7200V }



PARTS RECOMMENDED FOR NORMAL STOCK

NOTE: The current is identified by the number following the voltage letter in the IC designation.

EXAMPLE: IC302DA4AA1A312AA2A is a 400 amp. contactor.

Ref. No.	No. Req'd for IC302D-----		Catalog Number	Description
	200 Amp	400 Amp		
1	1	1	-----	Operating coils (see table on page 2)
27	3	3	2416875P1	Compression spring for moving contact (DA or DB)
27	3	3	177A4412	Compression spring for moving contact (DD5, DD6 or DE6)
28	3	3	167A8898G1	Main moving contact assembly
31	3	-	188A5535G2	Shunt for moving contact
31	-	3	188A5535G1	Shunt for moving contact
34	3	3	167A8898G1	Main stationary contact
62	78	78	104B9931P1	Arc barrier plate (IC designations AA and AB only)
62	36	36	177B3253P3	Arc barrier plate (IC designations BA, BB, DA, EA, ED only)
62	36	36	177B3253P4	Arc barrier plate (IC designations BA, BB, DA, EA, ED only)
88	12	12	125A4278P3	Contact finger for stab-on
89	3	3	174A4422P1	Spring for stab-on finger

When ordering renewal parts, give quantity, catalog number, description of each item required, and complete nameplate reading.

GENERAL  ELECTRIC

IC302D HIGH VOLTAGE CONTACTORS

REF. NO. 1 - OPERATING COILS - 1 Required

NOTE: The operating coil (also pick-up resistor, holding resistor and rectifier when required) are identified by the number following the form letter in the IC designation.

EXAMPLE: IC302DA4AA1A312AA3A requires operating coil No. 312, Cat. No. 1D130G152, holding resistor A100G50EA-TH, and rectifier Cat. No. IC3500A403C2.

Coil No.	Catalog Number	Δ Pick-up Resistor (1 Required) Catalog Number	Δ Holding Resistor Catalog Number	No. Req'd	Δ Rectifier Catalog Number	No. Req'd
32	1D300G118	-----	A100G100EA-TH	2	-----	-
33	1D300G154	-----	A100G250EA-TH	2	-----	-
34	1D300G130	-----	A100G25EA-TH	1	-----	-
35	1D300G118	-----	A100G5EA-TH	1	-----	-
36	1D300G150	-----	A100G100EA-TH	2	-----	-
			A100G5EA-TH	1	-----	-
			A100G2EA-TH	1	-----	-
37	1D300G149	A100G3EA-TH	A100G500EA-TH	1	-----	-
38	1D300G152	A100G2EA-TH	A100G50EA-TH	2	-----	-
312	1D300G138	-----	A100G50EA-TH	1	IC3500A403C2	1
313	1D300G144	-----	A100G500EA-TH	1	IC3500A403C6	1
314	1D300G139	-----	A100G750EA-TH	1	IC3500A403C5	1
315	1D300G140	-----	A100G1250EA-TH	1	IC3500A403C8	1

Δ Must be ordered separately.

LATCH ASSEMBLY ONLY - 1 Required

NOTE: The latch assembly is identified by the form letter following the coil number in the IC designation.

EXAMPLE: IC302DA4AA1A312AB3A requires Form Letter AB, Cat. No. 136C1754G9.

Form Letter	Catalog Number	Form Letter	Catalog Number	Form Letter	Catalog Number	Form Letter	Catalog Number
AB*	136C1754G9	AD*	136C1754G8	AF	136C1754G7	AH	136C1754G9
AC*	136C1754G7	AE	136C1754G5	AG	136C1754G8		

* Wire harness (Cat. No. 7128R73) must be ordered separately, if used.

LATCH AND TRIP BAR ASSEMBLIES - 1 Required

NOTE: The latch and trip bar assemblies are identified by the form letter following the coil number in the IC designation.

EXAMPLE: IC302D4A1A312BB3A requires Form Letter BB, Latch Assy Cat. No. 136C1754G9 and Trip Bar Assy Cat. No. 685D963G2.

Form Letter	Latch Assy. Cat. No.	Trip Bar Assy. Cat. No.	Form Letter	Latch Assy. Cat. No.	Trip Bar Assy. Cat. No.
BA	-----	685D963G1	BF†	136C1754G7	685D963G3
BB∅	136C1754G9	685D963G2	BG†	136C1754G8	685D963G3
BC∅	136C1754G7	685D963G2	BH†	136C1754G9	685D963G3
BD∅	136C1754G8	685D963G2			

∅ With wire harness.

† Without wire harness.

TRIP SOLENOID FOR LATCH ASSY (1 Required)

NOTE: The solenoid is identified by the number following the latch assembly form letter in the IC designation.

EXAMPLE: IC302DA4A312AB3A requires Solenoid No. 3, Cat. No. CR9500A201CM7A.

Solenoid Form No.	Solenoid Catalog Number	Solenoid Coil Catalog Number	Rectifier Catalog Number	Solenoid Form No.	Solenoid Catalog Number	Solenoid Coil Catalog Number	Rectifier Catalog Number
2	None used			53	CR9500A201CM2A	15D2G2	-----
3	CR9500A201CM7A	15D2G55	-----	54	CR9500A201CM3A	15D2G3	-----
4	CR9500A201CM8A	15D2G69	-----	55	CR9500A201CM7A	15D2G7	-----
5	CR9500A201CM3A	15D2G80	-----	75	CR9500A201CM9A	15D2G14	IC3500A403C2
6	CR9500A201CM5A	15D2G88	-----	76	CR9500A201CM11A	15D2G3	IC3500A403C6

IC302D HIGH VOLTAGE CONTACTORS

GEF-4575

NOTE: The arc chute and fuse base assembly is determined by the ninth and tenth digit in the IC designation.

EXAMPLE: IC302DA4AA1A312AA2A requires arc chute and fuse base assembly designation AA. Listed below are the different designation and voltage ratings.

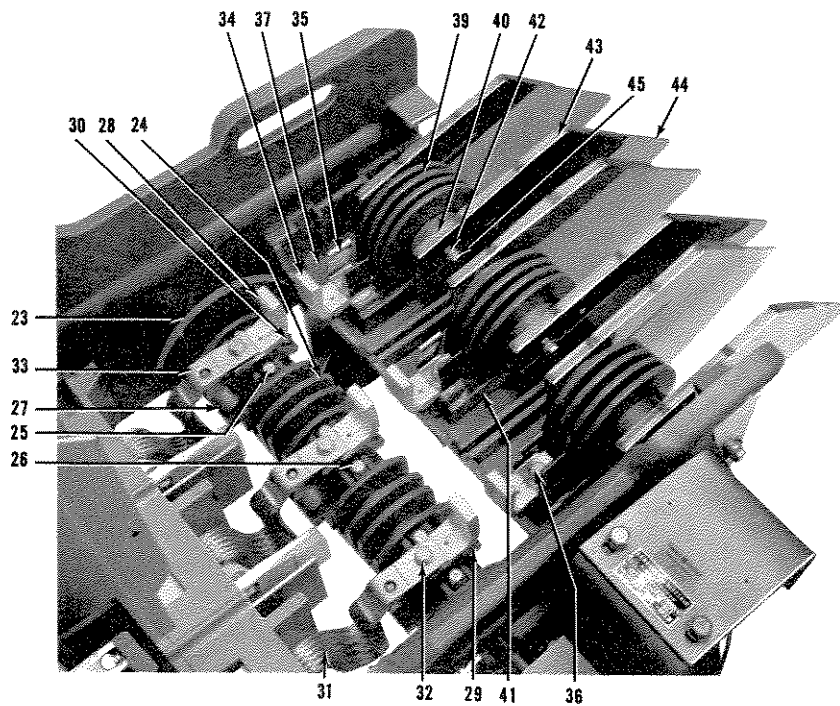
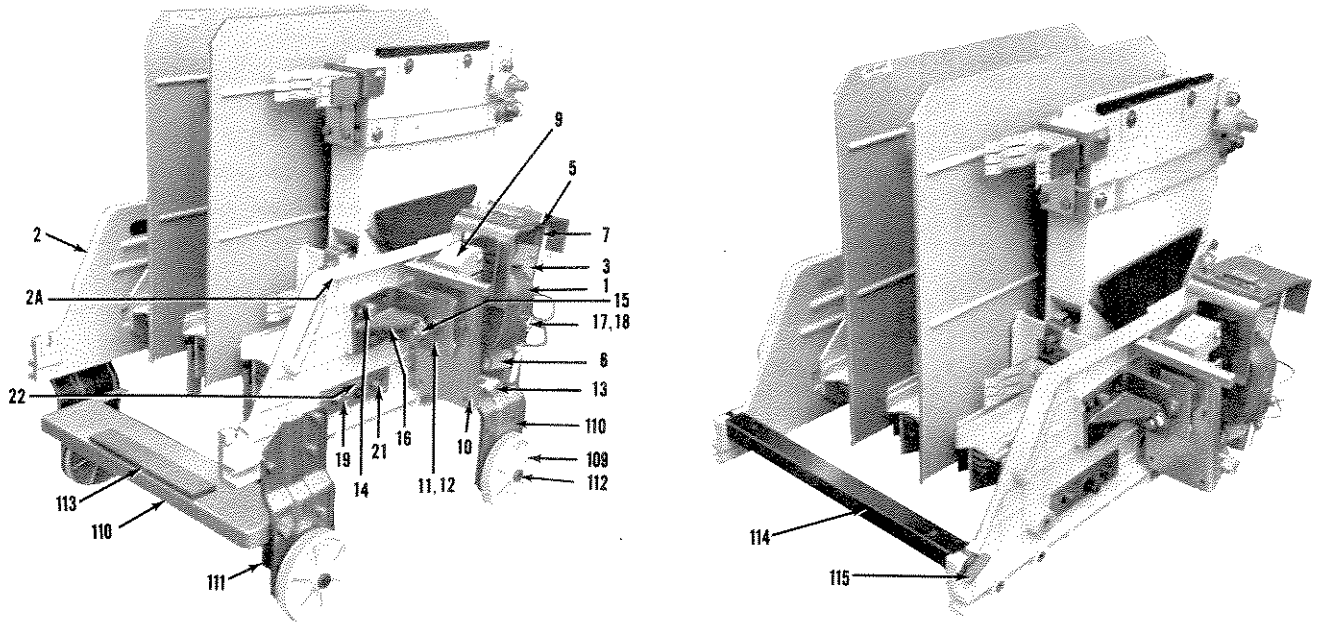
ARC CHUTE AND FUSE BASE ASSEMBLY

- AA - 2300 VOLT, FUSE, STABS, NON U. L.
- AB - 4800 VOLT, FUSE, STABS, NON U. L.
- BA - 2300 VOLT, FUSE, STABS, U. L. FOR LIMITAMP ONLY.
- BB - 4800 VOLT, FUSE, STABS, U. L. FOR LIMITAMP ONLY.
- DA - 7200 VOLT, FUSE, STABS, NON U. L.
- EA - 6600 VOLT, 25 HZ, FUSE, STABS, NON U. L.
- ED - 6600 VOLT, 25 HZ, SHORTING BAR, STABS, NON U. L.

Ref. No.	No. Req'd for IC Designation							Catalog Number	Description
	AA	AB	BA	BB	DA	EA	ED		
	3	3	-	-	-	-	-	177B8794G1	Arc chute assembly
	-	-	-	-	3	3	3	177B8794G3	Arc chute assembly
	-	-	3	3	-	-	-	177B8794G8	Arc chute assembly
60	3	3	3	3	3	3	3	501D196P1	Arc chute side, left
61	3	3	3	3	3	3	3	501D196P2	Arc chute side, right
62	78	78	-	-	-	-	-	104B9931P1	Arc barrier plate
62	-	-	36	36	36	36	36	177B3253P3	Arc barrier plate
62	-	-	36	36	36	36	36	177B3253P4	Arc barrier plate
63	3	3	3	3	3	3	3	149B1784G2	Barrier holder
64	3	3	3	3	3	3	3	177B3273P1	Chute insert, left
65	3	3	3	3	3	3	3	177B3273P2	Chute insert, right
66	3	3	3	3	3	3	3	245A1235P1	Deflector
	3	3	3	3	3	3	3	151A7164P10	Mica tubing
67	3	3	3	3	3	3	3	139B8999G1	Chute block assembly
68	6	6	6	6	6	6	6	577A177P5	Mounting bolt for chute block
69	3	3	3	3	3	3	3	188A5554G1	Nut plate
	-	-	-	-	-	-	-	245A4320P1	Shims (as required) (for tight bundle of barriers)
	-	-	-	-	-	-	-	245A4320P2	Shims (as required) (for tight bundle of barriers)
	3	3	3	3	-	-	-	194B8338G1	Arcing horn assembly, front
	-	-	-	-	3	3	3	194B8338G3	Arcing horn assembly, front
70	3	3	3	3	-	-	-	194B8340P1	Main arcing horn
70	-	-	-	-	3	3	3	194B8340P4	Main arcing horn
71	3	3	3	3	3	3	3	259A8786P1	Spacer
72	3	3	3	3	3	3	3	259A5550P1	Hooked shaped end plate
	6	6	6	6	6	6	6	N57P16008C6	Screw fastening spacer or end plate to horn (10-32, 1/2 in., pan hd, pro fin)
	3	3	3	3	-	-	-	194B8338G2	Arcing horn assembly, rear
	-	-	-	-	3	3	3	194B8338G4	Arcing horn assembly, rear
73	3	3	3	3	-	-	-	194B8340P2	Main arcing horn
73	-	-	-	-	3	3	3	194B8340P5	Main arcing horn
74	3	3	3	3	-	-	-	259A5543P1	Block
74	-	-	-	-	3	3	3	259A5543P3	Block
	3	3	3	3	-	-	-	259A5543P2	Block
	-	-	-	-	3	3	3	259A5543P4	Block
75	3	3	3	3	3	3	3	194B8337P1	Spacer
76	3	3	3	3	3	3	3	259A8786P1	Spacer
77	2	2	2	2	2	-	2	139B7619P1	Barrier between arc chutes
77	-	-	-	-	-	2	-	187B9448P1	Barrier between arc chutes
78	1	1	1	1	1	1	1	158C1805G1	Fuse base and shunt plate assembly
79	3	3	3	3	-	-	-	188A5599P1	Spring support
	3	3	3	3	-	-	-	188A5534P1	Fuse clip
80	3	3	3	3	3	3	3	139B8179P12	Ground strap
81	6	6	6	6	-	-	-	N22P23024B6	Mounting screw for ground strap, fuse clip, and spring support (5/16-18, 1 1/2 in., hex, pro fin)
82	3	3	3	3	3	3	3	139B8179P3	Nut block
82A	3	3	3	3	3	3	3	188A5292P1	Support for nut block
83	3	3	3	3	3	3	3	194A7125P1	Saddle
83A	3	3	3	3	3	3	3	205A9613P6	Bus spacer
83B	-	-	-	-	-	-	3	205A9613P5	Shorting bar
	3	3	3	3	3	3	3	577A177P5	Mounting screw for saddle, bus spacer, and shorting bar
84	1	1	1	1	1	1	1	116C9907P1	Chute tie bar
84A	1	1	1	1	1	1	1	194A6900G2	Shaft assembly for left-hand arc chute assembly
84B	1	1	1	1	1	1	1	194A6900G1	Shaft assembly for right-hand arc chute assembly
85	1	1	1	1	1	1	1	116C9908P4	Operating shaft left-half for shaft assembly
	1	1	1	1	1	1	1	116C9908P3	Operating shaft right-half for shaft assembly
	3	3	3	3	-	-	-	195B7789G1	Stab assembly
	-	-	-	-	3	3	-	195B7789G2	Stab assembly
	-	-	-	-	-	-	3	195B7789G3	Stab assembly

IC302D HIGH VOLTAGE CONTACTORS

GEF-4575



IC302D HIGH VOLTAGE CONTACTORS

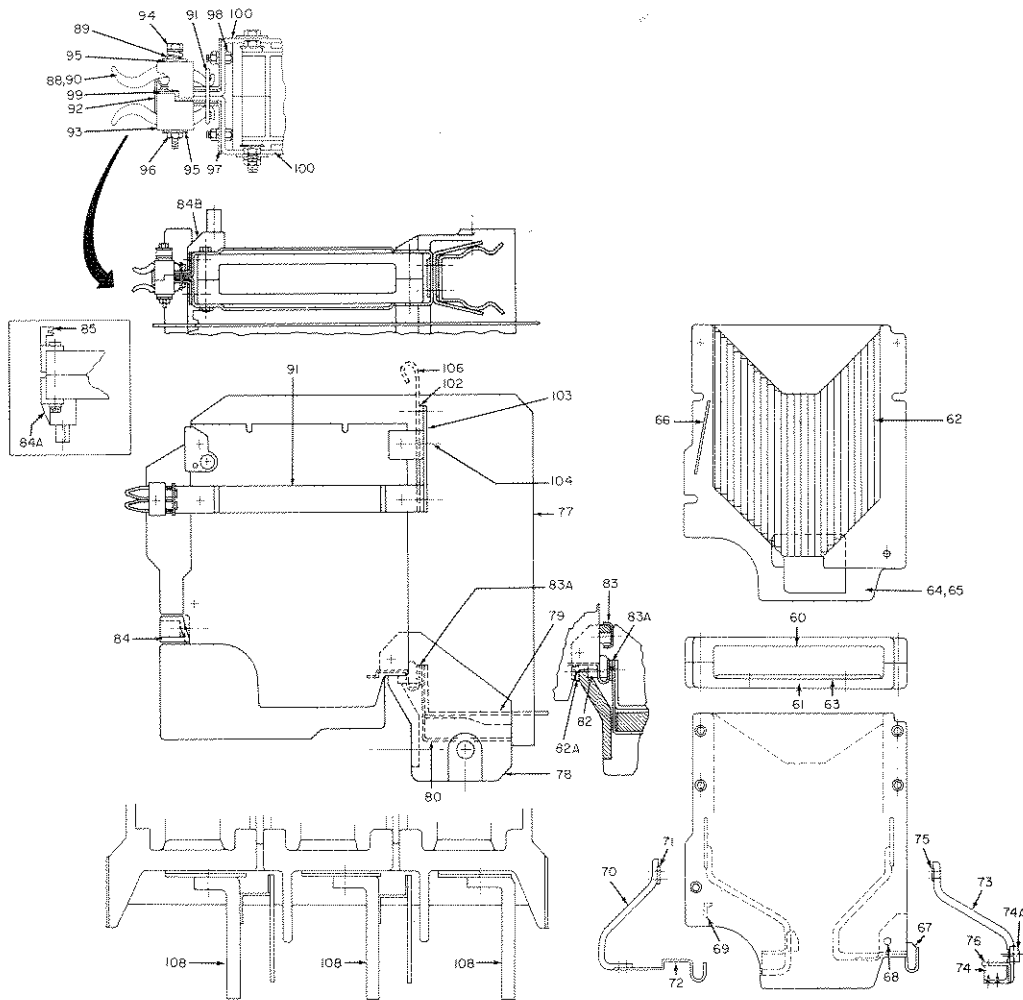
GEF-4575

NOTE: The current is identified by the number following the voltage letter in the IC designation.

EXAMPLE: IC302DA4AA1A312AA2A is a 400 amp. contactor.

Ref. No.	No. Req'd for IC302D-----		Catalog Number	Description
	200 Amp	400 Amp		
2	1	1	918D625P1	Frame, right-side
2A	1	1	15708183P1	Frame, left-side
3	1	1	129B9715P1	Magnet frame for operating coil (DA, DB or DE)
3	1	1	171B3255P1	Magnet frame for operating coil (DD)
5	1	1	218A5593G1	Coil holder
6	1	1	188A5536P1	Clamp for magnet frame, bottom
7	1	1	188A5536P2	Clamp for magnet frame, top
	1	1	199A7822P1	Plate for lower clamp
	3	3	N22P25032B6	Bolt fastening clamp to magnet frame (3/8-16, 2 in., hex hd, pro fin)
	3	3	218A6880P1	Washer for bolt
	1	1	139B7623G4	Armature assembly, complete with armature, bracket, and fulcrum, (DA, DB or DE)
	1	1	139B7623G8	Armature assembly, complete with armature, bracket, and fulcrum (DE)
9	1	1	129B9715P2	Armature (DA, DB or DE)
9	1	1	171B3255P2	Armature (DD)
10	1	1	139B8161G1	Armature bracket
11	1	1	284B964P2	Fulcrum
12	2	2	N22P25014B6	Bolt fastening fulcrum to bracket
13	2	2	PFC 41439	Bolt fastening armature bracket to shaft
	2	2	PFC 43685	Lock washer for Ref. 13
14	1	1	139B8162G1	Armature stop
15	1	1	188A5553P1	Stop screw for armature stop
16	2	2	577A177P2	Mounting bolt for stop assembly
17	2	2	188A5542P1	Terminal for operating coil
18	2	2	N144P16010B6	Screw with lock washer for terminal (10-32, 5/8 in., pan hd, pro fin)
	2	2	8617022P1	Terminal clamp
	2	2	N144P16008B6	Screw with lock washer for mounting terminal clamp
19	2	2	188A5527G1	Stub shaft assembly
21	4	4	577A176P2	Mounting bolt for stub shaft assembly
22	2	2	286A113P27	Bolt for end of stub shaft
23	2	2	188A5537G1	Bearing plate assembly for moving contact shaft
	2	2	181A4108P2	Collar for end of moving contact shaft
	4	4	245A6128P1	Set screw for collar
24	1	-	187B5651G1	Shaft assembly, complete with shaft, moving contacts, support, shunt, spring, and adjusting screw (DA2 or DB2)
24	1	-	187B5651G2	Shaft assembly, complete with shaft, moving contacts, support, shunt, spring, and adjusting screw (DD5)
24	-	1	139B7622G1	Shaft assembly, complete with shaft, moving contacts, support, shunt, spring, and adjusting screw (DA4 or DB4)
24	-	1	139B7622G7	Shaft assembly, complete with shaft, moving contacts, support, shunt, spring, and adjusting screw (DD6 or DE6)
	1	1	685D924G1	Main shaft
25	3	3	188A5539P1	Pin for moving contact support
26	6	6	N22P21012B6	Bolt fastening moving contact support to shaft
27	3	3	2416875P1	Compression spring for moving contact (DA or DB)
27	3	3	174A4412	Compression spring for moving contact (DD or DE)
28	3	3	167A8898G1	Moving contact assembly
29	3	3	139B8165G1	Support for moving contact
30	3	3	188A5551P1	Adjusting screw for contact support
31	3	-	188A5535G2	Shunt for moving contact
31	-	3	188A5535G1	Shunt for moving contact
32	3	3	577A177P4	Bolt fastening moving contact and shunt to support
33	3	3	N22P23016B6	Screw for contact support to position shunt (5/16-18, 1 in., hex hd, pro fin)
34	3	3	167A8898G1	Stationary contact
35	3	3	139B8171G1	Clip for arcing horn
36	3	-	286A113P44	Bolt for clip
36	-	3	577A177P2	Bolt for clip
37	1	1	685D952P1	Base
	3	3	N22P23022B6	Bolt fastening blowout coil to base
	3	3	577A328P2	Tee nut for bolt
39	3	-	233A2386G1	Blowout coil
39	-	3	167A8581G1	Blowout coil
	3	3	139B8170G1	Core for blowout coil
40	3	3	194A1454P2	Insulation tube for core
	2	-	233A2387P1	Back-up strip for blowout coil
42	6	6	PFC 40265	Insulation washer for pole pieces
43	3	-	171B3144G1	Pole piece, left-hand
43	-	3	139B8168G1	Pole piece, left-hand
44	3	-	171B3144G2	Pole piece, right-hand
44	-	3	139B8168G2	Pole piece, right-hand
45	6	6	N647P23013C6	Bolt fastening pole pieces to core (5/16-18, 3/4 in., button hex hd)
	6	6	205A7742P105	Washer for Ref. 45

IC302D HIGH VOLTAGE CONTACTORS



ARC CHUTE AND FUSE BASE ASSEMBLY (CONT'D)

Ref. No.	No. Req'd for IC Designation							Catalog Number	Description
	AA	AB	BA	BB	DA	EA	ED		
88	12	12	12	12	12	12	12	125A4278P3	Contact fingers
89	3	3	3	3	3	3	3	174A4422	Spring
90	12	12	12	12	12	12	12	125A4279P1	Spacer
91	3	3	3	3	3	3	3	125A4280P1	Retainer
92	3	3	3	3	3	3	3	125A4281P1	Retainer
93	6	6	6	6	6	6	6	125A4282P1	Retainer
94	3	3	3	3	3	3	3	N22P21048B6	Screw for contact finger assembly
95	6	6	6	6	6	6	6	284A403P7	Mica washer for screw
96	3	3	3	3	3	3	3	577A251P2	Lock nut for screw
97	6	6	6	6	6	6	6	233A2934P2	Spacer
98	6	6	6	6	6	6	6	N22P21010B6	Bolt
99	6	6	6	6	6	6	6	139B8172P6	Spacer
100	6	6	6	6	6	6	6	139B8172P12	Connection strap
101	3	3	3	3	-	-	3	259A5536G1	Bracket assembly
	-	-	-	-	3	3	-	259A5536G2	Bracket assembly
102	3	3	3	3	3	3	-	245A8108G2	Spacer
103	3	3	3	3	-	-	-	245A8111P3	Strap
104	12	12	12	12	12	12	-	577A176P2	Bolt
105	-	-	-	-	3	3	-	193A7125P5	Strap
106	3	3	3	3	3	3	3	273A2755P1	Fuse bracket (if used)
108	3	1	3	1	1	1	1	149B1754G8	Intermediate stab assembly
108	-	2	-	2	2	2	2	149B1754G7	Intermediate stab assembly
	3	3	3	3	3	3	3	188A5686P2	Stab assembly
	1	1	1	1	1	1	1	195B6267G1	Wheel assembly
109	4	4	4	4	4	4	4	149B1762P1	Wheel
110	4	4	4	4	4	4	4	259A5525P1	Wheel support
	1	1	1	1	1	1	1	259A5546G1	Spacer assembly
111	1	1	1	1	1	1	1	259A5545P2	Fastener assembly
112	4	4	4	4	4	4	4	162A2894P1	Wheel bolt
113	1	1	1	1	1	1	1	151A4894P1	Gasket
	2	2	2	2	2	2	2	162A4950P32	Spacer
114	1	1	1	1	1	1	1	188A5532G3	Handle
115	2	2	2	2	2	2	2	188A5688G2	Thumb screw