

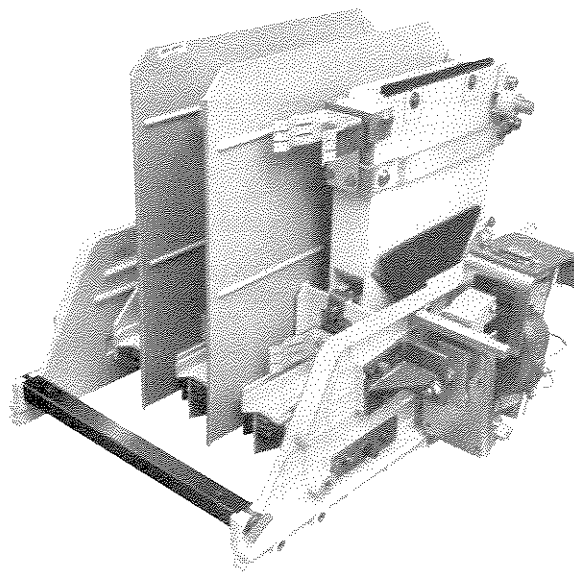
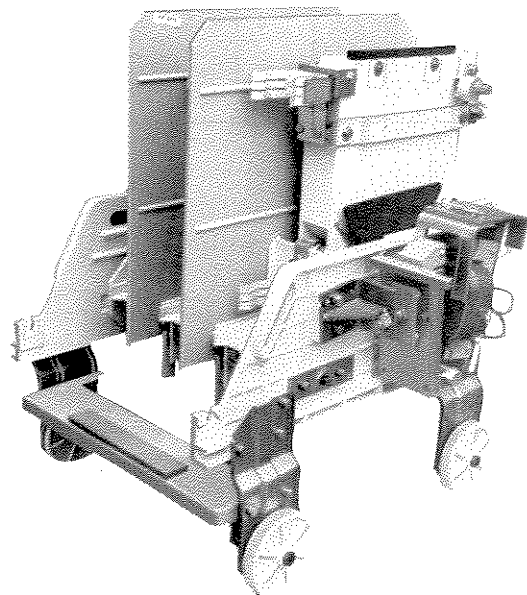
# RENEWAL PARTS

## IC302E HIGH VOLTAGE CONTACTORS

EA7 ----700A-2300V

EB7 ----700A-4800V

EC7 ----700A-5000V



### PARTS RECOMMENDED FOR NORMAL STOCK (all forms)

Ref. No.	Catalog Number	No. Req'd	Description
1	-----	1	Operating coils (see table on page 2)
27	245A1258P1	3	Compression spring for moving contact
28	245A1229G1	3	Moving contact assembly
31	194B8326G1	3	Shunt for moving contact
34	245A1229G1	3	Main stationary contact
62	177B3253P3	36	Arc barrier plate
62	177B3253P4	36	Arc barrier plate
88	125A4278P1	12	Contact finger for stab-on
89	174A4422P1	3	Spring for stab-on

When ordering renewal parts, give quantity, catalog number, description of each item required, and complete nameplate reading.

# GENERAL ELECTRIC

**IC302E HIGH VOLTAGE CONTACTORS**

REF. NO. 1 - OPERATING COILS - 1 Required

NOTE: The operating coil (also pick-up resistor, holding resistor and rectifier when required) are identified by the number following the form letter in the IC designation.

EXAMPLE: IC302EA7AA1A412AA3A requires operating coil No. 413, Cat. No. 1D300G144, holding resistor A100G125EA-TH, and rectifier Cat. No. IC3500A403C6.

Coil No.	Catalog Number	Δ Pick-up Resistor (1 Required) Catalog Number	Δ Holding Resistor Catalog Number	No. Req'd	Δ Rectifier (1 Required) Catalog Number
412	1D300G152	-----	A100G25EA-TH	2	IC3500A403C2
413	1D300G144	-----	A100G10EA-TH	1	IC3500A403C6
415	1D300G139	-----	A100G125EA-TH	2	IC3500A403C6
			A100G250EA-TH	3	IC3500A403C5
			A100G200EA-TH	1	IC3500A403C5
512	1D300G148	A100G1EA-TH	A100G25EA-TH	2	-----
			A100G10EA-TH	1	-----
513	1D300G149	A100G5EA-TH	A100G125EA-TH	2	-----
			A100G25EA-TH	1	-----

Δ Must be ordered separately.

LATCH ASSEMBLY ONLY - 1 Required

NOTE: The latch assembly is identified by the form letter following the coil number in the IC designation.

EXAMPLE: IC302EA7AA1A412AB3A requires Form Letter AB, Cat. No. 136C1754G9.

Form Letter	Catalog Number	Form Letter	Catalog Number	Form Letter	Catalog Number	Form Letter	Catalog Number
AB*	136C1754G9	AD*	136C1754G8	AF	136C1754G7	AH	136C1754G9
AC*	136C1754G7	AE	136C1754G5	AG	136C1754G8		

\* Wire harness (Cat. No. 7128R73) must be ordered separately, if used.

LATCH AND TRIP BAR ASSEMBLIES - 1 Required

NOTE: The latch and trip bar assemblies are identified by the form letter following the coil number in the IC designation.

EXAMPLE: IC302EA7A1A412BB3A requires Form Letter BB, Latch Assy Cat. No. 136C1754G9 and Trip Bar Assy Cat. No. 685D963G1.

Form Letter	Latch Assy. Cat. No.	Trip Bar Assy. Cat. No.	Form Letter	Latch Assy. Cat. No.	Trip Bar Assy. Cat. No.
BA	-----	685D963G1	BF†	136C1754G7	685D963G3
BBδ	136C1754G9	685D963G2	BG†	136C1754G8	685D963G3
BCδ	136C1754G7	685D963G2	BH†	136C1754G9	695D963G3
BDδ	136C1754G8	685D963G2			

δ With wire harness.

† Without wire harness.

TRIP SOLENOID FOR LATCH ASSY (1 Required)

NOTE: The solenoid is identified by the number following the latch assembly form letter in the IC designation.

EXAMPLE: IC302EAA4A47AB3A requires Solenoid No. 3, Cat. No. CR9500A201CM12A.

Solenoid Form No.	Solenoid Catalog Number	Solenoid Coil Catalog Number	Rectifier Catalog Number	Solenoid Form No.	Solenoid Catalog Number	Solenoid Coil Catalog Number	Rectifier Catalog Number
3	CR9500A201CM2A	15D2G42	-----	53	CR9500A201CM8A	15D2G63	-----
4	CR9500A201CM7A	15D2G55	-----	54	CR9500A201CM2A	15D2G2	-----
5	CR9500A201CM22A	15D2G70	-----	55	CR9500A201CM6A	15D2G6	-----
6	CR9500A201CM3A	15D2G80	-----	75	CR9500A201CM8A	15D2G69	IC3500A403C2
				76	CR9500A201CM3A	15D2G380	IC3500A403C6

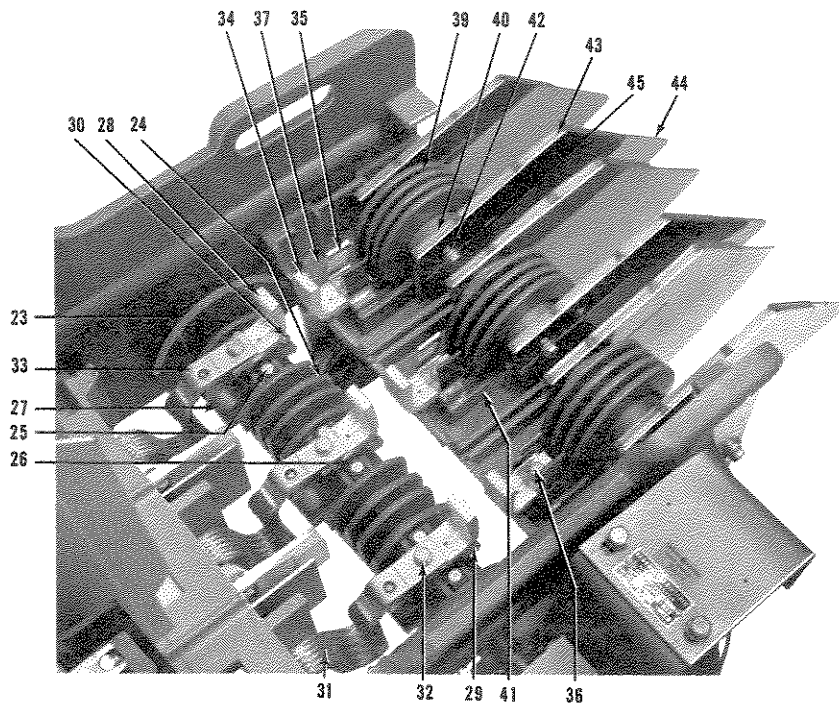
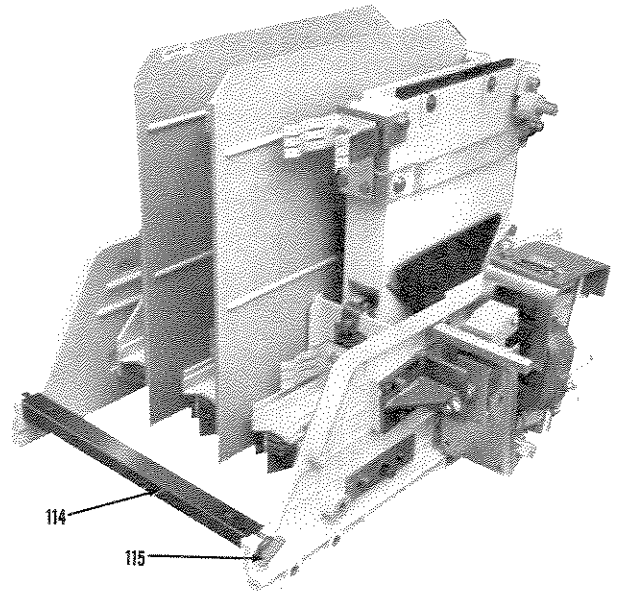
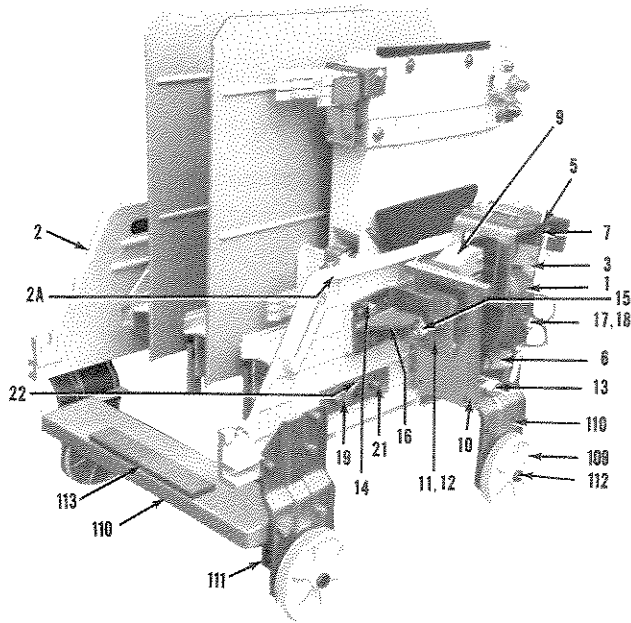
# IC302E HIGH VOLTAGE CONTACTORS

GEF-4576

Ref. No.	Catalog Number	No. Req'd	Description
2	918D625P1	1	Frame, right-side
2A	157C8183P1	1	Frame, left-side
3	129B9715P1	1	Magnet frame for operating coil
5	218A5593G1	1	Coil holder
6	188A5536P1	1	Clamp for magnet frame, bottom
7	188A5536P2	1	Clamp for magnet frame, top
	194A7822P1	1	Plate for lower clamp
	N22P25032B6	3	Bolt fastening clamp to magnet frame (3/8-16, 2 in., hex hd, pro fin)
	218A6880P1	3	Washer for bolt
	139B7623G4	1	Armature assembly (with or without counter weight)
	139B7623G8	1	Armature assembly (special dc magnet (time delay drop out by residual magnetism)
9	129B8715P2	1	Armature for 139B7623G4
9	171B3255P1	1	Armature for 139B7623G8
10	139B8161G1	1	Armature bracket
11	284A964P2	1	Fulcrum
12	N22P25014B6	2	Bolt fastening fulcrum to bracket (3/8-16, 7/8 in., hex hd, pro fin)
13	PFC 41439	2	Bolt fastening armature bracket to shaft
	PFC 43685	2	Lock washer for Ref. 13
14	139B8162G3	1	Armature stop
15	188A5553P1	1	Stop screw for armature stop
16	577A177P2	4	Mounting bolt for stop assembly
17	188A5542P1	2	Terminal for operating coil
18	N144P16010B6	2	Screw with lock washer for terminal (10-32, 5/8 in., pan hd, pro fin)
	8617022P1	2	Terminal clamp
	N144P16008B6	2	Screw with lock washer for mounting terminal clamp (10-32, 1/2 in., pan hd, pro fin)
19	188A5527G1	2	Stub shaft assembly
21	577A177P2	4	Mounting bolt for stub shaft assembly
22	286A113P27	2	Bolt for end of stub shaft
23	188A5537G1	2	Bearing plate assembly for moving contact shaft
	181A4108P2	2	Collar for end of moving contact shaft
	245A6128P1	4	Set screw for collar
24	187B8905G1	1	Shaft assembly, complete
	685D924G1	1	Main shaft
25	188A5539P1	3	Pin for moving contact support
26	N22P21012B6	6	Bolt fastening moving contact support to shaft (1/4-20, 3/4 in., hex hd, pro fin)
27	245A1258P1	3	Compression spring for moving contact
28	245A1229G1	3	Moving contact assembly
29	139B8165G1	3	Support for moving contact
30	188A5551P1	3	Adjusting screw for contact support
31	194B8326G1	3	Shunt for moving contact
32	N22P23016B6	3	Bolt fastening moving contact and shunt to support (5/16-18, 1 in., hex hd, pro fin)
33	N22P23016B6	6	Screw for contact support to position shunt (5/16-18, 1 in., hex hd, pro fin)
34	245A1229G1	3	Stationary contact
37	6851952P1	1	Base
	N22P23022B6	3	Bolt fastening blowout coil to base (5/16-18, 1 3/8 in., hex hd, pro fin)
	577A328P2	3	Tee nut for bolt
39	219A1668G3	3	Blowout coil
	187B9400G1	3	Auxiliary blowout coil
	139B8170G1	3	Core for blowout coil
40	194A1454P2	3	Insulation tube for core
42	PFC 40265	6	Insulation washer for pole pieces
43	139B8168G1	3	Pole piece, left-hand
44	139B8168G2	3	Pole piece, right-hand
45	N647B23012C6	6	Bolt fastening pole pieces to core (5/61-18, 3/4 in., button hex hd, pro fin)
	205A7742P105	6	Washer for Ref. 45

# IC302E HIGH VOLTAGE CONTACTORS

GEF-4576



# IC302E HIGH VOLTAGE CONTACTORS

GEF-4576

NOTE: The arc chute and fuse base assembly is determined by the ninth and tenth digits in the IC designation.

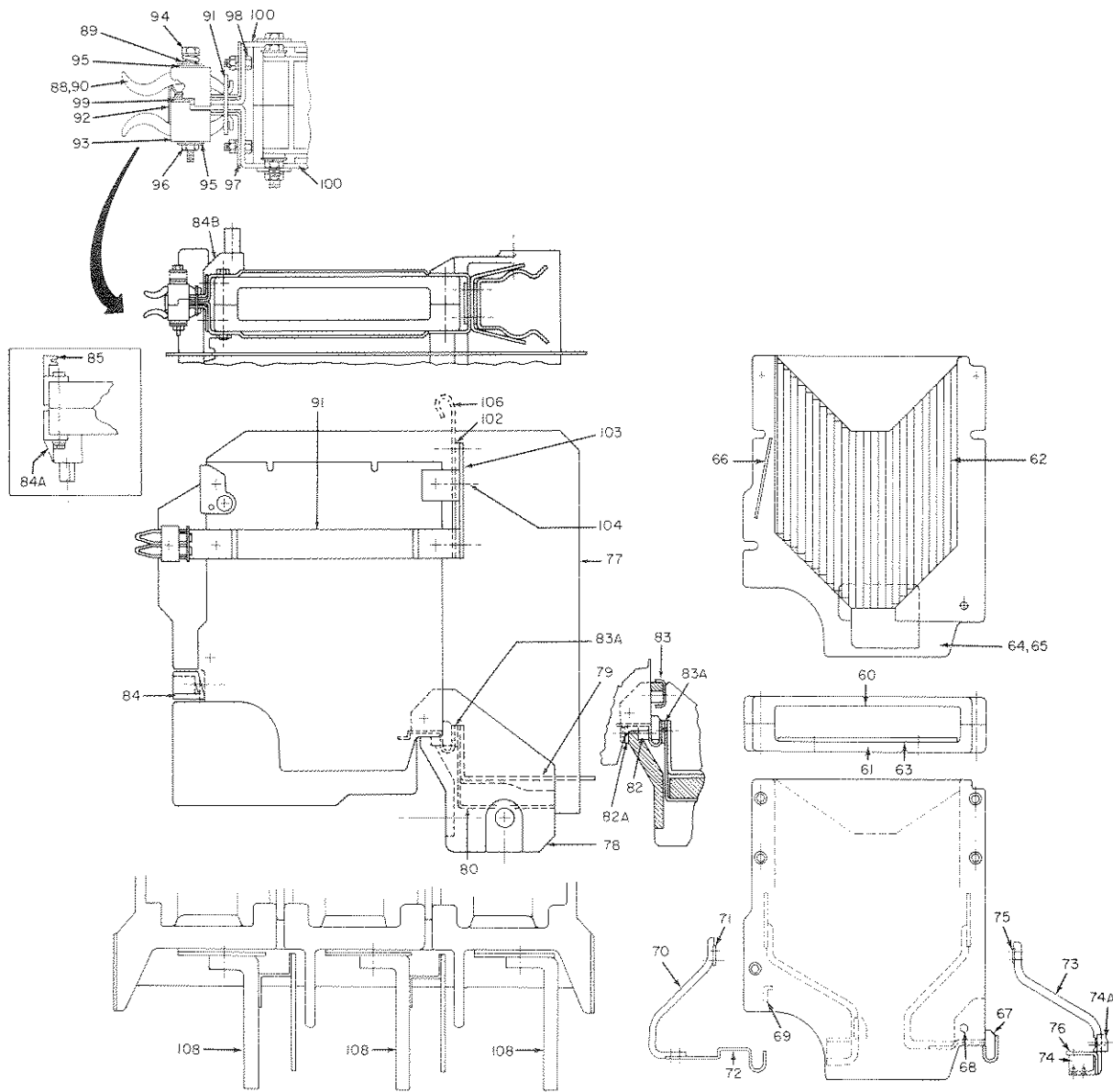
EXAMPLE: IC302E7AA1A412AB3A requires arc chute and fuse base assembly designation AB. Listed below are the different designations and voltage ratings.

## ARC CHUTE AND FUSE BASE ASSEMBLY

- AA - 2300 VOLT, FUSE, STABS, POWER INTERMEDIATE STABS
- AB - 4800 VOLT, FUSE, STABS, POWER INTERMEDIATE STABS
- AC - 5000 VOLT, NO FUSE, NO STABS, POWER INTERMEDIATE STABS
- AD - 5000 VOLT, SHORTING BAR, STABS, POWER INTERMEDIATE STABS
- AE - 2300 VOLT, FUSE, STABS, CONTROL INTERMEDIATE STABS
- AF - 4800 VOLT, FUSE, STABS, CONTROL INTERMEDIATE STABS
- AG - 5000 VOLT, SHORTING BAR, CONTROL INTERMEDIATE STABS

Ref. No.	No. Req'd for IC Designation							Catalog Number	Description
	AA	AB	AC	AD	AE	AF	AG		
60	3	3	3	3	3	3	3	177B8794G2	Arc chute assembly
61	3	3	3	3	3	3	3	501D196P1	Arc chute side, left
62	3	3	3	3	3	3	3	501D196P2	Arc chute side, right
62	36	36	36	36	36	36	36	177B3253P3	Arc barrier plate
62	36	36	36	36	36	36	36	177B3253P4	Arc barrier plate
63	3	3	3	3	3	3	3	149B1784G2	Barrier holder
64	3	3	3	3	3	3	3	177B3273P1	Chute insert, left
65	3	3	3	3	3	3	3	177B3273P2	Chute insert, right
66	3	3	3	3	3	3	3	245A1235P1	Deflector
67	3	3	3	3	3	3	3	151A7164P10	Mica tubing
67	3	3	3	3	3	3	3	139B8999G1	Chute block assembly
68	6	6	6	6	6	6	6	577A177P5	Mounting bolt or chute block
69	3	3	3	3	3	3	3	188A5554G1	Nut plate
	-	-	-	-	-	-	-	245A4320P1	Shims (as required) (for tight bundle of barriers)
	-	-	-	-	-	-	-	245A4320P2	Shims (as required) (for tight bundle of barriers)
70	3	3	3	3	3	3	3	194B8338G3	Arcing horn assembly, front
71	3	3	3	3	3	3	3	194B8340P4	Main arcing horn
72	3	3	3	3	3	3	3	259A8786P1	Spacer
	6	6	6	6	6	6	6	259A5550P1	Hooked shaped end plate
								N57P16008C6	Screw fastening spacer or end plate to horn (10-32, 1/2 in., pan hd, pro fin)
73	3	3	3	3	3	3	3	194B8338G4	Arcing horn assembly, rear
74	3	3	3	3	3	3	3	194B8340P5	Main arcing horn
	3	3	3	3	3	3	3	259A5543P3	Block
	3	3	3	3	3	3	3	259A5543P4	Block
75	3	3	3	3	3	3	3	194B8337P1	Spacer
76	3	3	3	3	3	3	3	259A8786P1	Spacer
77	2	2	-	-	2	2	-	187B9448P1	Barrier between arc chutes
77	-	-	2	2	-	-	2	139B7619P1	Barrier between arc chutes
78	1	1	1	1	1	1	1	158C1805G1	Fuse base and shunt plate assembly
80	-	-	-	-	3	3	3	259A5291G1	Ground strap
81	-	-	-	-	2	2	2	N22P23024B6	Mounting screw for ground strap (5/16-18, 1 1/2 in., hex, pro fin)
82	3	3	3	3	3	3	3	139B8179P3	Nut block
82A	3	3	3	3	3	3	3	188A5292P1	Support for nut block
83	3	3	3	3	3	3	3	194A7125P1	Saddle
83A	3	3	3	3	3	3	3	205A9613P6	Bus spacer
83B	-	-	-	3	-	-	3	205A9613P3	Shorting bar
	3	3	3	3	3	3	3	577A177P5	Mounting screw for saddle, bus spacer, and shorting bar
84	1	1	1	1	1	1	1	116C9907P1	Chute tie bar
84A	1	1	-	1	1	1	1	194A6900G2	Shaft assembly for left-hand arc chute assembly
84B	1	1	-	1	1	1	1	194A6900G1	Shaft assembly for right-hand arc chute assembly
85	1	1	-	1	1	1	1	116C9908P2	Operating shaft, left-half, for shaft assembly
	1	1	-	1	1	1	1	116C9908P1	Operating shaft, right-half, for shaft assembly
	3	3	-	-	3	3	-	202B3965G1	Stab assembly
	-	-	-	3	-	-	3	202B3965G2	Stab assembly
88	12	12	-	12	12	12	12	125A4278P1	Contact fingers
89	3	3	-	3	3	3	3	174A4422P1	Spring
90	12	12	-	12	12	12	12	125A4279P1	Spacer for stab-on finger
91	3	3	-	3	3	3	3	125A4280P1	Retainer
92	3	3	-	3	3	3	3	125A4281P1	Retainer
93	6	6	-	6	6	6	6	125A4282P1	Retainer
94	3	3	-	3	3	3	3	N22P21048B6	Screw for contact finger assembly
95	6	6	-	6	6	6	6	284A403P7	Mica washer for screw
96	3	3	-	3	3	3	3	577A251P2	Lock nut for screw
100	3	3	-	3	3	3	3	219A1695G1	Connection strap
101	3	3	-	3	3	3	3	259A5536G1	Bracket assembly
102	3	3	-	-	3	3	-	245A8108G2	Spacer
103	3	3	-	-	3	3	-	245A8111P2	Strap
104	12	12	-	-	12	12	-	577A176P2	Bolt

IC302E HIGH VOLTAGE CONTACTORS



ARC CHUTE AND FUSE BASE ASSEMBLY (CONT'D)

Ref. No.	No. Req'd for IC Designation							Catalog Number	Description
	AA	AB	AC	AD	AE	AF	AG		
106	3	3	3	3	3	3	3	273A2755P1	Fuse bracket (if used)
108	1	1	1	1	-	-	-	177B3271G4	Intermediate stab assembly
	2	2	2	2	-	-	-	177B3271G9	Intermediate stab assembly
	-	-	-	-	3	3	3	188A5686P2	Intermediate stab assembly
	1	-	-	-	-	-	-	195B6267G2	Wheel assembly
109	4	-	-	-	-	-	-	119B1762P1	Wheel
110	3	-	-	-	-	-	-	259A5525P1	Wheel support
	1	-	-	-	-	-	-	273A2788P1	Wheel support (left rear only)
	1	-	-	-	-	-	-	259A5516G1	Spacer assembly
111	1	-	-	-	-	-	-	259A5545P2	Fastener assembly
112	4	-	-	-	-	-	-	162A2894P1	Wheel bolt
113	2	-	-	-	-	-	-	151A4894P1	Gasket
	2	-	-	-	-	-	-	162A4950P32	Spacer
114	-	1	-	-	-	-	-	188A5532G5	Handle
115	2	2	2	2	2	2	2	188A5688G2	Thumb screw

GENERAL ELECTRIC COMPANY, INDUSTRIAL CONTROL DEPARTMENT, SALEM, VA. 24153