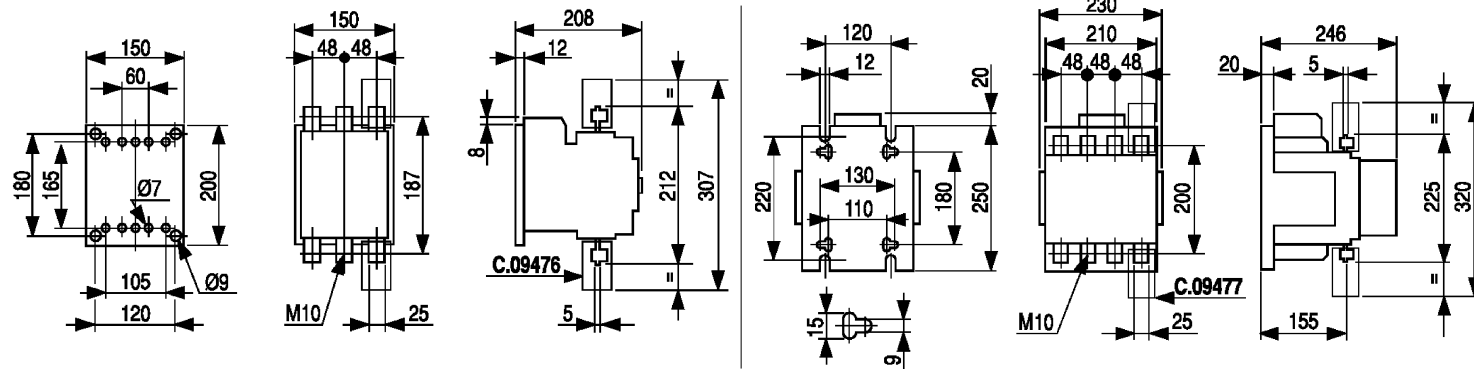




# CK08B, CK09B, CK95B Contactor

**WARNING:** Disconnect power from source before installing, modifying or servicing.



CK09BE3, CK95BE3

CK08B-4, CK09BE3, CK95BE4

IEC COUNTRIES

USA & CANADA (UL, CSA)

AC1	P (kW)			AC3	P (kW)			Cat.No.	AC/DC	Pole	A1 Coil	A2	Three-phase					Starter Max. Full-load Amps
	220V	380V	500V		220V	380V	500V						200-208	220-240	440-480	550-600	380/415	
123	214	281	55	90	110	CK08B	A E	4	11	50	60	125	125	90	156			
152	263	346	75	132	160	CK09B	E	3 4	11	65	75	150	150	132	192			
191	329	415	90	160	200	CK95B	E	3 4	11	100	100	250	250	160	302			

① Suitable for use on circuit capable of delivering not more than 10,000 RMS symmetrical amperes, 600 volts maximum when protect by H, J, K, RK5 class fuses, or a circuit breaker having an interrupting rating not less than 10,000 RMS symmetrical amperes, 600 volts maximum. Use only whitin overload relay manufactured by GE POWER CONTROLS, serie RT.

② Suitable for use on circuit capable of delivering not more than 18,000 RMS symmetrical amperes, 600 volts maximum when protected by class L fuses, or a cicuit breaker having an interrupting rating not less than 18,000 RMS symmetrical amperes, 600 volts maximum.

For use in enclosures with minimum dimensions 42 in. by 16 in. by 10 in.

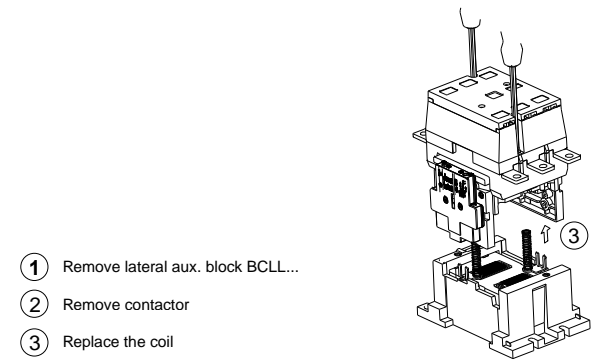
COIL

With electronic module. AC/DC (Types CK\_\_E\_\_)

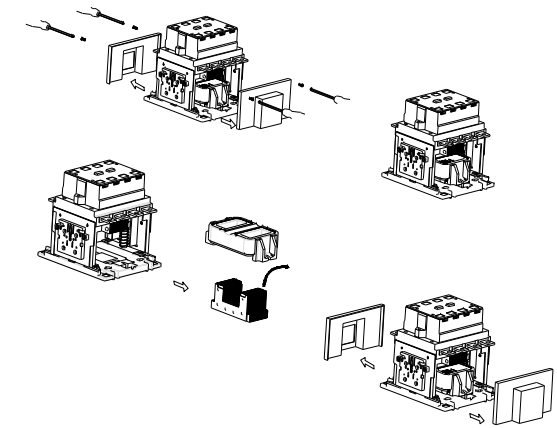
COD.	D(1)	F	J	N	U	Y
VOLTAGE	24V	42V	110V	220V	380V	440V
	28V	48V	127V	250V	415V	500V

W/o With electronic module. AC (Types CK\_\_A\_\_)

COD.	C	D	E	F	G	H	I	J	K	L	M	N	R	S	T	U	V	W	X	Y	Z
50 Hz		24V	32V	42V	48V			110V	127V			220V	240V			380V		415V	440V	500V	660V
60 Hz	24V			48V		110V	120V			208V	220V	277V		240V	380V	480V	440V			600V	



CK08B-4, CK09BE4, CK95BE4



Suitable For Use On A Circuit Capable Of Delivering Not More Than (a) RMS Symmetrical Amperes, (b) Volts Maximum, When Protected by (c) Class Fuses Rated (d) Amperes Maximum, or When Protected by (e) Type (f) Circuit Breakers, Rated (g) Amperes Maximum. For Use In Enclosures With Minimum Overall Dimensions of (h).\*

Catalog Number	Max FLA	Overload Relay Model	Short Circuit Rating		Maximum Fuse Size		Maximum Breaker Size			Minimum Enclosure Volume (cu in)
			RMS Sym Amperes (a)	Volts Max (b)	Class (c)	Max Size (d)	Make (e)	Model (f)	Max Size (g)	
* CK08B 156	---	---	100,000	600	J	450A	---	---	---	11,960
* CK85B 192	---	---	100,000	600	J	450A	---	---	---	11,960
* CK08B 156	---	---	65,000	480	---	---	GE	SGL	600A	11,960
* CK08B 156	---	---	35,000	480	---	---	GE	SGH	600A	11,960
* CK85B 192	---	---	65,000	480	---	---	GE	SGL	600A	11,960
* CK85B 192	---	---	35,000	480	---	---	GE	SGH	600A	11,960
* CK08B 156 RT4,RT4L	---	---	65,000	480	---	---	GE	SGL	600A	11,960
* CK08B 156 RT4,RT4L	---	---	35,000	480	---	---	GE	SGH	600A	11,960
* CK85B 192 RT4,RT4L	---	---	65,000	480	---	---	GE	SGL	600A	11,960
* CK85B 192 RT4,RT4L	---	---	35,000	480	---	---	GE	SGH	600A	11,960
* CK09B 192	---	---	100,000	600	J	450A	---	---	---	11,960
* CK95B 302	---	---	100,000	600	J	450A	---	---	---	11,960
* CK09B 192	---	---	65,000	480	---	---	GE	SGL	600A	11,960
* CK09B 192	---	---	35,000	480	---	---	GE	SGH	600A	11,960
* CK95B 302	---	---	65,000	480	---	---	GE	SGL	600A	11,960
* CK95B 302	---	---	35,000	480	---	---	GE	SGH	600A	11,960
* CK09B 192 RT4,RT4L	---	---	65,000	480	---	---	GE	SGL	600A	11,960
* CK09B 192 RT4,RT4L	---	---	35,000	480	---	---	GE	SGH	600A	11,960
* CK95B 302 RT4,RT4L	---	---	65,000	480	---	---	GE	SGL	600A	11,960
* CK95B 302 RT4,RT4L	---	---	35,000	480	---	---	GE	SGH	600A	11,960

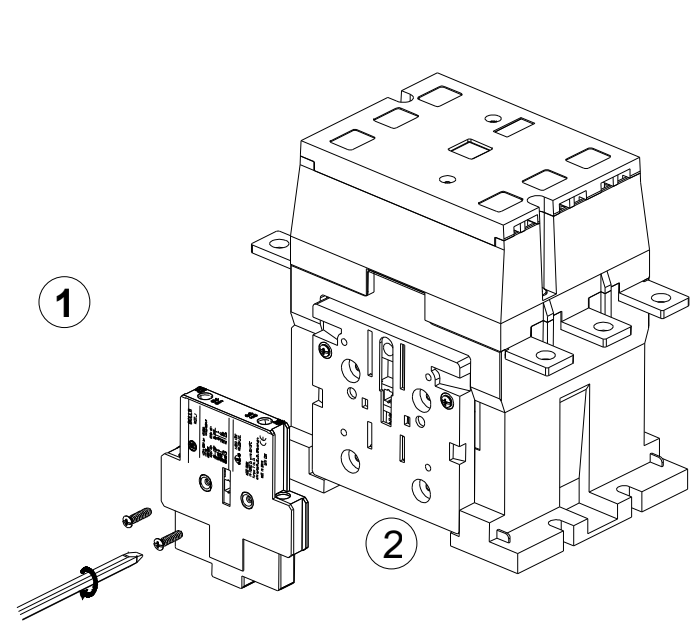
\* Pending completion of 18kA test in Planville

产品质量检验证书  
Product Quality Inspection Certificate  
该产品通过质量检测  
The product passed Quality Inspection

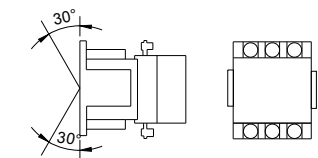
原产地: 波兰  
Country of Origin: Poland

制造商: GE Power Controls

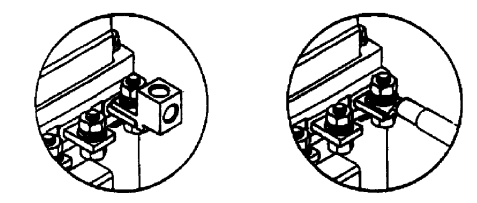
工厂地址: ul Lodowa 88 92-313 Lodz (Poland)



MOUNTING



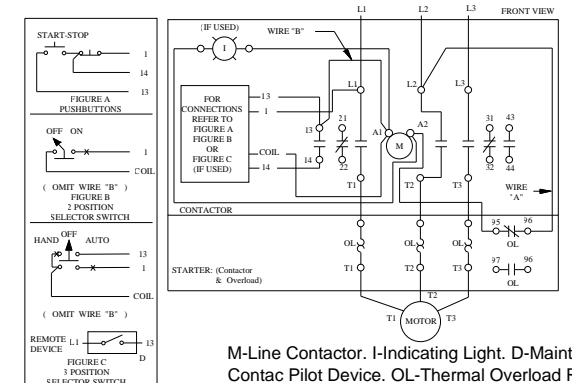
WIRING



USE LUG KITCKX02

USA & CANADA

WIRING DIAGRAM



M-Line Contactor. I-Indicating Light. D-Maintaining Contac Pilot Device. OL-Thermal Overload Relay. For Separate Control-On Contactors, omit wire "A" and connect source to coil and to 1 on control device.

NOTE: Additional over-current protection may be required. Refer to the National Electrical Code or local electrical code as required. Single phase applications: Single phase starters require all three overload heaters to be energized for proper operations. For single phase operations use separate conductor and connect overload load terminal T2 to contactor line terminal L3. Connect load to overload terminals T1 and T3. Connect incoming power to contactor line terminals L1 and L2.

These instructions do not purport cover all details or variations in equipment nor to provide for every possible contingency to be met in connection with installation operation maintenance. Should further information be desired or should particular problems arise which are not covered sufficiently for the purchaser's purposes, the matter should be referred to the GE Company.