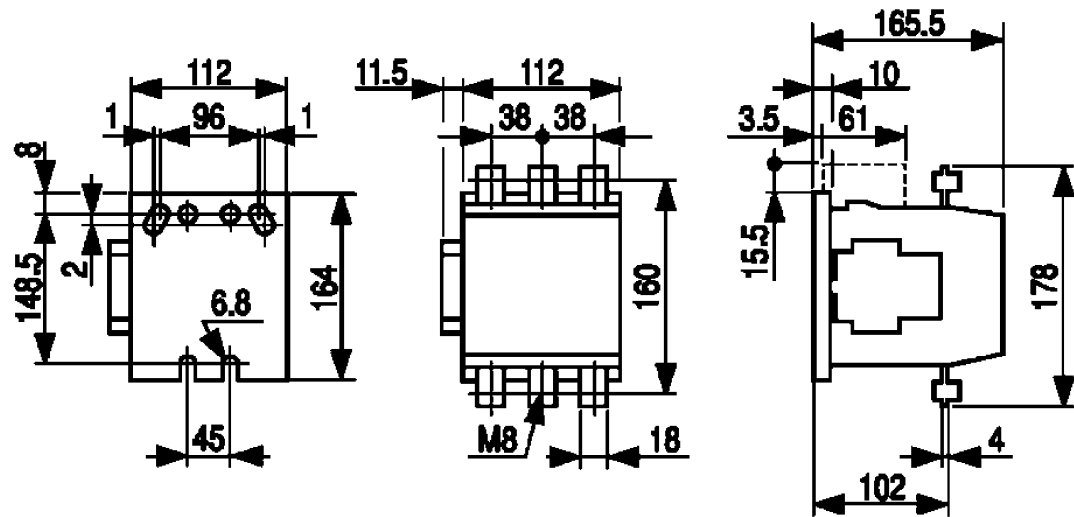




CK75C-CK08C Contactor

WARNING: Disconnect power from source before installing, modifying or servicing.



CK75C-3-CK08C-3

IEC COUNTRIES

AC1		AC3		Three-phase		Single-phase		Starter Max. Full-load Amps		
P (kW)		P (kW)		Horsepower		Horsepower				
220V	380V	220V	380V	Motor Voltage-60 Hertz		Motor Voltage-60 Hertz				
240V	415V	240V	415V	200-208	220-240	440-480	550-600	380/415		
500V	500V	500V	500V	115	115	115	115	230		
72	125	165	45	75	100	125	75	10	25	140
123	214	281	55	90	100	125	90	15	30	156

USA & CANADA (UL, CSA)

Suitable for use on circuit capable of delivering not more than 10,000 RMS symmetrical amperes, 600 volts maximum when protect by H, J, K, RK5 class fuses, or a circuit breaker having an interrupting rating not less than 10,000 RMS symmetrical amperes, 600 volts maximum.
Use only whitn overload relay manufactured by GE POWER CONTROLS, serie RT.
For use in enclosures whith minimum dimensions 42 in. by 16 in. by 10 in.

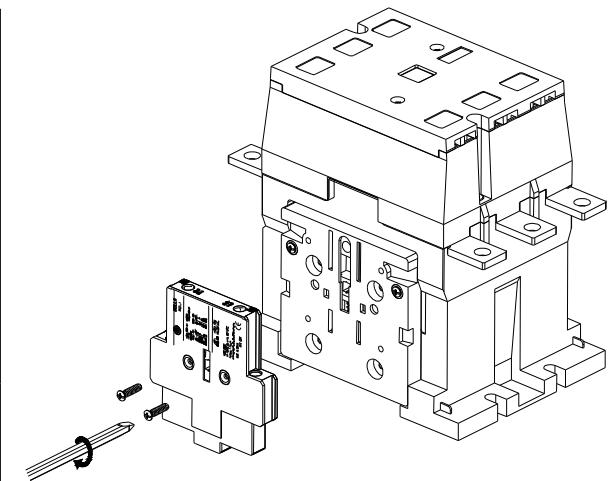
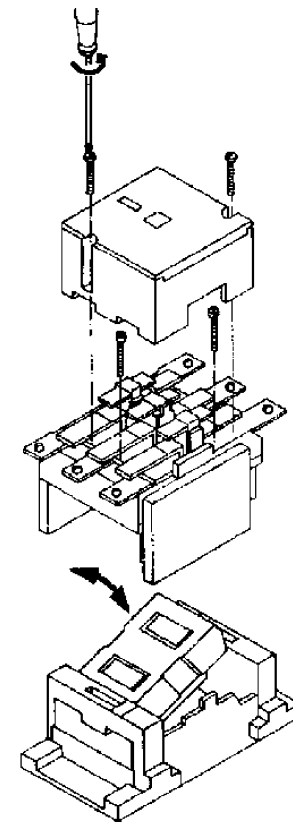
COIL

With electronic module. AC/DC (Types CK__E__)

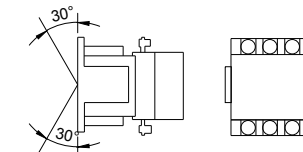
COD.	D	F	J	N	U	Y
VOLTAGE	24V	42V	110V	220V	380V	440V
	28V	48V	127V	250V	415V	500V

W/o With electronic module. AC(Types CK__A__)

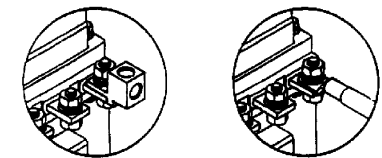
COD.	C	D	E	F	G	H	I	J	K	L	M	N	R	S	T	U	V	W	X	Y	Z
50 Hz		24V	32V	42V	48V			110V	127V			220V	240V			380V		415V	440V	500V	660V
60 Hz	24V			48V		110V	120V	120V		208V	220V	277V		240V	380V	480V	440V			600V	



MOUNTING



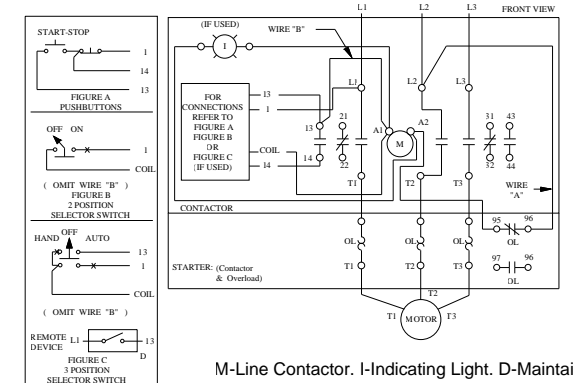
WIRING



USE LUG KIT CKX04

USA & CANADA

WIRING DIAGRAM



M-Line Contactor. I-Indicating Light. D-Maintaining Contac Pilot Device. OL-Thermal Overload Relay. For Separate Control-On Contactors, omit wire "A" and connect source to coil and to 1 on control device.

NOTE: Additional over-current protection may be required. Refer to the National Electrical Code or local electrical code as required.
Single phase applications: Single phase starters require all three overload heaters to be energized for proper operations. For single phase operations use separate conductor and connect overload load terminal T2 to contactor line terminal L3. Connect load to overload terminals T1 and T3. Connect incoming power to contactor line terminals L1 and L2.

Suitable For Use On A Circuit Capable Of Delivering Not More Than (a) RMS Symmetrical Amperes, (b) Volts Maximum, When Protected by (c) Class Fuses Rated (d) Amperes Maximum, or When Protected by (e) Type (f) Circuits Breakers, Rated (g) Amperes Maximum. For Use In Enclosures With Minimum Overall Dimensions of (h)."

Catalog Number	Max FLA	Overload Relay Model	Short Circuit Rating		Maximum Fuse Size		Maximum Breaker Size		Minimum Enclosure Volume (cu in)	
			RMS Sym Amperes (a)	Volts Max (b)	Class (c)	Max Size (d)	Make (e)	Model (f)		Max Size (g)
CK75C, K175	130	---	10,000	600	H,K,RK5,J or L	450A	---	---	250A	6.720
CK08C, K108	156	---	10,000	600	H,K,RK5,J or L	450A	---	---	250A	6.720
CK75C, K175	130	---	100,000	600	J	450A	---	---	---	3.528
CK08C, K108	156	---	100,000	600	J	450A	---	---	---	3.528
CK75C, K175	130	---	65,000	480	---	---	GE SFL	250A	---	3.528
CK75C, K175	130	---	25,000	480	---	---	GE SFH	250A	---	3.528
CK08C, K108	156	---	65,000	480	---	---	GE SFL	250A	---	3.528
CK08C, K108	156	---	25,000	480	---	---	GE SFH	250A	---	3.528
CK75C, K175	130	RT3P, RT32P	65,000	480	---	---	GE SFL	250A	---	3.528
CK75C, K175	130	RT3P, RT32P	25,000	480	---	---	GE SFH	250A	---	3.528
CK08C, K108	156	RT3P, RT32P	65,000	480	---	---	GE SFL	250A	---	3.528
CK08C, K108	156	RT3P, RT32P	25,000	480	---	---	GE SFH	250A	---	3.528

产品质量检验证书
Product Quality Inspection Certificate
该产品通过质量检测
The product passed Quality Inspection

原产地: 波兰
Country of Origin: Poland
制造商: GE Power Controls
工厂地址: ul Lodowa 88, 92-232 Lodz (Poland)

These instructions do not purport cover all details or variations in equipment nor to provide for every possible contingency to be met in connection with installation operation maintenance. Should further information be desired or should particular problems arise which are not covered sufficiently for the purchaser's purposes, the matter should be referred to the GE Company.