



GEH-5946

# POWER LEADER™ Voltage Conditioners

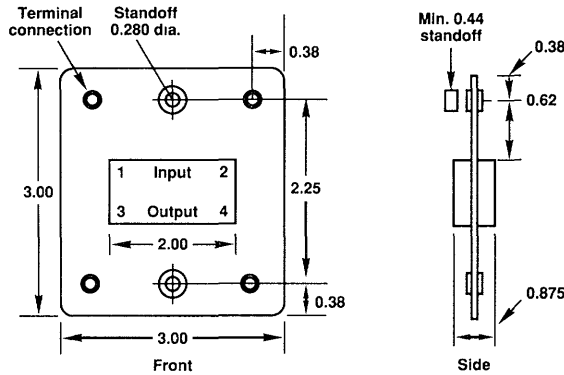
**Function:** Provides isolated bus voltage signal to each trip unit by stepping down the potential to 1.76Vac. Also provides transient suppression. Voltage conditioners are necessary to allow bus voltage sense by one or more trip units connected to the same bus voltage.

**Cat. No.:** PLVC1G01

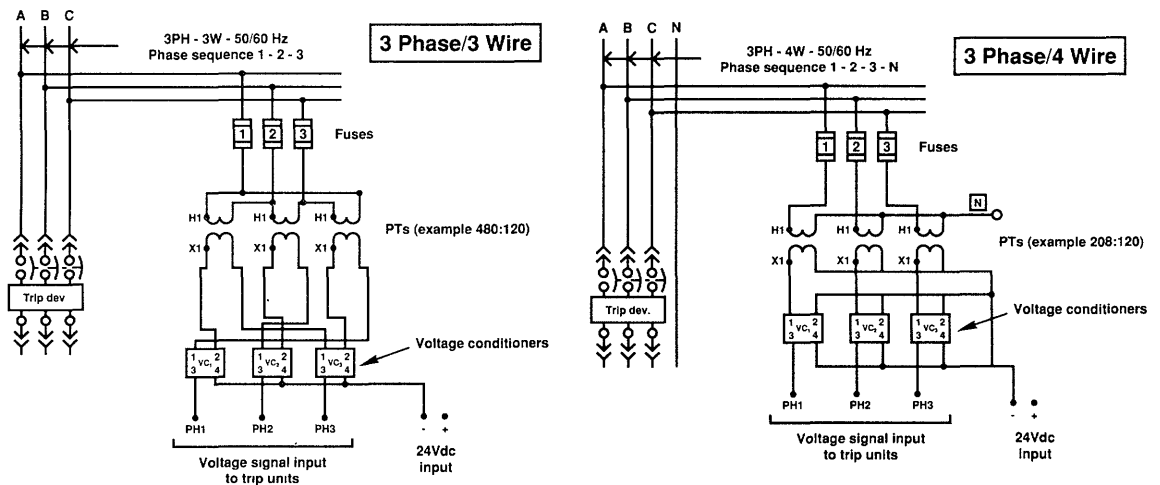
**Specifics:** Input: 120Vac, 50/60 Hz  
Output: 1.76Vac, 50/60 Hz

- Application:**
- One set of three voltage conditioners is required for each voltage sensing location.
  - High accuracy potential transformers are also required to drop the line voltage to 120V.
  - Voltage conditioner outputs may be shared across multiple trip units. The total number of trip devices connected per set of voltage conditioners must be 15 or less.
  - The maximum wire length from voltage conditioners to trip device is 20 feet. Use AWG 16 wire.
  - The four terminal connections are 0.219: I.D. eyelets.

**Dimensions:**



**Connections:**



**GE Electrical Distribution & Control**