



ASTAT XBm

USER MANUAL

1 Caution Statements

Caution Statements cannot cover every potential cause of equipment damage but can highlight common causes of damage. It is the installer's responsibility to read and understand all instructions in this manual prior to installing, operating or maintaining the equipment, to follow good electrical practice including applying appropriate personal protective equipment and to seek advice before operating this equipment in a manner other than as described in this manual.

- Isolate the ASTAT XBm completely from the power supply before attempting any work on the ASTAT XBm or motor.
- Cables to the control inputs must be segregated from mains voltage and motor cabling.
- Some electronic contactor coils are not suitable for direct switching with PCB mount relays. Consult the contactor manufacturer/supplier to confirm suitability.
- Do not apply incorrect voltages to the control input terminals.
- Do not connect power factor correction capacitors to the output of ASTAT XBm soft starters. If static power factor correction is employed, it must be connected to the supply side of the soft starter.

The examples and diagrams in this manual are included solely for illustrative purposes. The information contained in this manual is subject to change at any time and without prior notice. In no event will responsibility or liability be accepted for direct, indirect or consequential damages resulting from the use or application of this equipment.

**WARNING - ELECTRICAL SHOCK HAZARD**

The ASTAT XBm contains dangerous voltages when connected to mains voltage. Only a qualified electrician should carry out the electrical installation. Improper installation of the motor or the ASTAT XBm may cause equipment failure, serious injury or death. Follow this manual and local electrical safety codes.

**AVERTISSEMENT - DANGER D'ELECTROCUTION**

L'ASTAT XBm contient des tensions dangereuses lorsqu'il est raccordé à l'alimentation secteur. Seul un électricien compétent peut effectuer l'installation électrique. Une mauvaise installation du moteur ou de l'ASTAT XBm peut déclencher une panne d'équipement, provoquer de graves blessures ou même la mort. Suivre les instructions de ce manuel et des codes locaux concernant la sécurité électrique.

**GROUNDING AND BRANCH CIRCUIT PROTECTION**

It is the responsibility of the user or person installing the ASTAT XBm to provide proper grounding and branch circuit protection according to local electrical safety codes.

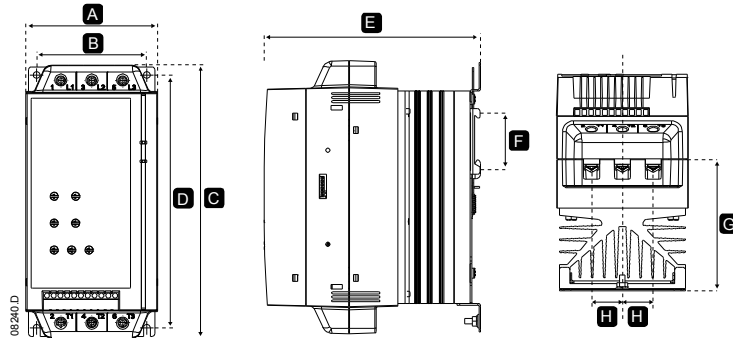
**SHORT CIRCUIT**

The ASTAT XBm is not short circuit proof. After severe overload or short circuit, the operation of the ASTAT XBm should be fully tested by an authorised service agent.



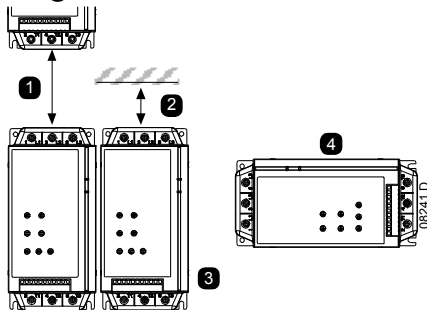
2 Mechanical Installation

2.1 Dimensions and Weights



Model	Width mm (inch)		Height mm (inch)		Depth mm (inch)				Weight kg (lb)
	A	B	C	D	E	F	G	H	
QCxxB018X QCxxB034X QCxxB042X QCxxB048X QCxxB060X	98 (3.85)	82 (3.22)	201 (7.91)	188 (7.40)	165 (6.49)	55 (2.16)	90.5 (3.6)	23 (0.9)	2.2 (4.85)
QCxxB075X QCxxB085X QCxxB100X	145 (5.70)	124 (4.88)	215 (8.46)	196 (7.71)	193 (7.59)	-	110.5 (4.4)	37 (1.5)	4.0 (8.81)
QCxxB140X QCxxB170X QCxxB200X	200 (7.87)	160 (6.29)	240 (9.44)	216 (8.50)	214 (8.42)	-	114.5 (4.5)	51 (2.0)	6.5 (14.33)

2.2 Physical Installation



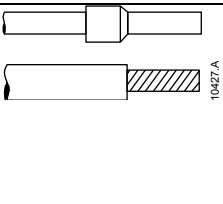
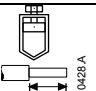
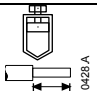
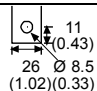
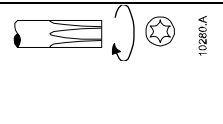
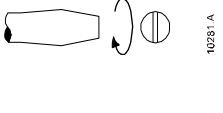
1	QCxx018 ~ QCxx100: Allow 100 mm (3.9 inch) between soft starters. QCxx140 ~ QCxx200: Allow 200 mm (7.9 inch) between soft starters.
2	QCxx018 ~ QCxx100: Allow 50 mm (2.0 inch) between the soft starter and solid surfaces. QCxx140 ~ QCxx200: Allow 200 mm (7.9 inch) between the soft starter and solid surfaces.
3	Soft starters may be mounted side by side with no clearance (that is, if mounted without communications modules).
4	The soft starter may be mounted on its side. Derate the soft starter's rated current by 15%.





3 Electrical Installation

3.1 Power Terminations

	L1/1, L2/3, L3/5, T1/2, T2/4, T3/6 mm ² (AWG)			A1, A2, A3, 01, 02, B4, B5, 13, 14, 23, 24 mm ² (AWG)		
	018 - 060		075 - 100		140 - 200	
	10 - 35 (8 - 2)	 14 mm (0.55 inch)	25 - 50 (4 - 1/10)	 14 mm (0.55 inch)	n/a	 0.14 - 1.5 (26 - 16) mm (inch)
	Torx (T20) 3 Nm 2.2 ft-lb		Torx (T20) 4 Nm 2.9 ft-lb		n/a	
	7 mm 3 Nm 2.2 ft-lb		7 mm 4 Nm 2.9 ft-lb		n/a	

3.2 Control Voltages

ASTAT X_{Bm} soft starters can be supplied in either of two control voltage configurations:

- QCx1xxxxxX 110-240 VAC (+ 10% / - 15%)
..... or 380-440 VAC (+ 10% / - 15%)
- QCx2xxxxxX 24 VAC/VDC (± 20%)



WARNING

Always apply control voltage before (or with) mains voltage.



AVERTISSEMENT

Toujours appliquer la tension de commande avant (ou en même temps que) la tension secteur.

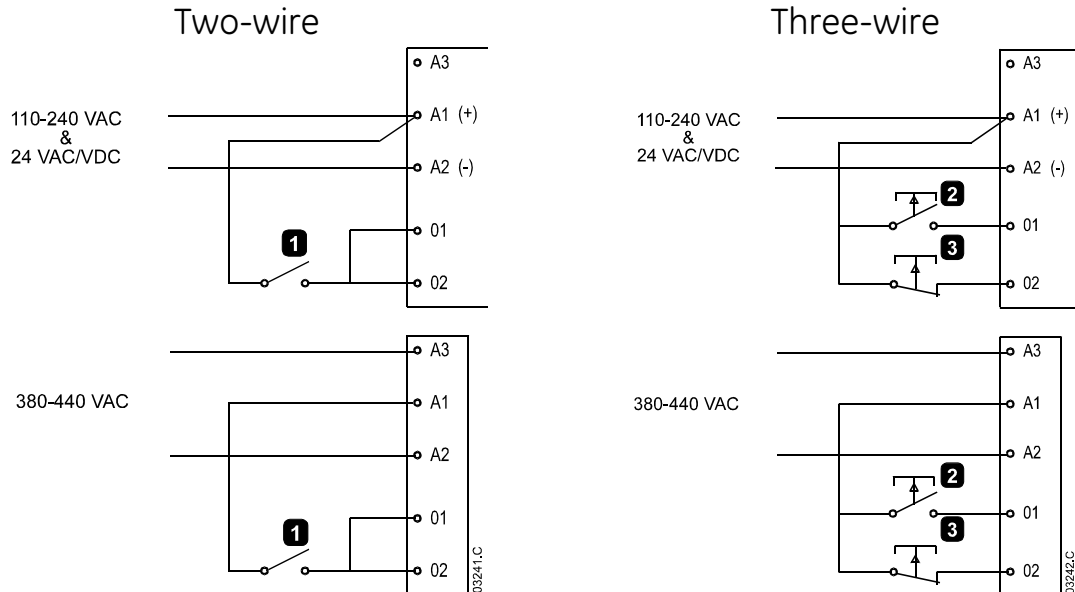


CAUTION

With 24 VAC/VDC use contacts rated for low voltage and low current (gold flash or similar).



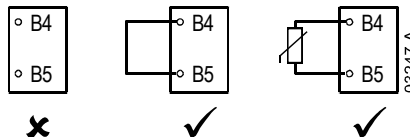
3.3 Control Circuits



1	Start/stop. To reset a trip, open then close 02.
2	Start.
3	Stop. To reset a trip, open then close 02.

3.3.1 Motor Thermistor

Motor thermistors can be connected directly to the ASTAT XBm terminals B4, B5. If motor thermistors are not used, there must be a link between B4, B5 (the ASTAT XBm is supplied with a link fitted).



WARNING

Isolate the ASTAT XBm completely from the power supply before attempting any work on the ASTAT XBm or motor. Control terminals may be at phase voltage potential.



AVERTISSEMENT

Isoler complètement l'ASTAT XBm de l'alimentation secteur avant de tenter toute intervention sur l'ASTAT XBm ou sur le moteur. Les bornes de commande peuvent être au potentiel de la tension de phase.



CAUTION

For QCx2xxxxxX (24VAC/VDC control voltage) units you can connect an external 24 VDC supply into the control input terminals 01, 02.



3.4 Outputs

3.4.1 Main Contactor Output

The Main Contactor output (terminals 13, 14) closes as soon as the soft starter receives a start command and remains closed while the soft starter is controlling the motor (until the motor starts a coast to stop, or until the end of a soft stop). The Main Contactor output will also open if the soft starter trips.

The Main Contactor output can be used to directly control a main contactor coil.

3.4.2 Programmable Output

The programmable output relay (terminals 23, 24) can be used to signal either trip or run status. This relay is normally open.

Trip:

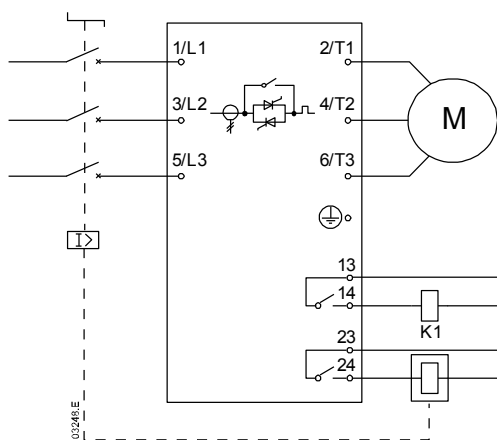
The relay closes when the ASTAT XBm trips. The relay can be used to operate the shunt-trip mechanism of an upstream circuit breaker (in order to isolate the motor branch circuit), or to signal the trip to an automation system or externally. The relay will open when the trip is reset.

Run:

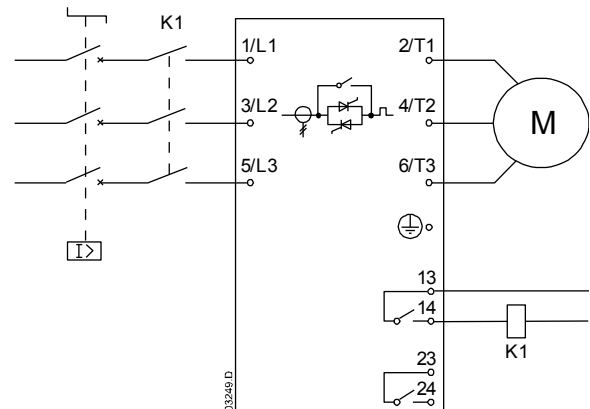
The relay operates when the soft start is complete, the bypass relays are closed and full voltage is being applied to the motor. The relay can be used to operate a contactor for power factor correction capacitors, or to signal soft starter run status to an automation system.

3.5 Electrical Schematics

Soft starter installed with a system protection circuit breaker complete with a shunt trip device



Soft starter installed with a system protection circuit breaker and main contactor



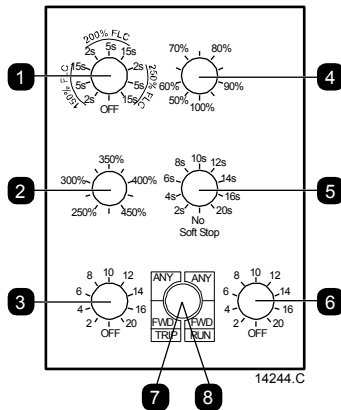
M	Motor (three phase)
K1	Main contactor
13, 14	Main contactor output



23, 24	Programmable output (set to Trip)
---------------	-----------------------------------

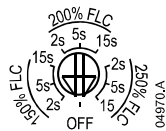


4 Adjustments



1	Current Ramp
2	Current Limit
3	Motor Trip Class
4	Motor FLC
5	Soft Stop Time
6	Excess Start Time
7	Auxiliary Relay Function
8	Phase Sequence Protection

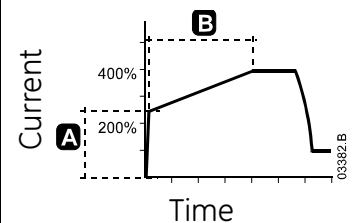
1 Current Ramp



Select the initial start current (A) and ramp time (B).

Current ramp starting extends the time soft starter takes to reach the current limit and is suitable for generator set supplies, loads requiring an extended start time or applications with extreme load variation between starts.

The ramp time does not control the time the motor will take to reach full speed.

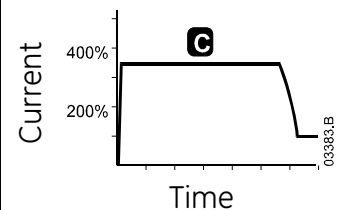


2 Current Limit

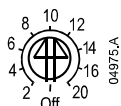


Select the current limit (C).

The current limit is the maximum level of current the soft starter will deliver to the motor during the soft start.



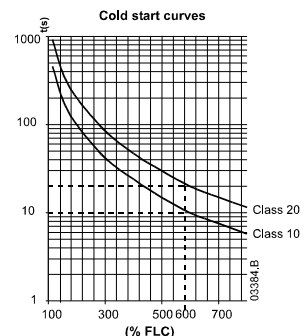
3 Motor Trip Class



Select the trip class for motor overload protection.

The trip class reflects the maximum time (in seconds) that the motor can run at locked rotor current. The Motor Trip Class setting assumes a locked rotor current of 600%.


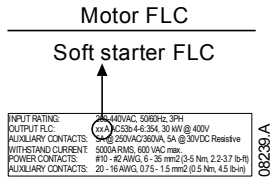
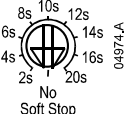
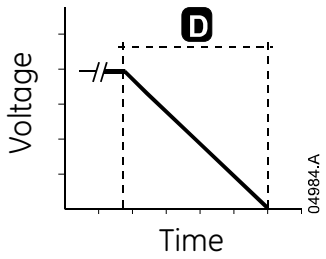
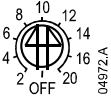
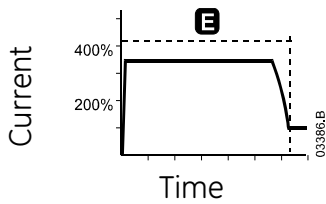
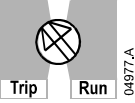
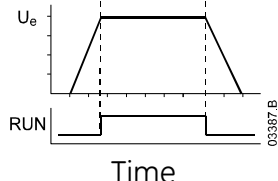
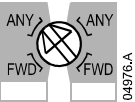
Setting the motor trip class to "Off"





disables motor overload protection.	
-------------------------------------	--



<p>4 Motor FLC</p>  <p>Configure the soft starter to match the motor's full load current (FLC). Configure according to the motor's nameplate current. Divide the motor's FLC by the soft starter's maximum current rating (on the soft starter's nameplate label).</p>										
<p>5 Soft Stop Time</p>  <p>Select the soft stop ramp time (D). Soft stop extends the time soft starter takes to reduce voltage to zero. The ramp time does not control the time the motor will take to stop completely.</p>										
<p>6 Excess Start Time</p>  <p>Configure the soft starter's excess start time protection. Select a time slightly longer than the motor requires for a normal healthy start. The soft starter will trip if the start does not complete within the selected time (E).</p>										
<p>7 Auxiliary Relay Function</p>  <p>Select the function of the soft starter's programmable output (terminals 23, 24). When set to "Run", the relay will operate when the soft start is complete. When set to "Trip", the relay will operate when the soft starter trips.</p>										
<p>8 Phase Sequence Protection</p>  <p>Configure the soft starter's phase sequence protection. Select the allowable phase sequences. A setting of "Fwd" allows forward sequence (positive rotation) only and a setting of "Any"</p>	<table border="1" data-bbox="1157 1792 1444 1937"> <tr> <td></td> <td>FWD</td> <td>ANY</td> </tr> <tr> <td></td> <td>✓</td> <td>✓</td> </tr> <tr> <td></td> <td>✗</td> <td>✓</td> </tr> </table> <p>04982.A</p>		FWD	ANY		✓	✓		✗	✓
	FWD	ANY								
	✓	✓								
	✗	✓								



defeats the protection.

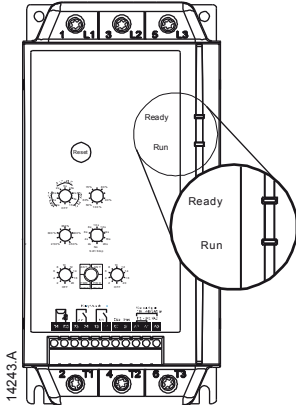


NOTE

Auxiliary relay function and phase sequence are configured using a shared switch. Set the auxiliary relay function as required, then set phase sequence protection.

5 Troubleshooting

5.1 LEDs




LED Status	Ready	Run
Off	No control power	Motor not running
On	Ready	Motor running at full speed
Flash	Starter tripped	Motor starting or stopping

5.2 Trip Codes

The Ready LED will flash a different number of times to indicate the cause of the trip.

Ready LED	Description
x 1	Power Circuit: Check mains supply (L1, L2, L3), motor circuit (T1, T2, T3), soft starter SCRs and bypass relays.
x 2	Excess Start Time: Check load, increase Current Limit or adjust Excess Start Time setting.
x 3	Motor Overload: Allow motor to cool, reset soft starter and restart. The soft starter cannot be reset until the motor has cooled.
x 4	Motor Thermistor: Check motor ventilation and thermistor connection B4, B5. Allow motor to cool.
x 5	Current imbalance: Check for mains supply or line current imbalance (L1, L2, L3).
x 6	Supply Frequency: Check mains voltage is available and supply frequency is in range.
x 7	Phase sequence: Check for correct phase sequence.
x 8	Network Communication Failure (between module and network): Check network connections, settings and configuration.
x 9	Starter Communication Failure (between starter and module): Remove and refit accessory module.



 × 10	Bypass Overload: Starter rating may be too low for the application.
--	---

5.3 Protections

The ASTAT XBm includes the following types of protection for the motor and starter:

5.3.1 Excess Start Time Protection

The ASTAT XBm will trip on excess start time if the motor does not successfully start within the time selected in the Excess Start Time setting. This may indicate that the load has stalled.

If the soft starter frequently trips on excess start time:

- check that the Current Limit setting is high enough for the application
- check that the Excess Start Time setting is long enough for the application
- check that the load has not stalled or increased since the soft starter was installed

5.3.2 Motor Overload Protection

The ASTAT XBm will trip on motor overload if it calculates that the motor has been running above its operating range for longer than the time selected in the Motor Trip Class setting. Motor Trip Class should be set to match the motor's locked rotor time. If this information is not available from the motor datasheet, use the default setting (Motor Trip Class = 10). Using a higher setting can damage the motor.



NOTE

Motor overload protection does not protect the soft starter, and does not protect the motor from short circuit.

5.3.3 Current Imbalance Protection

The ASTAT XBm will trip on current imbalance if the highest and lowest currents on the three phases vary by an average of 30% for more than 3 seconds. Current imbalance protection is not adjustable, and is only active when the average motor current is 50% or more of the programmed motor FLC.

If the soft starter frequently trips on current imbalance:

- check that there is no imbalance on the mains voltage (on the input side of the soft starter)
- insulation test the motor
- move all input cables over one position (move L1 cable to L2, move L2 cable to L3, move L3 cable to L1) to rule out a cabling fault



5.3.4 Supply Frequency Protection

The soft starter will trip on supply frequency if the frequency rises above 72 Hz or falls below 40 Hz for more than five seconds while the soft starter is running. These trip points are not adjustable.

In pre-start, starting and stopping modes the high and low frequency limits both apply with no time delay.

A supply frequency trip will also occur if:

- all three input phases are lost while the soft starter is running
- all three input phases fall below 120 VAC at start or while the soft starter is running
- the line contactor opens while running

5.3.5 Bypass Overload Protection

Bypass overload protection protects the soft starter from severe operating overloads while running. The protection is not adjustable and has two components:

- The soft starter will trip if it detects overcurrent at 600% of the programmed motor full load current.
- The soft starter models the temperature of the internal bypass relays and will trip if the temperature exceeds the safe operating level.

If the trip occurs frequently, this indicates that the soft starter has not been selected correctly for the application.

5.4 Reset

Trips can be cleared by pressing the Reset button on the soft starter, sending a Reset command from the serial communications network, or by switching the control inputs.

To clear a trip via the control inputs, the soft starter requires a closed to open transition on the stop input (O2).

- In three-wire control, use the external stop button to momentarily open the stop input (open A1-O2).
- In two-wire control, if the soft starter tripped with a start signal present, remove the start signal (open A1 to O1, O2).
- In two wire control, if the ASTAT XB/XBm tripped with no start signal present (eg ASTAT XBm motor thermistor trip), apply then remove the start signal (close then reopen A1 to O1, O2).

The Reset button is located on the front of the unit, above the adjustment switches.

The soft starter will trip again immediately if the cause of the trip still exists.



6 Accessories

6.1 Finger Guard Kit

Finger guards may be specified for personnel safety. Finger guards fit over the soft starter terminals to prevent accidental contact with live terminals. Finger guards provide IP20 protection when used with cable of diameter 22 mm or greater.

6.2 Remote Operator

The Remote Operator can control and monitor the soft starter's performance. Functionality includes:

- Operational control (Start, Stop, Reset, Quick Stop)
- Starter status monitoring (Ready, Starting, Running, Stopping, Tripped)
- Performance monitoring (motor current, motor temperature)
- Trip code display
- 4-20 mA analog output (Motor Current)

6.3 Communication Modules

ASTAT XBm soft starters support network communication via easy-to-install communications modules. Each soft starter can support one communications module at a time.

Available protocols:

Ethernet (Profinet, Modbus TCP, Ethernet IP), Profibus, DeviceNet, Modbus RTU, and USB.

6.4 PC Software

GE ASTAT Setup Tool ed.03 can be used with GE soft starters to provide the following functionality for networks of up to 99 soft starters:

- Operational control (Start, Stop, Reset, Quick Stop)
- Starter status monitoring (Ready, Starting, Running, Stopping, Tripped)
- Performance monitoring (motor current, motor temperature)

To use GE ASTAT Setup Tool ed.03 with the ASTAT XBm, the soft starter must be fitted with a USB Module, Modbus Module or a Remote Operator.



7 Specifications

	AC53b 4-6:354 < 1000 metres		AC53b 4-20:340 < 1000 metres	
	40 °C	50 °C	40 °C	50 °C
QCxx018	18 A	17 A	17 A	15 A
QCxx034	34 A	32 A	30 A	28 A
QCxx042	42 A	40 A	36 A	33 A
QCxx048	48 A	44 A	40 A	36 A
QCxx060	60 A	55 A	49 A	45 A
	AC53b 4-6:594 < 1000 metres		AC53b 4-20 580 < 1000 metres	
	40 °C	50 °C	40 °C	50 °C
QCxx075	75 A	68 A	65 A	59 A
QCxx085	85 A	78 A	73 A	67 A
QCxx100	100 A	100 A	96 A	87 A
QCxx140	140 A	133 A	120 A	110 A
QCxx170	170 A	157 A	142 A	130 A
QCxx200	200 A	186 A	165 A	152 A

7.1 Semiconductor Fuses

Semiconductor fuses can be used with ASTAT XBm soft starters to reduce the potential for damage to SCRs from transient overload currents and for Type 2 coordination. ASTAT XBm soft starters have been tested to achieve Type 2 coordination with semiconductor fuses. Suitable Bussmann and Ferraz/Mersen semiconductor fuses are detailed below.

Model	SCR I ² t (A ² s)	Ferraz/Mersen Fuse European/IEC Style (North American Style)	Bussmann Fuse Square Body (170M)	Bussmann Fuse British Style (BS88)
QCxx018	1150	6.6URD30xxxA0063 (A070URD30xxx0063)	170M-1314	63 FE
QCxx034	8000	6.6URD30xxxA0125 (A070URD30xxx0125)	170M-1317	160 FEE
QCxx042	10500	6.6URD30xxxA0160 (A070URD30xxx0160)	170M-1318	160 FEE
QCxx048	15000	6.6URD30xxxA0160 (A070URD30xxx0160)	170M-1318	180 FM
QCxx060	18000	6.6URD30xxxA0160 (A070URD30xxx0160)	170M-1319	180 FM



QCxx075	51200	6.6URD30xxxA0250 (A070URD30xxx0250)	170M-1321	250 FM
QCxx085	80000	6.6URD30xxxA0315 (A070URD30xxx0315)	170M-1321	250 FM
QCxx100	97000	6.6URD30xxxA0315 (A070URD30xxx0315)	170M-1321	250 FM
QCxx140	168000	6.6URD31xxxA0450 (A070URD31xxx0450)	170M-1322	500 FMM
QCxx170	245000	6.6URD31xxxA0450 (A070URD31xxx0450)	170M-3022	500 FMM
QCxx200	320000	6.6URD31xxxA0450 (A070URD31xxx0450)	170M-3022	500 FMM

xxx = Blade Type. Contact Ferraz/Mersen for options.

7.2 General Technical Data

Mains Supply

Mains voltage (L1, L2, L3)

- 1 3 x 200 VAC ~ 440 VAC (+ 10% / - 15%)
- 3 3 x 200 VAC ~ 575 VAC (+ 10% / - 15%)

Mains frequency (at start) 45 Hz to 66 Hz

Rated insulation voltage 600 VAC

Form designation Bypassed semiconductor motor starter form 1

Control Voltage (A1, A2, A3)

QCx1xxxxX 110-240 VAC (+ 10% / - 15%)
 or 380-440 VAC (+ 10% / - 15%)

QCx2xxxxX 24 VAC/VDC (± 20%)

Current consumption (during run) < 100 mA

Current consumption (inrush)

- QCx1xxxxX 10 A
- QCx2xxxxX 2 A

Inputs

Start (terminal 01) Normally open
 150 kΩ @ 300 VAC and 5.6 kΩ @ 24 VAC/VDC

Stop (terminal 02) Normally closed
 150 kΩ @ 300 VAC and 5.6 kΩ @ 24 VAC/VDC

Outputs

Main contactor relay (terminals 13, 14) Normally open
 6 A, 30 VDC / 6 A, 250 VAC resistive

Programmable relay (terminals 23, 24) Normally open
 6 A, 30 VDC / 6 A, 250 VAC resistive



Environmental

Degree of Protection QCxxx018 to QCxxx100	IP20
Degree of Protection QCxxx140 to QCxxx200	IP00
Operating temperature	- 10 °C to + 60 °C
Storage temperature	-25 °C to + 60 °C (to +70 °C for less than 24 hours)
Humidity	5% to 95% Relative Humidity
Pollution degree	Pollution Degree 3
Vibration	IEC 60068 Test Fc Sinusoidal
.....	4 Hz to 13.2 Hz: ± 1 mm displacement
.....	13.2 Hz to 200 Hz: ± 0.7 g

EMC Emission

Equipment class (EMC)	Class B
Conducted radio frequency emission ..	0.15 MHz to 0.5 MHz: < 56-46 dB (µV)
.....	0.5 MHz to 5 MHz: < 46 dB (µV)
.....	5 MHz to 30 MHz: < 50 dB (µV)
Radiated radio frequency emission	30 MHz to 230 MHz: < 30 dB (µV/m)
.....	230 MHz to 1000 MHz: < 37 dB (µV/m)

EMC Immunity

Electrostatic discharge	4 kV contact discharge, 8 kV air discharge
Radio frequency electromagnetic field ...	0.15 MHz to 1000 MHz: 140 dB (µV)
Rated impulse withstand voltage (Fast transients 5/50 ns)	
.....	2 kV line to earth, 1 kV line to line
Voltage dip and short time interruption	100 ms (at 40% nominal voltage)
Harmonics and distortion	IEC61000-2-4 (Class 3), EN/IEC61800-3

Short Circuit

Rated short-circuit current QCxxx018 to QCxxx048	5 kA ¹
Rated short-circuit current QCxxx060 to QCxxx200	10 kA ¹

¹ These short circuit ratings are with fuses used as given in the table under *Semiconductor Fuses*.

Heat Dissipation

During Start	3 watts / ampere
During Run	10 watts typical

Standards Approvals

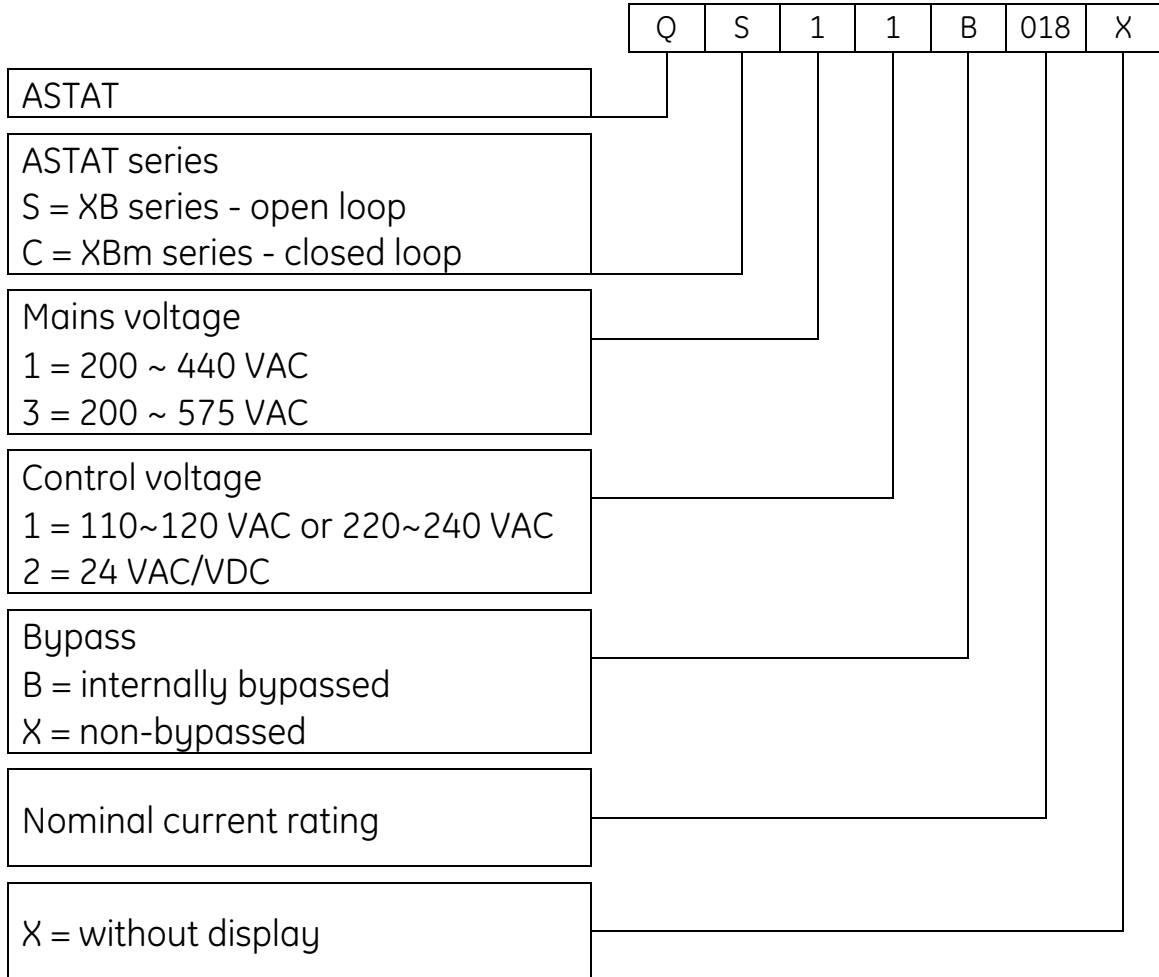
C✓	IEC 60947-4-2
CCC (pending)	GB 14048.6
CE	IEC 60947-4-2
GOST (pending)	GOST R 50030.4.1-2002
Marine (pending)	
.....	Lloyds Marine No 1 Specification, ABS: 2010 Steel Vessels Rules



RoHS Compliant with EU Directive 2002/95/EC
UL / C-UL (pending) UL 508

7.3 Model Code

Example: Model QS11B018X



E710-16170-00AA
E1