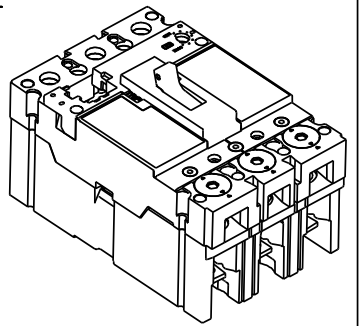
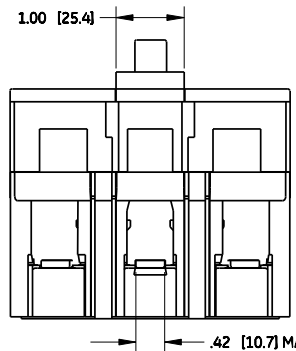
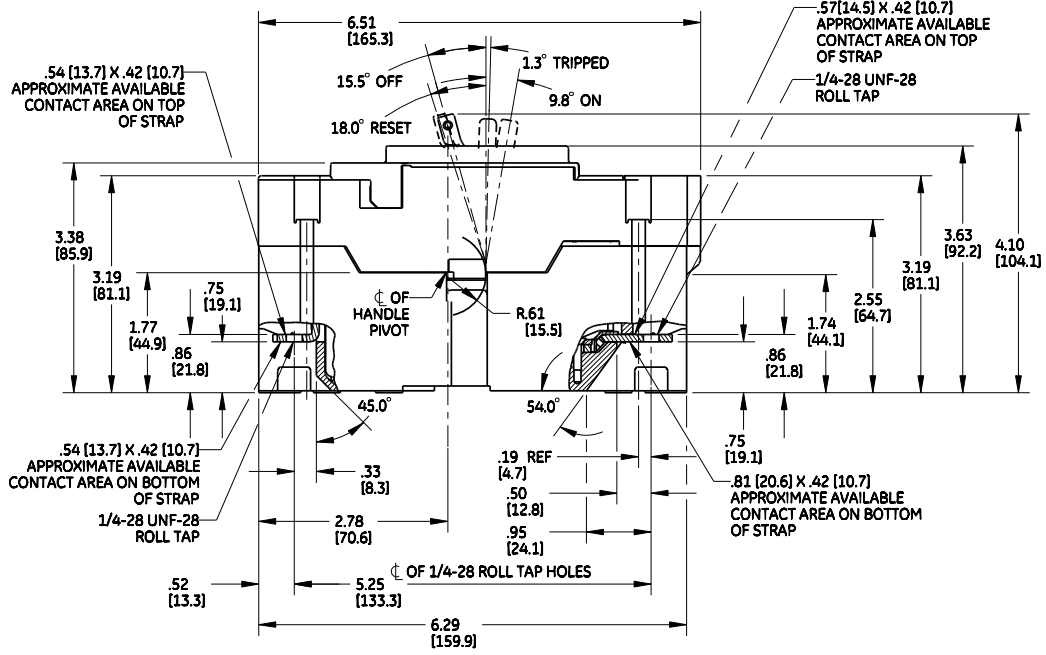


DOOR CUT-OUT



OPERATING FORCES	
TRIPPED TO MAX RESET	28LB(12.7KG)
OFF TO ON	13LB(5.9 KG)
ON TO OFF	14LB(6.4KG)

imagination at work

OUTLINE DRAWING - CIRCUIT BREAKER  
GE SPECTRA RMS - SE 150

DWG NO.	DATE	REV
GEM-2877	12/23/09	03

DUAL DIMENSIONS - INCHES  
(MILLIMETERS)