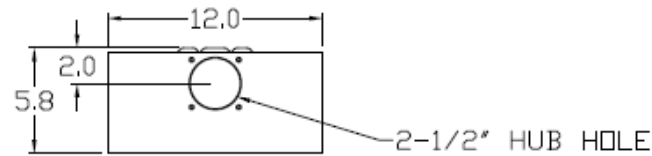


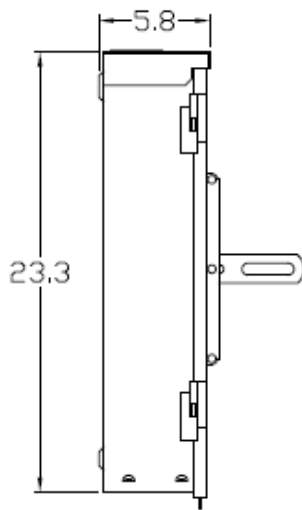
**Top View**



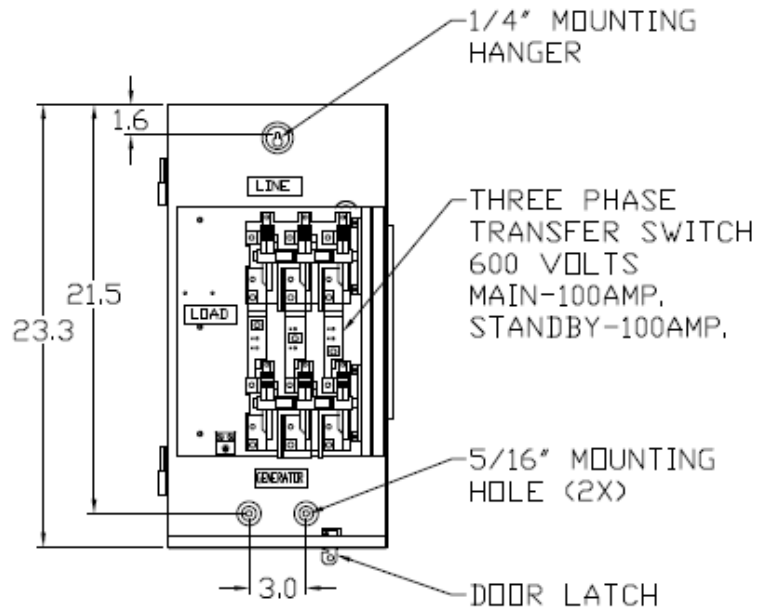
**Notes**

- USE (1) #12 - 1/0 MCM CU/AL WIRE PER LUG FOR 100 AMP SWITCH
- EQUIP, GRD.-#12-#2 CU/AL

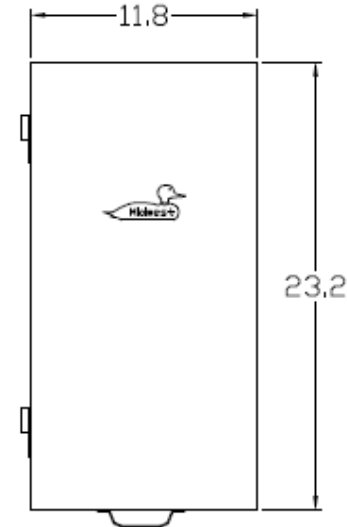
**Left Side View**



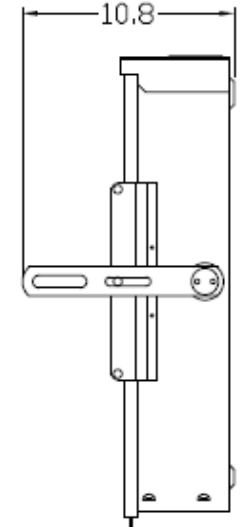
**Front View Internal**



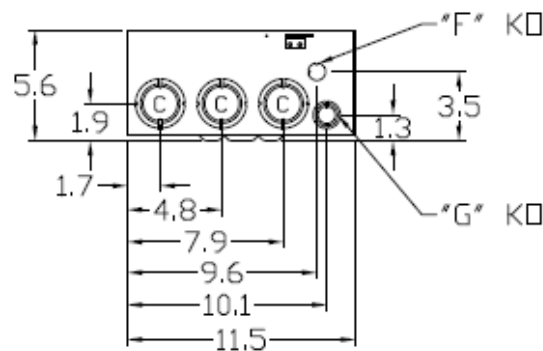
**Front View External**



**Right Side View**



**Bottom View**



**Wire Range**

(1) #12 - 1/0 (CU/AL)

**Knockouts**

C= 1-1/4", 1-1/2", 2" KO  
F= 1/2" KO  
G= 1/2", 3/4", 1" KO

MIDWEST HD TRANSFER SWITCH 3P 10K 100A MAIN  
100A STANDBY 3PH 600V N3R G90 STEEL ENCL

CAT NO	DWG DATE	REV #
GS3161B12UL	03/03/2017	01