



GE-HITACHI HVB, Inc.

A HISTORY OF ADVANCED TECHNOLOGY AND PERFORMANCE

HS Series 72.5/123/145kV Dead Tank SF₆ Gas Circuit Breakers

- **Spring-Spring Mechanism**
Coil spring mechanism provides efficient and reliable closing and tripping of the interrupter
- **Cast Aluminum Gas Tank**
Dead tank design allows for bushing current transformers on both sides of the interrupter
- **SF₆ Gas System** need not be evacuated to perform testing and calibration of pressure switches
- **Virtually Paint Free**
- **Height Adjustable Frame**
Adjustable steel frame allows for easy transportation and installation
- **Removable Arcing Contact**
The arcing contact is removable through the stationary endplate for inspection of contact wear
- **High Performance at Low Temperatures**
Normal operation down to -30^o C without the need for electric heaters
- **Performance and Reliability**
Isolated Phase Interrupting eliminates the possibility of a single phase fault affecting the security of all phases
- **Dual Rated for ANSI and IEC**



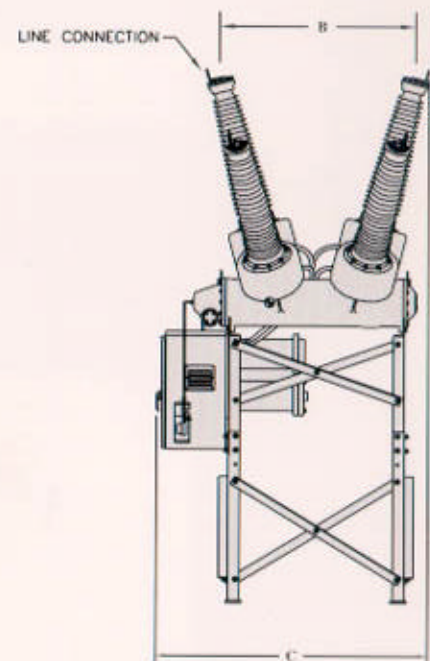
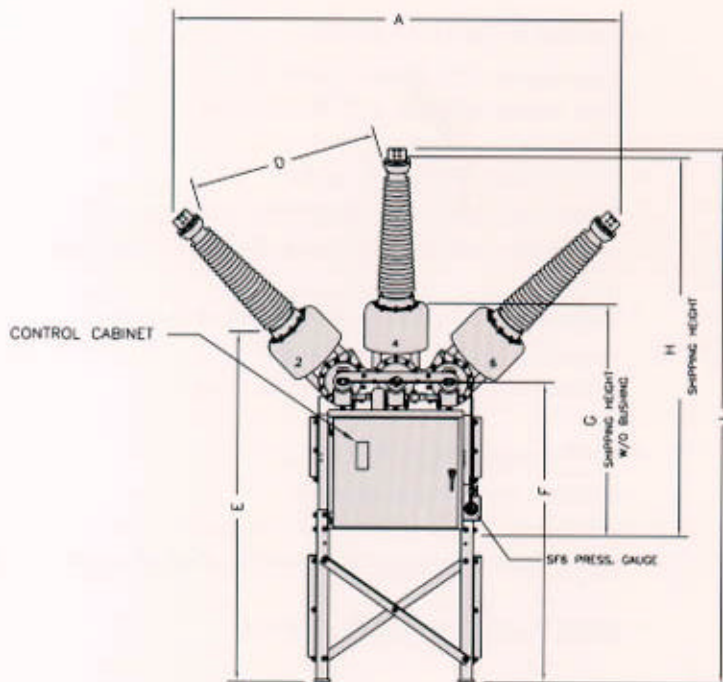
HS Series Ratings

Specifications	72.5kV	123/145kV
Maximum Voltage, kV (rms)	72.5	145
•Rated Voltage Range Factor, K	1	1
Low Frequency Withstand, kV (rms)	160	275
Impulse Withstand (crest), kV	350	650
Rated Continuous Current	3000	3000
Rated Short Circuit Current at Maximum Voltage, kA (rms)	40	40
•Short Line Fault Test Current, kA (rms)	36	36
•Interrupting Time, cycles	3	3
•Rated Permissible Tripping Delay Y, seconds	2	2
•Maximum Symmetrical Interrupting Capability, kA (rms)	40	40
•3-Second Short Time Current Carrying Capability, kA (rms)	40	40
•Closing and Latching Capability, kA (rms) crest	108	108
Total SF ₆ Required per Breaker, lb	31	44
Net Weight (including SF ₆) lb per breaker	5000	5511
Shipping Weight (less SF ₆), lb per breaker	4969	5555

HS Series Dimensions

Dimensions	72kV	123/145kV
A	10'- 1"	12'- 5 1/4"
B	4'- 6 1/2"	5'- 5 1/2"
C	7'- 1"	7'- 6 3/4"
D	4'- 0 1/4"	5'- 3"
E	9'- 8 1/4"	9'- 8 1/4"
F	8'- 3 3/4"	8'- 3 3/4"
G	6'- 5"	6'- 5"
H	8'- 9 1/4"	10'- 5 3/4"
I	13'- 3 3/4"	14'- 9 1/4"

Actual dimensions may vary due to design and customer specifications



GE-HITACHI HVB, Inc.

7250 McGinnis Ferry Rd • Suwanee, Georgia 30024, Phone (770) 495-1755 • FAX (770) 623-9214

visit our web site at www.hvbi.com



HS4200