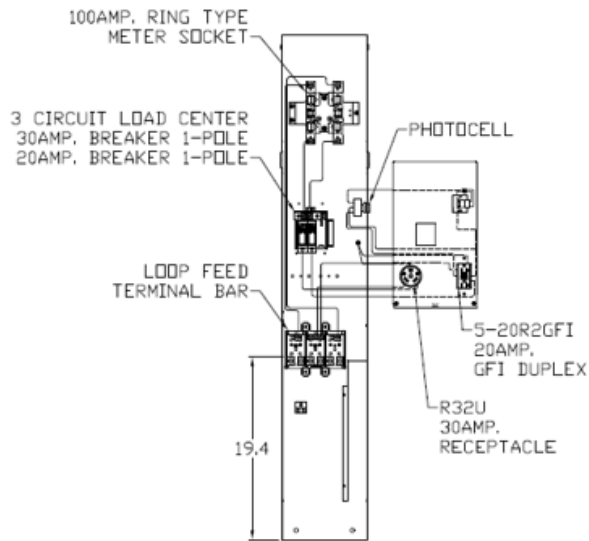
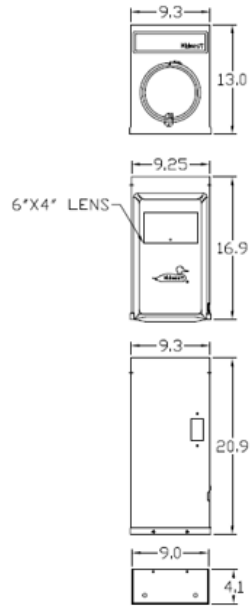


Front View Interior

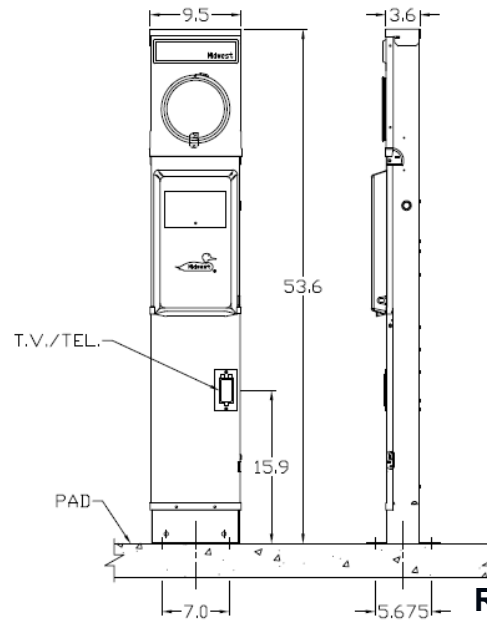


Front View Inside Cover

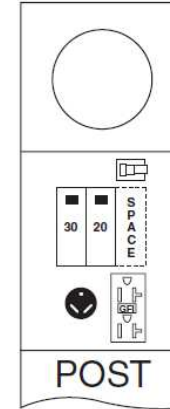


Front View External # 1

Front View External # 2



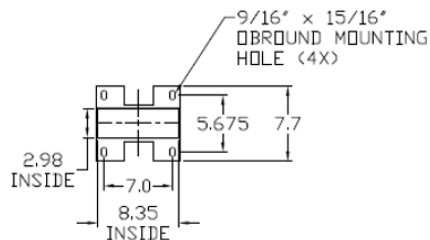
Configuration



Wire Range Size

CONNECTOR	COPPER		ALUMINUM	
	SOLID	STRAND	SOLID	STRAND
LINE	---	6-1/0	---	6-1/0
LOAD	14-10	14-10	---	---
NEUTRAL	14-4	14-4	14-4	14-4
POST LINE CONNECTORS SUITABLE FOR LOOP FEED	#6-350 KCMIL		#6-350 KCMIL	
EQUIP. GRND. POST	14-2/0	14-2/0	14-2/0	14-2/0

Bottom View



Receptacles

R32U
5-20R2GFCI

Circuit Protection

THQL1130
THQL1120
Space THQL1120

NOTES: 1. PAD MOUNTED POST

MIDWEST RV EQUIP METALLIC 100A LIGHTED PAD MNT PED RING MTR 30/20A GFI RECPT TV/TEL 120V 1PH3W UL LISTED G90 N3R

CAT NO	DWG DATE	REV #
M041CP4L31	04/13/2017	01