

20A GFCI Power Outlet

At Midwest Electric, we call this our most useful power outlet because of its versatility. It's used to power landscape lighting, corded landscaping equipment, engine block heaters, and a variety of other power tools and accessories. This power outlet is a favorite amongst home owners, commercial and municipal maintenance managers, and farmers for convenient GFCI protected power.



Features and construction

- NEMA 3R weatherproof enclosure for all outdoor applications
- G90 galvanized steel construction for superior corrosion protection
- Durable polyester powder coat finish resists chipping and fading
- Weather resistant and tamper resistant GFCI receptacle
- Angled dead-front and rolled door edge to protect cords
- Factory wired terminations save you time and money
- Factory installed Cu/Al ground lug
- Padlock provision to prevent unauthorized access
- Convenient stay-open door for convenience



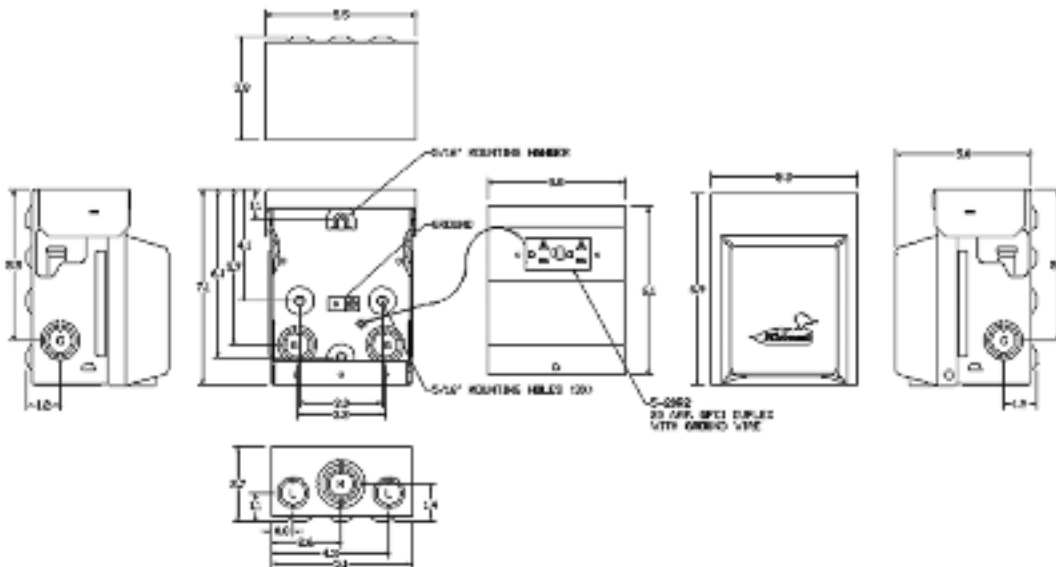
20A GFCI Power Outlet

Specifications

Model Number	U010SEP
Mounting	Surface
Receptacles	(1) 5-20R2GFCI (20A GFCI)
Feed	Underground
AIC	10,000
Volts	120
Amps	20
Cabinet Size	5 X 7
Certification	UL/CUL
Unit Weight	4.5 lbs.



Dimensions



Knockouts

Symbol	Knockout
L	1/2", 3/4"
M	1/2", 3/4", 1", 1 1/4"
G	1/2", 3/4", 1"

Wire Range (Copper)

Connector	Solid	Stranded
Line	14-10	14-10
Load	14-10	14-10
Neutral	14-10	14-10
Equipment Ground	12-8	12-2

Information provided is subject to change without notice. Please verify all details with Midwest Electric Products. All values are design or typical values when measured under laboratory conditions, and Midwest makes no warranty or guarantee, express or implied, that such performance will be obtained under end-use conditions.

Midwest Electric Products
 41 Woodford Avenue
 Plainville, CT 06062
 Customer Service: 866-685-0577 • Fax: 804-965-1041
www.midwestelectric.com

© 2014 Midwest Electric Products

MET-008A (02/14)

