

# Engine Block Heater Power Outlet

If you use an engine block heater, you need power. Midwest makes an engine block heater power outlet to meet this need. The Midwest engine block heater power outlet meets the specifications requiring GFCI circuit breakers, not GFCI outlets, for this application.

Our power outlet is suitable for engine block heaters installed at municipal parking lots, schools, commercial buildings, homes – anywhere that people need to be sure their vehicles will start on those frigid winter days!



U014GWTR



# Engine Block Heater Power Outlet

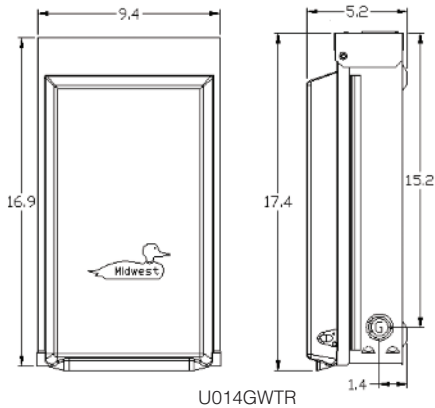
## Technical Data

Voltage	125 Vac
Receptacles	20A, weather-resistant, tamper-resistant
Circuit Breakers	20A GFCI
Enclosure	NEMA 3R, Gray
Standard pack	1



Model Number	Amp Rating	Receptacles	Circuit Breakers	Weight (lbs)
U014GWTR	100	(4) 5-20R 20A Duplex	(4) 20A GFCI 1-pole	15.2

## Dimensions



## Knockouts

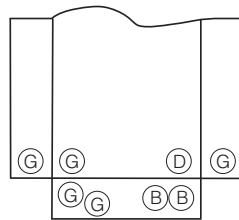
### Knockout Key

B = 1", 1-1/4", 1-1/2"

D = 3/4", 1", 1-1/4"

G = 1/2", 3/4", 1"

S = 1/2", 3/4", 1", 1-1/4", 1-1/2"



U014GWTR

## Wire Range

Connector	U014GWTR			
	Copper		Aluminum	
	Solid	Stranded	Solid	Stranded
Line	14-8	14-1/0	12-8	12-1/0
Load	14-10	14-10	-	-
Neutral (End Hole)	-	-	-	-
Neutral (Side Hole)	-	-	-	-
Neutral (Large Hole)	12-8	12-1/0	10-8	10-1/0
Neutral (Small Hole)	14-8	14-4	12-8	12-4
Equipment Ground	12-8	12-2	12-8	12-2

Information provided is subject to change without notice. Please verify all details with Midwest Electric Products. All values are design or typical values when measured under laboratory conditions, and Midwest makes no warranty or guarantee, express or implied, that such performance will be obtained under end-use conditions.

## Midwest Electric Products

41 Woodford Avenue

Plainville, CT 06062

Customer Service: 866-685-0577 • Fax: 804-965-1041

[www.midwestelectric.com](http://www.midwestelectric.com)

© 2014 Midwest Electric Products

MET-014A (02/14)

