

Temporary Power



Midwest Electric Products

Temporary Power

Midwest Electric provides the temporary power needed by construction trades prior to permanent service equipment installation. Having this equipment on the job site eliminates concerns about safety, theft, vandalism, weather, nuisance tripping, durability and code violations.

These units come to the construction job site ready to work. They are completely factory assembled, factory wired, and factory tested. The only thing you need to do is mount them and make the electrical connection.



U055C033

Features and Benefits

Rugged Durability

- NEMA 3R enclosure is weather resistant and tamper resistant
- Rolled edge door protects cords
- Continuous duty meter socket with meter guides and reinforced jaws (ringless and ring type)
- Utility accepted meter sealing accommodations
- G90 galvanized steel construction for superior corrosion protection
- Durable polyester powder coat finish resists chipping and fading
- Meets National Electrical Code and OSHA requirements

User Safety

- Dead front construction prevents accidental contact with live parts
- Padlock provision to prevent unauthorized access

Installation Ease

- Factory wired and assembled components reduce installation time
- Removable door has stay-open position
- All terminals accept copper or aluminum wire
- Wide range of receptacle configurations
- Broad range of concentric knockouts accommodate wiring needs
- All units are supplied with a factory installed Cu/Al equipment ground lug

Selection

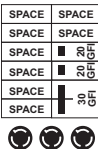
Note: All models are cULus listed, are suitable for use on 120/240V 3-wire systems and have hub openings.

Unmetered

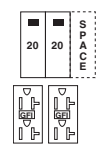
Model Number	Amp	Receptacle	Circuit Protection	Diagram	Load & Neutral Bar	Cabinet Size	Wire Range	Unit Wt.	Std Pkg.
U010C	20	5-20R	CB120		LC31N3	6 x 9	B	7	4
U010C010	20	5-20R2GFI	CB120		—	6 x 9	B	7	4
U013C	30	R32U	CB130		LC31N3	6 x 9	A	7	4
U011C010	70	(2) 5-20R2GFI	(2) CB120, 1-Pole Space		LC33N	6 x 14	K	7	4
U054C	70	14-50R	CB250, 1-Pole Space		LC33N7	6 x 14	O	10	4
U055C010	70	14-50R, 5-20R2GFCI	CB250, CB120		LC33N7	6 x 14	K	10	4
U055C033	70	14-50R, 5-20R2GFCI	GFI250, CB120		LC33N7	6 x 14	K	10	4
U055G	70	14-50R, 5-20R2	CB250, GFI120		LC33N7	6 x 14	K	10	4
U038C010	100	6-20R, (2) 5-20R2GFI	CB220, (2) CB120, 1-Pole Space		LC55N1	9 x 17	U	15	1
U870G	100	L6-30R, (2) L5-20R	CB230, (2) GFI120, 1-Pole Space		LC55N1	9 x 17	Q	16	1

(continued)

Unmetered (continued)

Model Number	Amp	Receptacle	Circuit Protection	Diagram	Load & Neutral Bar	Cabinet Size	Wire Range	Unit Wt.	Std Pkg.
U239G	200	L6-30R, (2) L5-20R	GFI230, (2) GFI120, (8) 1-Pole Space		LC1212AC	14 x 21	N	32	1

Metered

Model Number	Amp	Receptacle	Circuit Protection	Diagram	Load & Neutral Bar	Cabinet Size	Wire Range	Unit Wt.	Std Pkg.
R011C010U	100	(2) 5-20R2GFI	(2) CB120, 1-Pole Space		LC33N1	9 x 30	X	21	1

Wire Range Tables

Table A

Connector	Copper		Aluminum	
	Solid	Strand	Solid	Strand
Line	14-8	14-6	12-8	12-6
Load	-	-	-	-
Neutral	12-8	12-6	12-8	12-6
Equip. Ground	12-8	12-2	12-8	12-2

Table O

Connector	Copper		Aluminum	
	Solid	Strand	Solid	Strand
Line	14-8	14-2	12-8	12-2
Load	-	-	-	-
Neutral	End hole	14-8	14-2	12-2
	Side hole	14-8	14-4	12-4
Equip. Ground	12-8	12-2	12-8	12-2

Table B

Connector	Copper		Aluminum	
	Solid	Strand	Solid	Strand
Line	14-8	14-6	12-8	12-6
Load	14-10	14-10	-	-
Neutral	12-8	12-6	12-8	12-6
Equip. Ground	12-8	12-2	12-8	12-2

Table Q

Connector	Copper	
	Solid	Strand
Line	14-8	14-1/0
Load	14-10	14-10
Neutral	End hole	12-8
	Side hole	14-8
Equip. Ground	12-8	12-2

Table K

Connector	Copper		Aluminum	
	Solid	Strand	Solid	Strand
Line	14-8	14-2	12-8	12-2
Load	14-10	14-10	-	-
Neutral	End hole	14-8	14-2	12-8
	Side hole	14-8	14-4	12-8
Equip. Ground	12-8	12-2	12-8	12-2

Table U

Connector	Copper		Aluminum	
	Solid	Strand	Solid	Strand
Line	-	1-300	-	1-300
Load	14-10	14-10	-	-
Neutral	Small hole	14-1/0	14-1/0	14-1/0
	Large hole	14-6	14-6	14-6
Equip. Ground	12-8	12-2	12-8	12-2

Table N

Connector	Copper		Aluminum	
	Solid	Strand	Solid	Strand
Line	Mtr Socket	-	1-300	-
Load	Base Lugs	-	-	-
Neutral	Lrg Sngl Lug	-	1-300	-
	Sm Sngl Lug	14-8	14-1/0	12-8
	Lrg Hole	14-8	10-4	-
	Sm Hole	14-8	12-8	12-8
Equip. Ground	Lrg Hole	12-8	12-1/0	12-10
	Sm Hole	14-8	14-4	12-10

Table X

Connector	Copper		Aluminum	
	Solid	Strand	Solid	Strand
Line	-	6-1/0	-	6-1/0
Load	14-10	14-10	-	-
Neutral	-	6-350	-	6-350
Neutral	-	1-300	-	1-300
Equip. Ground	12-8	12-2	12-8	12-2

Technical Data

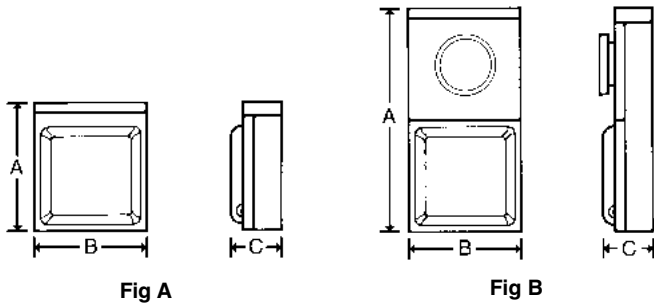
Unmetered

Model Number	Enclosure Style	Cabinet Dimension (inches)			Knockout Figure
		Height A	Width B	Depth C	
U010C	A	9-1/8	7-1/4	5-3/16	1
U010C010		14-3/8	6-3/4	5-3/16	1
U011C010		14-3/8	6-3/4	5-3/16	1
U013C		9-1/8	7-1/4	5-3/16	1
U038C010		17-3/8	9-3/4	5-3/16	2
U054C		14-3/8	6-3/4	5-3/16	1
U055C010		14-3/8	6-3/4	5-3/16	1
U055C033		14-3/8	6-3/4	5-3/16	1
U055G		14-3/8	6-3/4	5-3/16	1
U239G		21-1/2	14-3/4	6-5/8	6
U870G		17-3/8	9-3/4	5-3/16	2

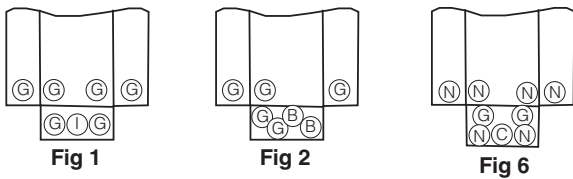
Metered

Model Number	Replacement Meter Socket	Enclosure Style	Cabinet Dimension (inches)			Knockout Figure
			Height A	Width B	Depth C	
R011C010U	MSM100EZ	B	30	9-3/4	5-3/16	2

Enclosures



Knockouts



Knockout Key

B = 1", 1-1/4", 1-1/2"

C = 1-1/4", 1-1/2", 2", 2-1/2"

G = 1/2", 3/4", 1"

I = 1/2", 3/4", 1", 1-1/4", 1-1/2"

N = 1-1/4", 1-1/2", 2"

Temporary Power

Midwest vs. Do-it-yourself

Figure your savings!

Midwest		Do-it-yourself	
<ul style="list-style-type: none"> • Integrated design • Fully assembled and prewired • Padlockable NEMA 3R enclosure • Stay-open door position for ease of use • Rolled edge door protects cords • Many receptacle, breaker, socket options • UL Listed 		Component	Cost
		Weatherproof box	\$
		Receptacle(s)	\$
		Circuit breaker(s)	\$
		In-use cover	\$
		Fittings and wire	\$
		Meter	\$
Model Number		Labor	\$
Total cost	\$	Total cost	\$

Information provided is subject to change without notice. Please verify all details with Midwest. All values are design or typical values when measured under laboratory condition, and Midwest makes no warranty or guarantee, express or implied, that such performance will be obtained under end-use conditions.

Midwest Electric Products
 41 Woodford Avenue
 Plainville, CT 06062
 Customer Service: 866-685-0577
 Fax: 804-965-1041
www.midwestelectric.com

© 2014 Midwest Electric Products

MET-019A (02/14)

