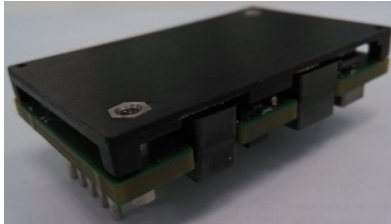


## QSTS015A0S10R0 BARRACUDA\* Series; DC-DC Converter Power Modules

### 45Vdc –65Vdc input; 10Vdc output; 15A Output Current



### RoHS Compliant

### Applications

- Hybrid power architectures
- Wireless Networks
- Enterprise Networks including Power over Ethernet (PoE)
- Industrial Equipment

### Options

### Features

- Compliant to RoHS II EU "Directive 2011/65/EU (-Z versions)
- Compliant to REACH Directive (EC) No 1907/2006
- Small Size and low profile, follows industry standard DOSA 1/4<sup>th</sup> Brick footprint  
58.4 mm x 36.8 mm x 12.7 mm  
(2.30 in x 1.45 in x 0.50 in)
- Input Voltage Range, 45Vdc to 65Vdc
- No minimum load
- High efficiency – 92.5% at full load
- Constant switching frequency
- Low output ripple and noise
- Paste-in-hole reflow compliant for all versions, TH pins and heat plates
- Negative Remote On/Off logic
- Output overcurrent/voltage protection (hiccup)
- Over-temperature protection
- Output Voltage adjust: 9.7 to 10.3V
- Suitable for cold wall cooling using heatplate version of the module
- ANSI/UL#60950-1-2011 and CAN/CSA† C22.2 No. 60950-1-07, Second Edition + A1:2011 (MOD), dated March 19, 2011; and DIN EN 60950-1 (VDE‡ 0805 Teil 1):2011-01; EN 60950-1:2006 + A11:2009 + A1:2010, DIN EN 60950-1/A12 (VDE 0805-1/A12):2011-08; EN 60950-1/A12:2011-02, IEC 60950-1(ed.2);am1:2009
- CE mark meets 2006/95/EC directive§
- Meets the voltage and current requirements for ETSI 300-132-2 and complies with and licensed for Basic insulation rating per EN60950-1
- 2250 Vdc Isolation tested in compliance with IEEE 802.3<sup>¶</sup> PoE standards
- ISO\*\*9001 and ISO 14001 certified manufacturing facilities

### Description

The QSTS015A0S10R0 [BARRACUDA\*] Series, quarter-brick, low-height power modules are isolated dc-dc converters which provide a single, precisely regulated output voltage over an ultra-wide input voltage range of 45-65Vdc. The QSTS015A0S10R0 provides 10Vdc nominal output voltage rated for 15A<sub>dc</sub> output current. The module incorporates GE's vast heritage for reliability and quality, while also using the latest in technology, and component and process standardization to achieve highly competitive cost. The module achieves typical full load efficiency greater than 92.5% at  $V_{IN}=48V_{dc}$ . Standard features include remote On/Off, remote sense, output voltage adjustment, overvoltage, overcurrent and over temperature protection. The heat plate helps the module achieve higher output current in high temperature applications.

\* Trademark of General Electric Company.

# UL is a registered trademark of Underwriters Laboratories, Inc.

† CSA is a registered trademark of Canadian Standards Association.

‡ VDE is a trademark of Verband Deutscher Elektrotechniker e.V.

§ This product is intended for integration into end-user equipment. All of the required procedures of end-use equipment should be followed.

¶ IEEE and 802 are registered trademarks of the Institute of Electrical and Electronics Engineers, Incorporated.

\*\* ISO is a registered trademark of the International Organization of Standards

## QSTS015A0S10R0 Series: DC-DC Converter Power Module

45 to 65Vdc Input; 10Vdc, 15A, 150W Output

### Absolute Maximum Ratings

Stresses in excess of the absolute maximum ratings can cause permanent damage to the device. These are absolute stress ratings only, functional operation of the device is not implied at these or any other conditions in excess of those given in the operations sections of the technical requirement. Exposure to absolute maximum ratings for extended periods can adversely affect the device reliability.

Parameter	Device	Symbol	Min	Max	Unit
Input Voltage (Continuous)	All	$V_{IN}$	-0.3	70	Vdc
Transient (100ms)	All	$V_{IN,trans}$	-0.3	90	Vdc
Operating Ambient Temperature (see Thermal Considerations section)	All	$T_A$	-40	85	°C
Storage Temperature	All	$T_{stg}$	-55	125	°C
I/O Isolation Voltage (100% factory Hi-Pot tested)	All	—	—	2250	Vdc

### Electrical Specifications

Unless otherwise indicated, specifications apply at  $V_{IN} = 48V_{dc}$ , resistive load, and  $T_A = 25C$  conditions with airflow=300LFM apply over all operating input voltage, resistive load, and temperature conditions.

Parameter	Device	Symbol	Min	Typ	Max	Unit
Operating Input Voltage	All	$V_{IN}$	45	48	65	Vdc
Input No Load Current $V_{IN} = 48V_{dc}$ , $I_O = 0$ , module enabled)	All	$I_{IN,No\ load}$		120		mA
Input Stand-by Current $V_{IN} = 48V_{dc}$ , module disabled)	All	$I_{IN,stand-by}$		8		mA
Maximum Input Current ( $V_{IN}=45V_{dc}$ , $I_O=I_{O,max}$ )	10.0 $V_O$				3.8	A <sub>dc</sub>
Inrush Transient	All	$I^2t$			0.1	A <sup>2</sup> s
Input Reflected Ripple Current, peak-to-peak (5Hz to 20MHz, 12 $\mu$ H source impedance; $V_{IN}=0V$ to 65Vdc, $I_O=I_{O,max}$ ; see Test configuration section)	All			30		mA <sub>p-p</sub>
Input Ripple Rejection (120Hz)	All			60		dB
EMC, EN55022		See EMC Considerations section				

**CAUTION: This power module is not internally fused. An input line fuse must always be used.**

This power module can be used in a wide variety of applications, ranging from simple standalone operation to being part of complex power architecture. To preserve maximum flexibility, internal fusing is not included; however, to achieve maximum safety and system protection, always use an input line fuse. The safety agencies require a fast-acting fuse with a maximum rating of 30A (voltage rating 250Vac) in the ungrounded input lead. (Bussmann fast-acting ABC series or equivalent, see Safety Considerations section)

## QSTS015A0S10R0 Series: DC-DC Converter Power Module

45 to 65Vdc Input; 10Vdc, 15A, 150W Output

## Electrical Specifications (continued)

Parameter	Device	Symbol	Min	Typ	Max	Unit
Output Voltage Set-point ( $V_{IN}=48V_{dc}$ , $I_O=I_{O,max}$ , $T_A=25^\circ C$ )	10 Vo	$V_{O,set}$	9.85	10.00	10.15	$V_{dc}$ $V_{dc}$
Output Voltage (Over all operating input voltage, resistive load, and temperature conditions until end of life)	All	$V_O$	-3.0	—	+3.0	% $V_{O,set}$
Adjustment Range Selected by external resistor	10 Vo	$V_{O,adj}$	9.7		10.3	$V_{dc}$
Output Regulation Line ( $V_{IN}=V_{IN,min}$ to $V_{IN,max}$ ) Load ( $I_O=I_{O,min}$ to $I_{O,max}$ ) Temperature ( $T_{ref}=T_{A,min}$ to $T_{A,max}$ )	All All All		— — —	0.05 0.05 1.0	0.2 0.2 1.5	% $V_{O,set}$ % $V_{O,set}$ % $V_{O,set}$
Output Ripple and Noise on nominal output Measured with 10uF Tantalum  1uF ceramic ( $V_{IN}=48V_{dc}$ , $I_O=80\%I_{O,max}$ , $T_A=25^\circ C$ ) RMS (5Hz to 20MHz bandwidth) Peak-to-Peak (5Hz to 20MHz bandwidth)	10 Vo		— —	— —	75 160	$mV_{rms}$ $mV_{pk-pk}$
External Capacitance	10 Vo	$C_{O,max}$	0	—	5000	$\mu F$
Output Current	10 Vo	$I_O$	0	—	15.0	$A_{dc}$
Output Current Limit Inception (Hiccup Mode)	10 Vo	$I_{O,lim}$		19	—	$A_{dc}$
Output Short-Circuit Current $V_O \leq 250$ mV @ $25^\circ C$	All	$I_{O,s/c}$	—	1.2		$A_{rms}$
Efficiency, $V_{IN}=48V_{dc}$ , $T_A=25^\circ C$ , $I_O=I_{O,max}$	10.0Vo	$\eta$		92.5	—	%
Switching Frequency (Fixed)	All	$f_{sw}$	—	250	—	kHz
Dynamic Load Response ( $\Delta I_O/\Delta t=0.1A/\mu s$ , $V_{IN}=48V_{dc}$ , $T_A=25^\circ C$ , $C_O=0\mu F$ ) Load Change from $I_O=50\%$ to $75\%$ or $25\%$ to $50\%$ of $I_{O,max}$ Peak Deviation Settling Time ( $V_O<10\%$ peak deviation)	All All	$V_{pk}$ $t_s$	— —	3.0 800	— —	% $V_{O,set}$ $\mu s$

## Isolation Specifications

Parameter	Symbol	Min	Typ	Max	Unit
Isolation Capacitance	$C_{iso}$	—	1000	—	pF
Isolation Resistance	$R_{iso}$	10	—	—	M $\Omega$
I/O Isolation Voltage	All	—	—	2250	Vdc

## QSTS015A0S10R0 Series: DC-DC Converter Power Module

45 to 65Vdc Input; 10Vdc, 15A, 150W Output

## General Specifications

Parameter		Min	Typ	Max	Unit
Calculated Reliability based upon Telcordia SR-332 Issue 2: Method I Case 3 ( $I_O=80\%I_{O,max}$ , $T_A=40^\circ\text{C}$ , airflow = 200 lfm, 90% confidence)	FIT	128.8			$10^9$ /Hours
	MTBF	7,762,085			Hours
Weight (open frame)		—	43.1 (1.52)	—	g (oz.)
Weight (Heat Plate)		—	58 (2.05)	—	g (oz.)

## Feature Specifications

Unless otherwise indicated, specifications apply over all operating input voltage, resistive load, and temperature conditions. See Feature Descriptions for additional information.

Parameter	Device	Symbol	Min	Typ	Max	Unit
Remote On/Off Signal Interface ( $V_{IN}=V_{IN,min}$ to $V_{IN,max}$ ; open collector or equivalent, Signal referenced to $V_{IN}$ -terminal) Negative Logic: device code suffix "1" Logic Low = module On, Logic High = module Off Logic Low = module Off, Logic High = module On Logic Low - Remote On/Off Current ( $V_{on/off} = -0.7V_{dc}$ ) Logic Low - On/Off Voltage Logic High Voltage ( $I_{on/off} = 0A_{dc}$ ) Logic High maximum allowable leakage current	All	$I_{on/off}$	—	—	0.15	mA
	All	$V_{on/off}$	-0.7	—	0.6	$V_{dc}$
	All	$V_{on/off}$	2.5	—	6.7	$V_{dc}$
	All	$I_{on/off}$	—	—	20	$\mu\text{A}$
Turn-On Delay and Rise Times ( $I_O=80\%$ of $I_{O,max}$ , $T_A=25^\circ\text{C}$ ) Case 1: Input power is applied for at least 1second, and then the On/Off input is set from OFF to ON ( $T_{delay} = \text{on/off pin transition until } V_O = 10\% \text{ of } V_{O,set}$ ) Case 2: On/Off input is set to Module ON, and then input power is applied ( $T_{delay} = V_{IN}$ reaches $V_{IN,min}$ until $V_O = 10\% \text{ of } V_{O,set}$ ) Output voltage Rise time (time for $V_O$ to rise from 10% of $V_{O,set}$ to 90% of $V_{O,set}$ )	All	$T_{delay}$ Case1	—	35		ms
	All	$T_{delay}$ Case2	—	35		ms
	All	$T_{rise}$	—	20		ms
Output Voltage Overshoot ( $I_O=80\%$ of $I_{O,max}$ , $V_{IN}=48V_{dc}$ , $T_A=25^\circ\text{C}$ )					3	% $V_{O,set}$
Output Overvoltage Protection	10.0 $V_O$	$V_{O,limit}$	11.5	—	14	$V_{dc}$
Input Undervoltage Lockout Turn-on Threshold Turn-off Threshold Hysteresis	All	$V_{uv/on}$	—	44	45	$V_{dc}$
	All	$V_{uv/off}$	41	42		$V_{dc}$
	All	$V_{hyst}$	1.0	—		$V_{dc}$

# QSTS015A0S10R0 Series: DC-DC Converter Power Module

45 to 65Vdc Input; 10Vdc, 15A, 150W Output

## Characteristic Curves

The following figures provide typical characteristics for the QSTS015A0S10R0 (10V, 15A) at 25 °C.

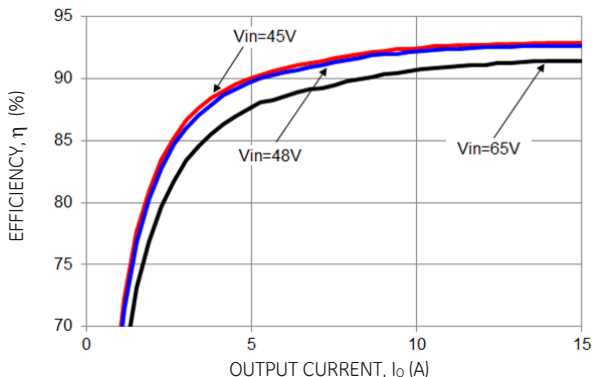


Figure 1. Converter Efficiency versus Output Current.

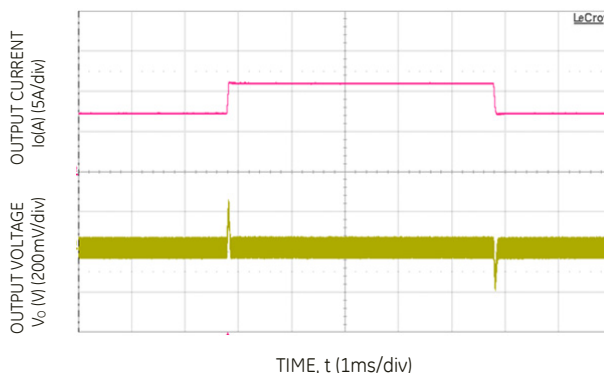


Figure 3. Transient Response to 0.1A/μs Dynamic Load Change from 50% to 75% to 50% of full load, Vin=48V.

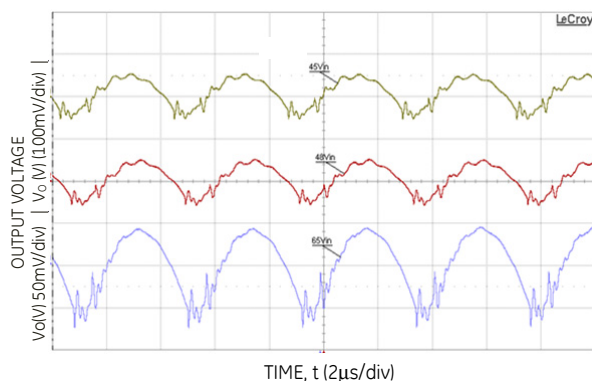


Figure 2. Typical output ripple and noise ( $I_o = I_{o,max}$ ).

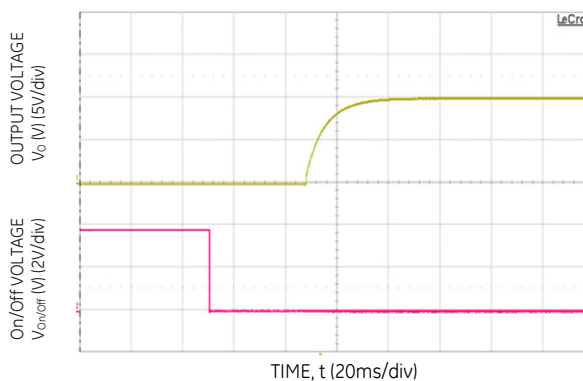


Figure 4. Typical Start-up Using Remote On/Off, negative logic version shown ( $V_{IN} = 48V, I_o = I_{o,max}$ ).

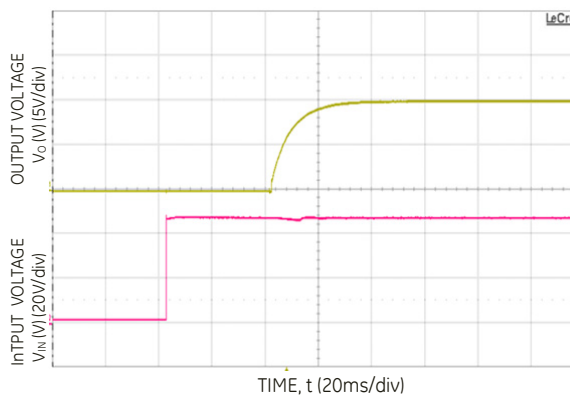
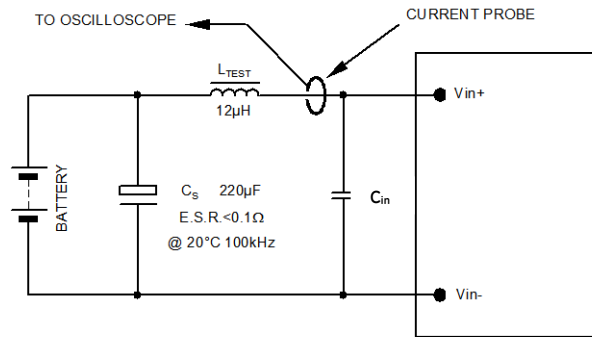


Figure 5. Typical Start-up Using Input Voltage ( $V_{IN} = 48V, I_o = I_{o,max}$ ).

# QSTS015A0S10R0 Series: DC-DC Converter Power Module

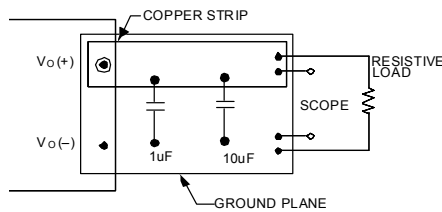
45 to 65Vdc Input; 10Vdc, 15A, 150W Output

## Test Configurations



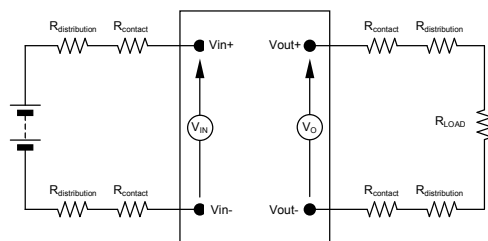
NOTE: Measure input reflected ripple current with a simulated source inductance ( $L_{TEST}$ ) of 12µH. Capacitor  $C_s$  offsets possible battery impedance. Measure current as shown above.

Figure 6. Input Reflected Ripple Current Test Setup.



NOTE: All voltage measurements to be taken at the module terminals, as shown above. If sockets are used then Kelvin connections are required at the module terminals to avoid measurement errors due to socket contact resistance.

Figure 7. Output Ripple and Noise Test Setup.



NOTE: All voltage measurements to be taken at the module terminals, as shown above. If sockets are used then Kelvin connections are required at the module terminals to avoid measurement errors due to socket contact resistance.

Figure 8. Output Voltage and Efficiency Test Setup.

$$\text{Efficiency } \eta = \frac{V_o \cdot I_o}{V_{IN} \cdot I_{IN}} \times 100 \%$$

## Design Considerations

### Input Source Impedance

The power module should be connected to a low ac-impedance source. Highly inductive source impedance can affect the stability of the power module. For the test configuration in Figure 7, a 220µF electrolytic capacitor  $C_{in}$  (ESR&ltltmath>< 0.7\Omega</math> at 100kHz), mounted close to the power module helps ensure the stability of the unit. Consult the factory for further application guidelines.

### Safety Considerations

For safety-agency approval of the system in which the power module is used, the power module must be installed in compliance with the spacing and separation requirements of the end-use safety agency standard, i.e., UL 60950-1-3, CSA C22.2 No. 60950-00, and VDE 0805 (IEC60950, 3rd Edition).

If the input source is non-SELV (ELV or a hazardous voltage greater than 60 Vdc and less than or equal to 65Vdc), for the module's output to be considered as meeting the requirements for safety extra-low voltage (SELV), all of the following must be true:

- The input source is to be provided with reinforced insulation from any other hazardous voltages, including the ac mains.
- One  $V_{IN}$  pin and one  $V_{OUT}$  pin are to be grounded, or both the input and output pins are to be kept floating.
- The input pins of the module are not operator accessible.
- Another SELV reliability test is conducted on the whole system (combination of supply source and subject module), as required by the safety agencies, to verify that under a single fault, hazardous voltages do not appear at the module's output.

**Note:** Do not ground either of the input pins of the module without grounding one of the output pins. This may allow a non-SELV voltage to appear between the output pins and ground.

The power module has extra-low voltage (ELV) outputs when all inputs are ELV.

For input voltages exceeding -60 Vdc but less than or equal to -75 Vdc, these converters have been evaluated to the applicable requirements of BASIC INSULATION between secondary DC MAINS DISTRIBUTION input (classified as TNV-2 in Europe) and unearthed SELV outputs.

The input to these units is to be provided with a fast-acting fuse with a maximum rating of 30A (voltage rating 250Vac) in the ungrounded input lead. (Bussmann ABC Series fast-acting or equivalent).

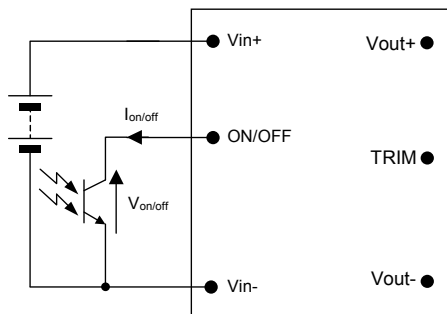
## QSTS015A0S10R0 Series: DC-DC Converter Power Module

45 to 65Vdc Input; 10Vdc, 15A, 150W Output

### Feature Description

#### Remote On/Off

Negative logic remote on/off, device code suffix "1", turns the module off during a logic high and on during a logic low.



**Figure 9. Circuit configuration for using Remote On/Off Implementation.**

To turn the power module on and off, the user must supply a switch (open collector or equivalent) to control the voltage ( $V_{on/off}$ ) between the ON/OFF terminal and the  $V_{IN(-)}$  terminal. Logic low is  $0V \leq V_{on/off} \leq 0.6V$ . The maximum  $I_{on/off}$  during a logic low is 0.15mA, the switch should maintain a logic low level whilst sinking this current.

During a logic high, the typical  $V_{on/off}$  generated by the module is 5V, and the maximum allowable leakage current at  $V_{on/off} = 5V$  is 1 $\mu$ A.

If not using the remote on/off feature:

For negative logic, short the ON/OFF pin to  $V_{IN(-)}$ .

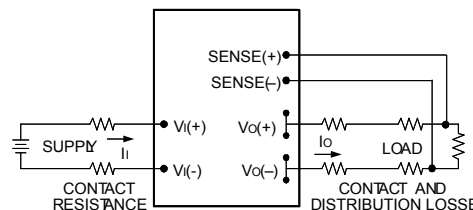
#### Remote Sense

Remote sense minimizes the effects of distribution losses by regulating the voltage at the remote-sense connections (See Figure 11). The voltage between the remote-sense pins and the output terminals must not exceed the output voltage sense range given in the Feature Specifications table:

$$[V_{O(+)} - V_{O(-)}] - [SENSE(+)-SENSE(-)] \leq 0.5 V$$

Although the output voltage can be increased by both the remote sense and by the trim, the maximum increase for the output voltage is not the sum of both. The maximum increase is the larger of either the remote sense or the trim.

The amount of power delivered by the module is defined as the voltage at the output terminals multiplied by the output current. When using remote sense and trim, the output voltage of the module can be increased, which at the same output current would increase the power output of the module. Care should be taken to ensure that the maximum output power of the module remains at or below the maximum rated power (Maximum rated power =  $V_{O,set} \times I_{O,max}$ ).



**Figure 10. Circuit Configuration for remote sense .**

#### Overcurrent Protection

To provide protection in a fault (output overload) condition, the unit is equipped with internal current-limiting circuitry and can endure current limiting continuously. At the point of current-limit inception, the unit enters hiccup mode. If the unit is not configured with auto-restart, then it will latch off following the over current condition. The module can be restarted by cycling the dc input power for at least one second or by toggling the remote on/off signal for at least one second. If the unit is configured with the auto-restart option (4), it will remain in the hiccup mode as long as the overcurrent condition exists; it operates normally, once the output current is brought back into its specified range. The average output current during hiccup is 10%  $I_{O,max}$ .

#### Overtemperature Protection

To provide protection under certain fault conditions, the unit is equipped with a thermal shutdown circuit. The unit will shutdown if the thermal reference point  $T_{ref}$  (Figure 13), exceeds 115°C (typical), but the thermal shutdown is not intended as a guarantee that the unit will survive temperatures beyond its rating. The module will automatically restart upon cool-down to a safe temperature.

#### Input Undervoltage Lockout

At input voltages below the input undervoltage lockout limit, the module operation is disabled. The module will only begin to operate once the input voltage is raised above the undervoltage lockout turn-on threshold,  $V_{UV/ON}$ .

Once operating, the module will continue to operate until the input voltage is taken below the undervoltage turn-off threshold,  $V_{UV/OFF}$ .

#### Output Over Voltage Protection

The output over voltage protection scheme of the modules has an independent over voltage loop to prevent single point of failure. This protection feature latches in the event of over voltage across the output. Cycling the on/off pin or input voltage resets the latching protection feature. If the auto-

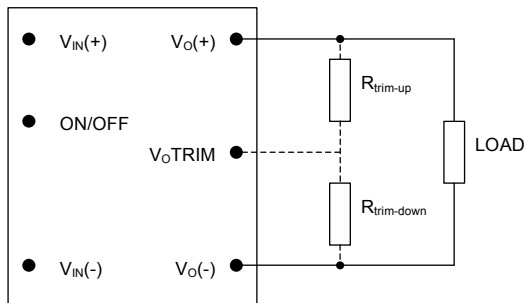
# QSTS015A0S10R0 Series: DC-DC Converter Power Module

45 to 65Vdc Input; 10Vdc, 15A, 150W Output

restart option (4) is ordered, the module will automatically restart upon an internally programmed time elapsing.

## Output Voltage Programming

Trimming allows the output voltage set point to be increased or decreased from the default value; this is accomplished by connecting an external resistor between the TRIM pin and either the Vo(+) pin or the Vo(-) pin.



**Figure 11. Circuit Configuration to Trim Output Voltage.**

Connecting an external resistor ( $R_{trim-down}$ ) between the TRIM pin and the Vo(-) (or Sense(-)) pin decreases the output voltage set point. To maintain set point accuracy, the trim resistor tolerance should be  $\pm 1.0\%$ .

The following equation determines the required external resistor value to obtain a percentage output voltage change of  $\Delta\%$

$$R_{trim-down} = \left[ \frac{511}{\Delta\%} - 10.22 \right] K\Omega$$

Where  $\Delta\% = \left( \frac{10.0V - V_{desired}}{10.0V} \right) \times 100$

Connecting an external resistor ( $R_{trim-up}$ ) between the TRIM pin and the Vo(+) (or Sense (+)) pin increases the output voltage set point. The following equation determines the required external resistor value to obtain a percentage output voltage change of  $\Delta\%$ :

$$R_{trim-up} = \left[ \frac{5.11 \times 10.0 \times (100 + \Delta\%)}{1.225 \times \Delta\%} - \frac{511}{\Delta\%} - 10.22 \right] K\Omega$$

Where  $\Delta\% = \left( \frac{V_{desired} - 10.0}{10.0} \right) \times 100$

The voltage between the Vo(+) and Vo(-) terminals must not exceed the minimum output overvoltage protection value shown in the Feature Specifications table. This limit includes any increase in voltage due to remote-sense compensation and output voltage set-point adjustment trim.

Although the output voltage can be increased by both the remote sense and by the trim, the maximum increase for the output voltage is not the sum of both. The maximum increase is the larger of either the remote sense or the trim. The amount of power delivered by the module is defined as the voltage at the output terminals multiplied by the output current. When using remote sense and trim, the output voltage of the module can be increased, which at the same output current would increase the power output of the module. Care should be taken to ensure that the maximum output power of the module

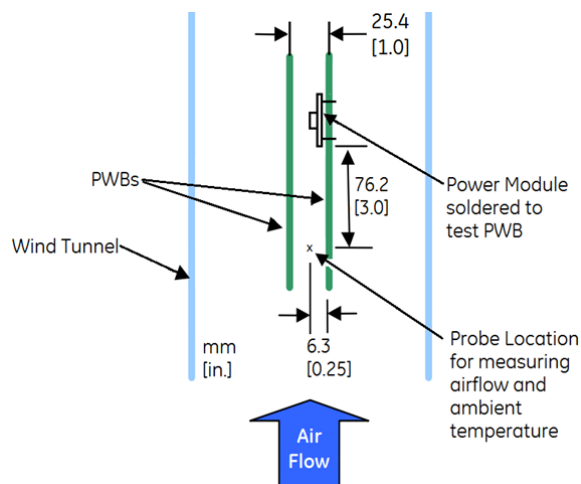
remains at or below the maximum rated power (Maximum rated power =  $V_{O,set} \times I_{O,max}$ ).

## Thermal Considerations

The power modules operate in a variety of thermal environments; however, sufficient cooling should be provided to help ensure reliable operation.

Considerations include ambient temperature, airflow, module power dissipation, and the need for increased reliability. A reduction in the operating temperature of the module will result in an increase in reliability.

The thermal data presented here is based on physical measurements taken in a wind tunnel, using automated thermo-couple instrumentation to monitor key component temperatures: FETs, diodes, control ICs, magnetic cores, ceramic capacitors, opto-isolators, and module pwb conductors, while controlling the ambient airflow rate and temperature. For a given airflow and ambient temperature, the module output power is increased, until one (or more) of the components reaches its maximum derated operating temperature, as defined in IPC-9592. This procedure is then repeated for a different airflow or ambient temperature until a family of module output derating curves is obtained.

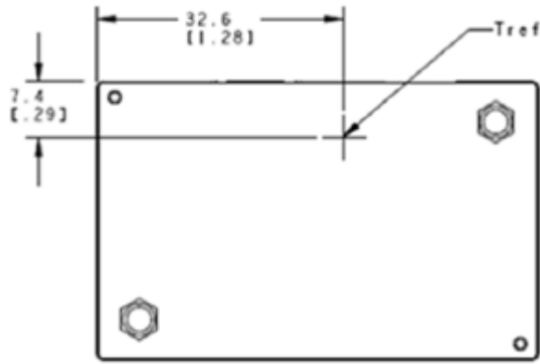


The thermal reference point,  $T_{ref}$  used in the specifications is shown in Figure 12. For reliable operation these temperatures should not exceed 105 °C



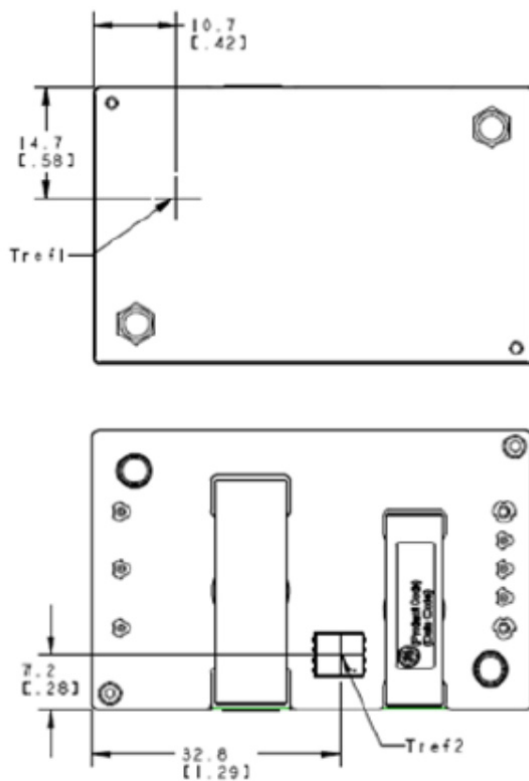
# QSTS015A0S10R0 Series: DC-DC Converter Power Module

45 to 65Vdc Input; 10Vdc, 15A, 150W Output



**Figure 12.  $T_{ref}$  Temperature Measurement Location for heat plate version.**

The thermal reference points,  $T_{ref1}$ , and  $T_{ref2}$  used in the specifications is shown in Figure 13. For reliable operation these temperatures should not exceed 100 °C & 125 °C respectively.



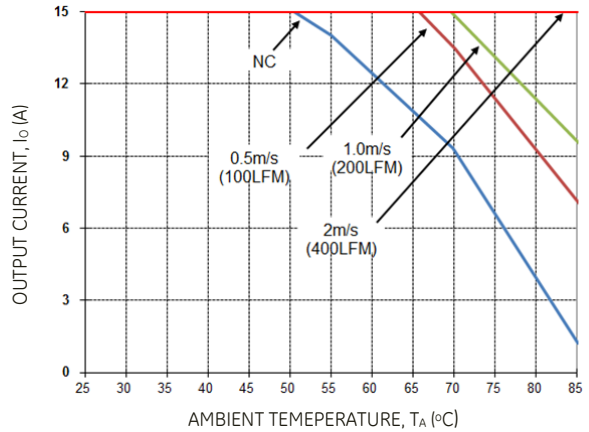
**Figure 13.  $T_{ref}$  Temperature Measurement Location for coldwall applications version.**

## Heat Transfer via Convection

Increased airflow over the module enhances the heat transfer via convection. Derating figure showing the maximum output current that can be delivered by each module versus local

ambient temperature ( $T_A$ ) for natural convection and up to 3m/s (600 ft./min) is shown in Figure 14.

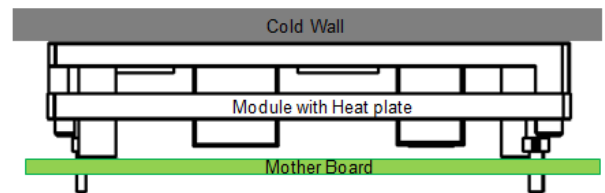
Please refer to the Application Note “Thermal Characterization Process For Open-Frame Board-Mounted Power Modules” for a detailed discussion of thermal aspects including maximum device temperatures.



**Figure 14. Output Current Derating for the Module with Heatplate; Airflow in the Transverse Direction from  $V_{out(+)}$  to  $V_{out(-)}$ ;  $V_{IN}=48V$ ,  $V_O=10V$**

## Heat Transfer via Conduction

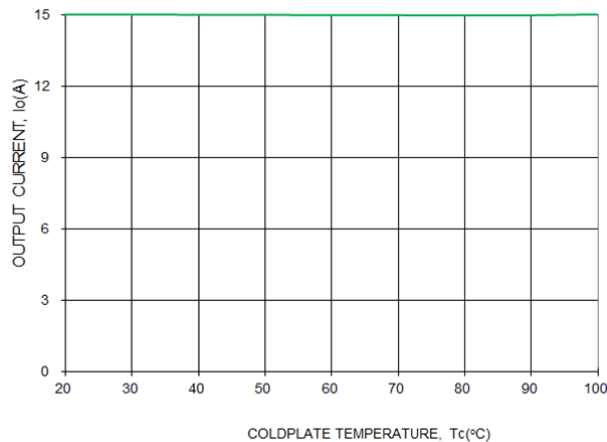
The module can also be used in a sealed environment with cooling via conduction from the module’s top surface through a heat plate to a cold wall, as shown in Figure 15. The output current derating versus cold wall temperature, when using thermal pad/grease is shown in Figure 16.



**Figure 15. Cold Wall Mounting**

# QSTS015A0S10R0 Series: DC-DC Converter Power Module

45 to 65Vdc Input; 10Vdc, 15A, 150W Output



**Figure 16. Derated Output Current versus Cold Wall Temperature with local ambient temperature around module at 60C; V<sub>IN</sub> = 48V.**

## Through-Hole Soldering Information

### Lead-Free Soldering

The RoHS-compliant (Z codes) through-hole products use the SAC (Sn/Ag/Cu) Pb-free solder and RoHS-compliant components. They are designed to be processed through single or dual wave soldering machines or reflow soldering processes. The pins have an RoHS-compliant finish that is compatible with both Pb and Pb-free wave soldering processes. A maximum preheat rate of 3°C/s is suggested. The wave preheat process should be such that the temperature of the power module board is kept below 210°C. For Pb solder, the recommended pot temperature is 260°C, while the Pb-free solder pot is 270°C max. If additional information is needed, please consult with your GE Energy representative for more details.

### Paste-in-Hole Soldering

The QSTS015A0S10R0xx and the QSTS015A0S10R0 xx-HZ module is compatible with reflow paste-in-hole soldering processes shown in Figures 18-19. Please contact your GE Sales Representative for further information.

### MSL Rating

The QSTS015A0S10R0 series modules have a MSL rating of 2a.

### Tin Lead Soldering

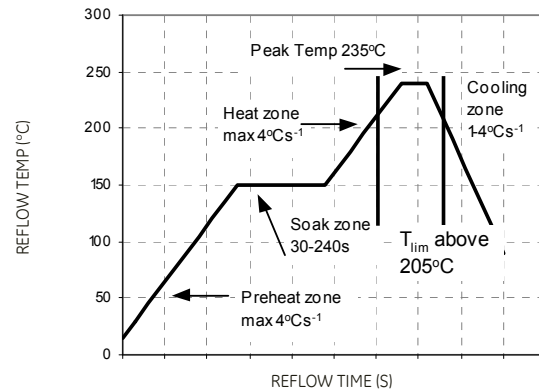
The QSTS015A0S10R0 power modules are lead free modules and can be soldered either in a lead-free solder process or in a conventional Tin/Lead (Sn/Pb) process. It is recommended that the customer review data sheets in order to customize the solder reflow profile for each application board assembly. The following instructions must be observed when soldering these units. Failure to observe these instructions may result in the failure of or cause damage to the modules, and can adversely affect long-term reliability.

In a conventional Tin/Lead (Sn/Pb) solder process peak reflow temperatures are limited to less than 235°C. Typically, the eutectic solder melts at 183°C, wets the land, and subsequently wicks the device connection. Sufficient time must be allowed to fuse the plating on the connection to ensure a reliable solder joint. There are several types of SMT reflow technologies

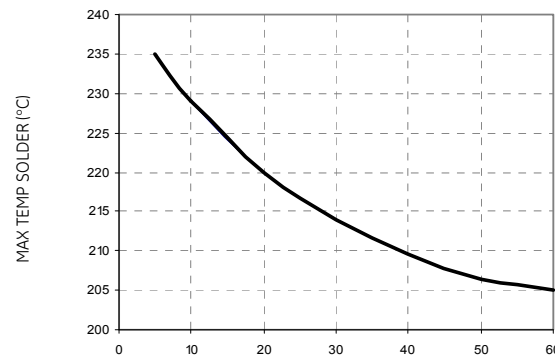
currently used in the industry. These surface mount power modules can be reliably soldered using natural forced convection, IR (radiant infrared), or a combination of convection/IR. For reliable soldering the solder reflow profile should be established by accurately measuring the modules CP connector temperatures.

### Lead Free Soldering

The -Z version of the QSTS015A0S10R0 modules are lead-free (Pb-free) and RoHS compliant and are both forward and backward compatible in a Pb-free and a SnPb soldering process. Failure to observe the instructions below may result in the failure of or cause damage to the modules and can adversely affect long-term reliability.



**Figure 17. Reflow Profile for Tin/Lead (Sn/Pb) process.**



**Figure 18. Time Limit Curve Above 205°C for Tin/Lead (Sn/Pb) process**

### Post Solder Cleaning and Drying Considerations

Post solder cleaning is usually the final circuit-board assembly process prior to electrical board testing. The result of inadequate cleaning and drying can affect both the reliability of a power module and the testability of the finished circuit-board assembly. For guidance on appropriate soldering, cleaning and drying procedures, refer to GE *Board Mounted Power Modules: Soldering and Cleaning Application Note* (AN04-001).

### Layout Considerations

The QSTS015A0S10R0 power module series are low profile in order to be used in fine pitch system card architectures. As such, component clearance between the bottom of the power module and the mounting board is limited. Avoid placing

## QSTS015A0S10R0 Series: DC-DC Converter Power Module

### 45 to 65Vdc Input; 10Vdc, 15A, 150W Output

copper areas on the outer layer directly underneath the power module. Also avoid placing via interconnects underneath the power module.

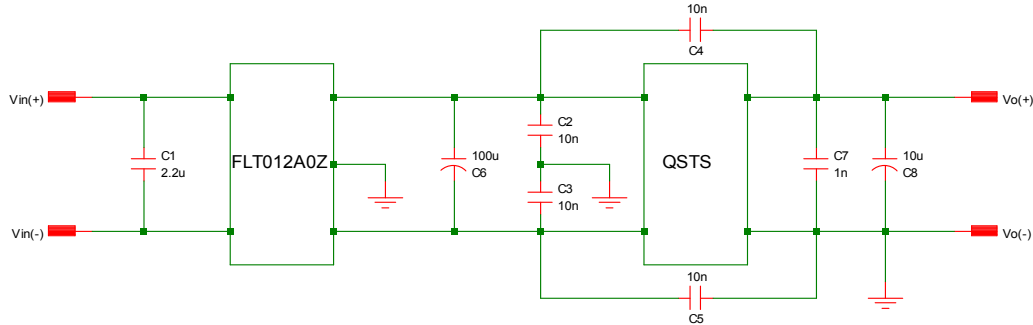
For additional layout guide-lines, refer to the FLT012A0 data sheet.

# QSTS015A0S10R0 Series: DC-DC Converter Power Module

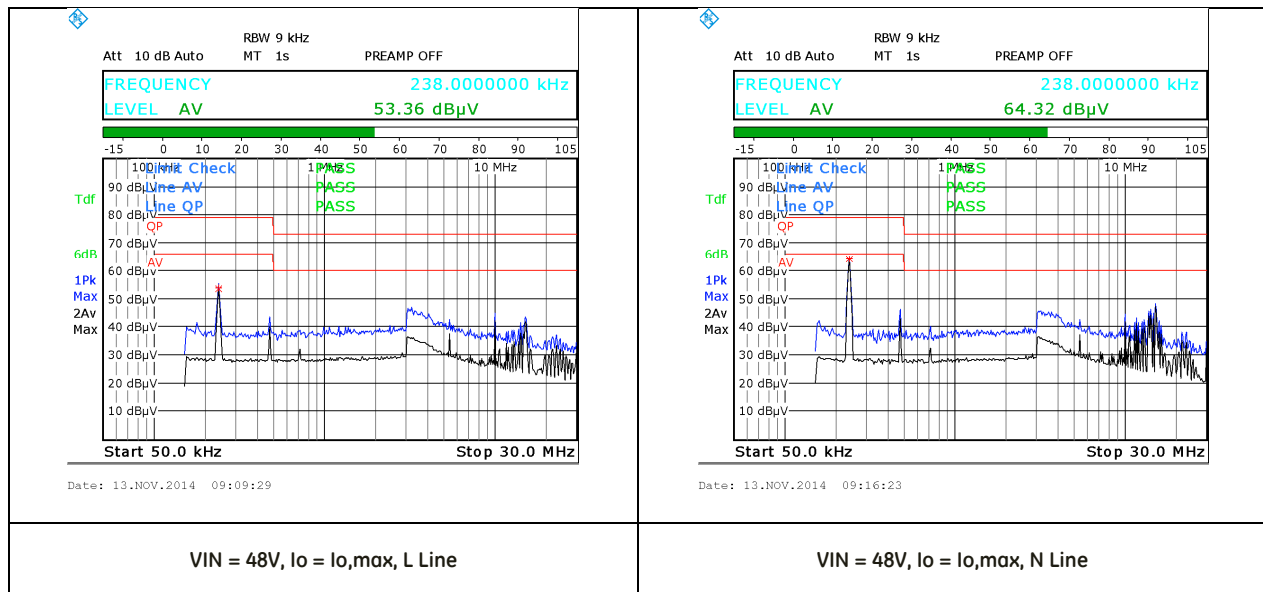
45 to 65Vdc Input; 10Vdc, 15A, 150W Output

## EMC Requirements

Figure 20 shows a maximum filter configuration to meet the conducted emission limits of EN55022 Class A.  
 Notes: C1 is a low impedance 100V SMT ceramics. C4 and C5 are low impedance >1500V ceramics.



**Figure 19. Suggested Configuration for EN55022 Class A.**  
 For further information on designing for EMC compliance, please refer to the FLT012A0Z data sheet



# QSTS015A0S10R0 Series: DC-DC Converter Power Module

45 to 65Vdc Input; 10Vdc, 15A, 150W Output

## EMC Requirements

Figure 20 shows a maximum filter configuration to meet the conducted emission limits of EN55022 Class B.

Notes: C1, C9, C10 is a low impedance 100V SMT ceramics. C4 and C5 are low impedance >1500V ceramics.

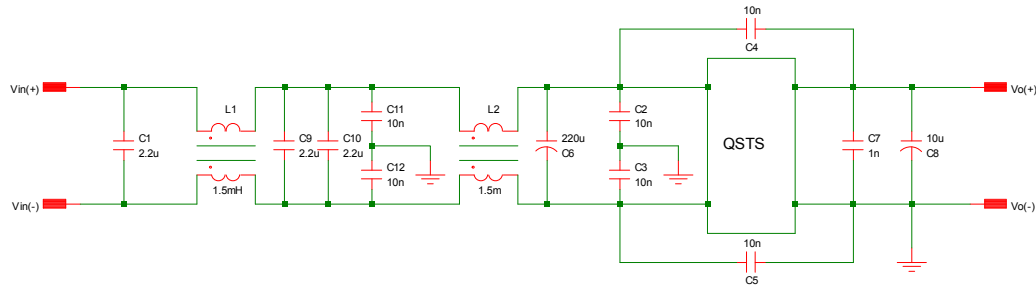
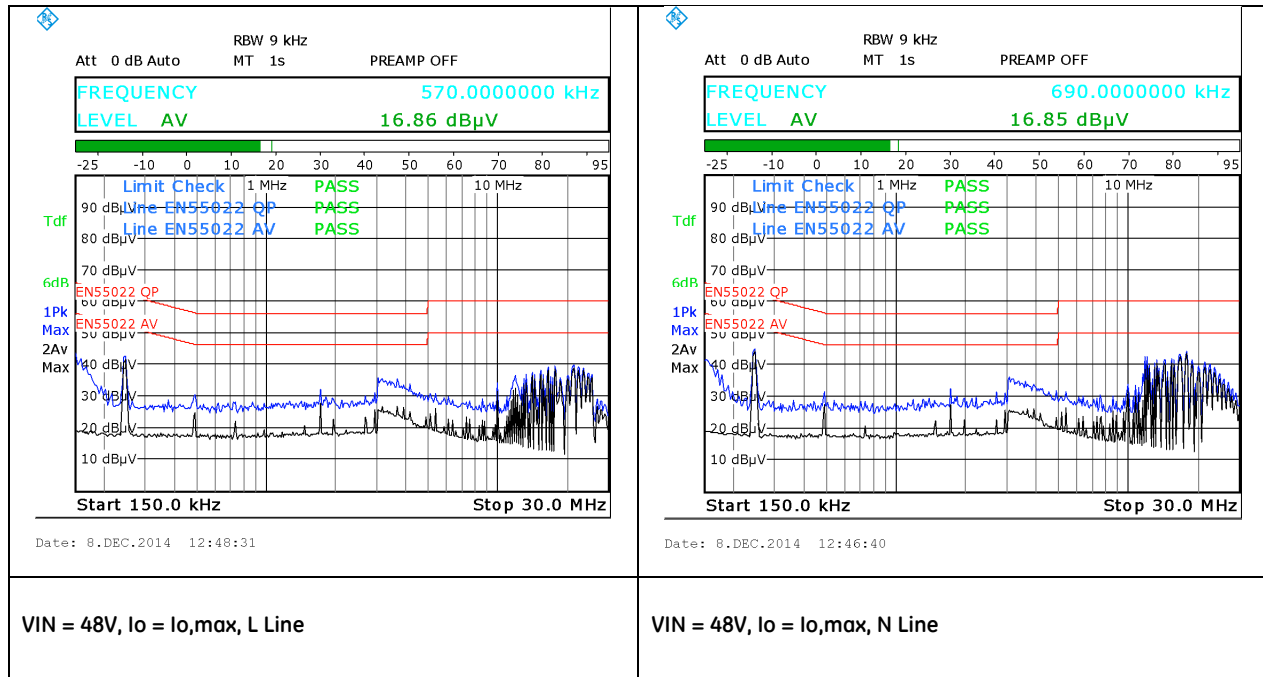


Figure 20. Suggested Configuration for EN55022 Class B.



# QSTS015A0S10R0 Series: DC-DC Converter Power Module

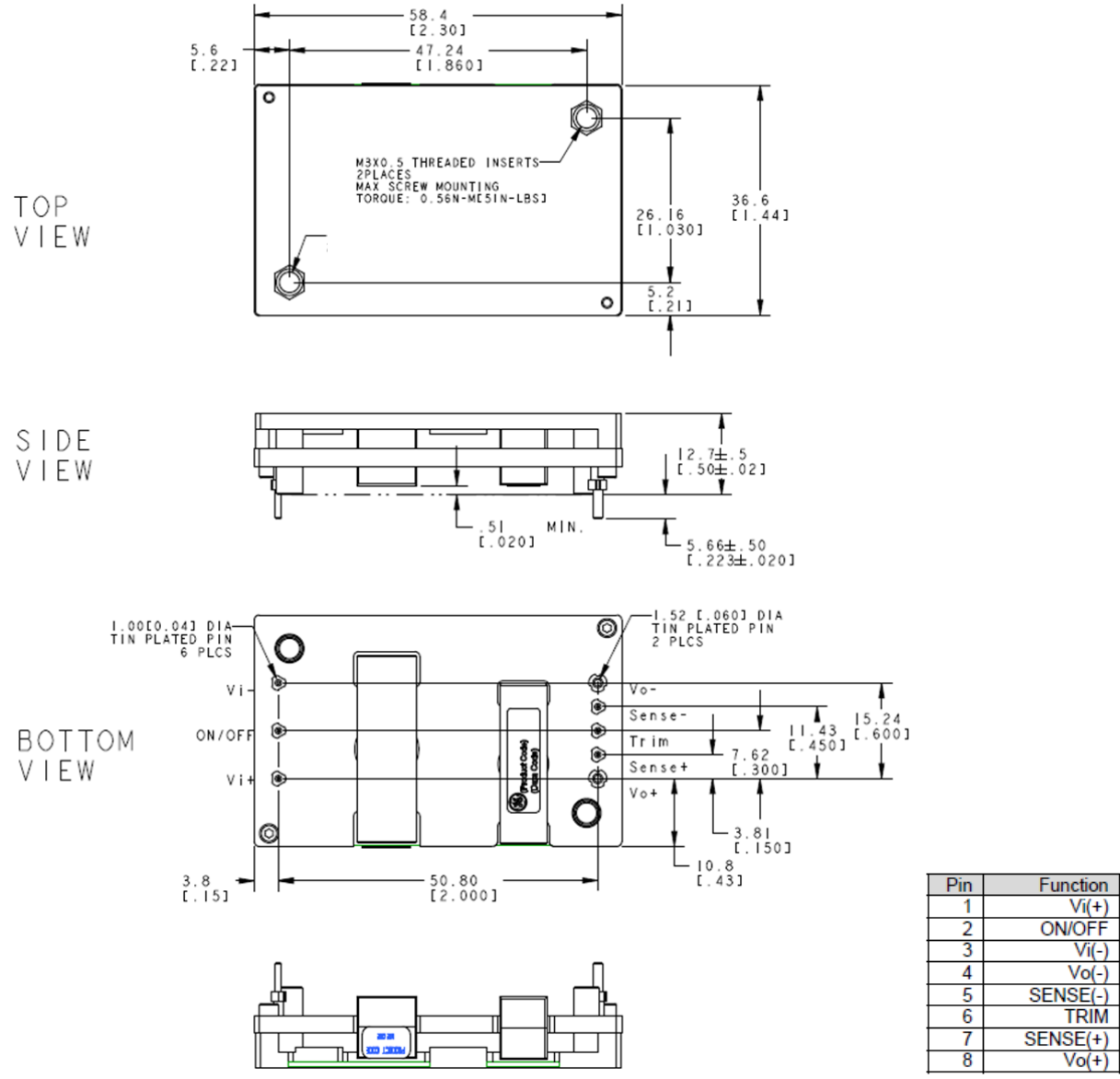
45 to 65Vdc Input; 10Vdc, 15A, 150W Output

## Mechanical Outline for Through Hole Module with heat plate (-H Option)

Dimensions are in millimeters and (inches).

Tolerances: x.x mm ± 0.5 mm (x.xx in. ± 0.02 in.) [Unless otherwise indicated]

x.xx mm ± 0.25 mm (x.xxx in ± 0.010 in.)



# QSTS015A0S10R0 Series: DC-DC Converter Power Module

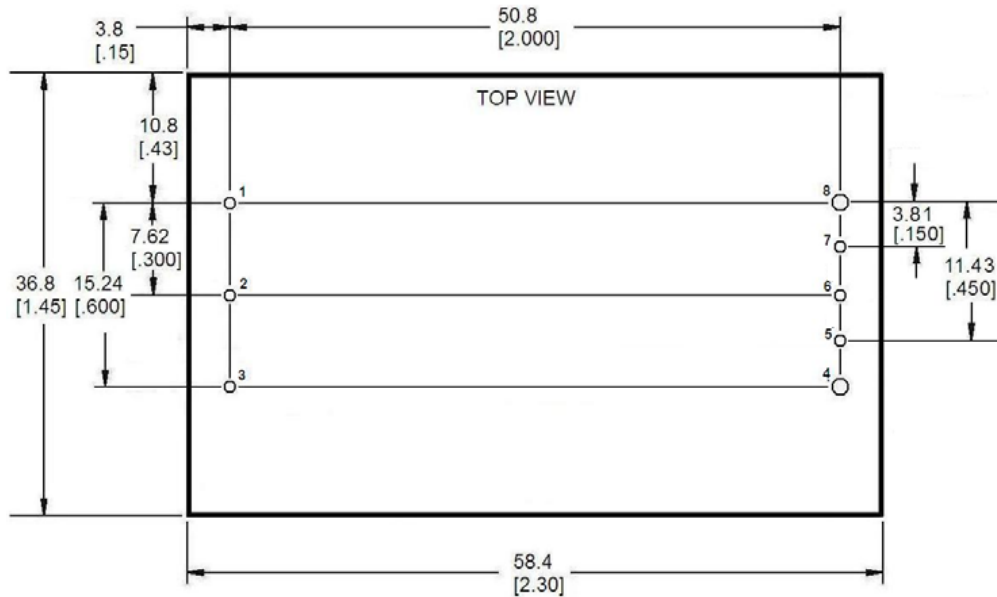
45 to 65Vdc Input; 10Vdc, 15A, 150W Output

## Recommended Pad Layout for Through Hole Module

Dimensions are in millimeters and (inches).

Tolerances: x.x mm ± 0.5 mm (x.xx in. ± 0.02 in.) [Unless otherwise indicated]

x.xx mm ± 0.25 mm (x.xxx in ± 0.010 in.)



Pin Number	Pin Name
1	VIN(+)
2	ON/OFF
3	VIN(-)
4	VOUT(-)
5	SENSE(-)
6	TRIM
7	SENSE(+)
8	VOUT(+)

Hole and Pad diameter recommendations

Pin Number	Hole Dia (mm)	Pad Dia (mm)
1-3, 5-7	1.6	2.1
4, 8	2.2	3.2

# QSTS015A0S10R0 Series: DC-DC Converter Power Module

45 to 65Vdc Input; 10Vdc, 15A, 150W Output

## Packaging Details

The heatplate versions of the QSTS015A0S10R0 (suffix -H) are supplied as standard in the plastic trays shown in Figure 22.

Each tray contains a total of 12 power modules. The trays are self-stacking and each shipping box the QSTS015A0S10R0 (suffix -H) through hole module will contain 2 full trays plus one empty hold down tray giving a total number of 24 power

## Tray Specification

Material	PET(1mm)
Max surface resistivity	$10^9$ - $10^{11}\Omega$ /sq
Color	Clear
Capacity	12 power modules
Min order quantity	24 pcs (1 box of 2 full trays + 1 empty top tray)

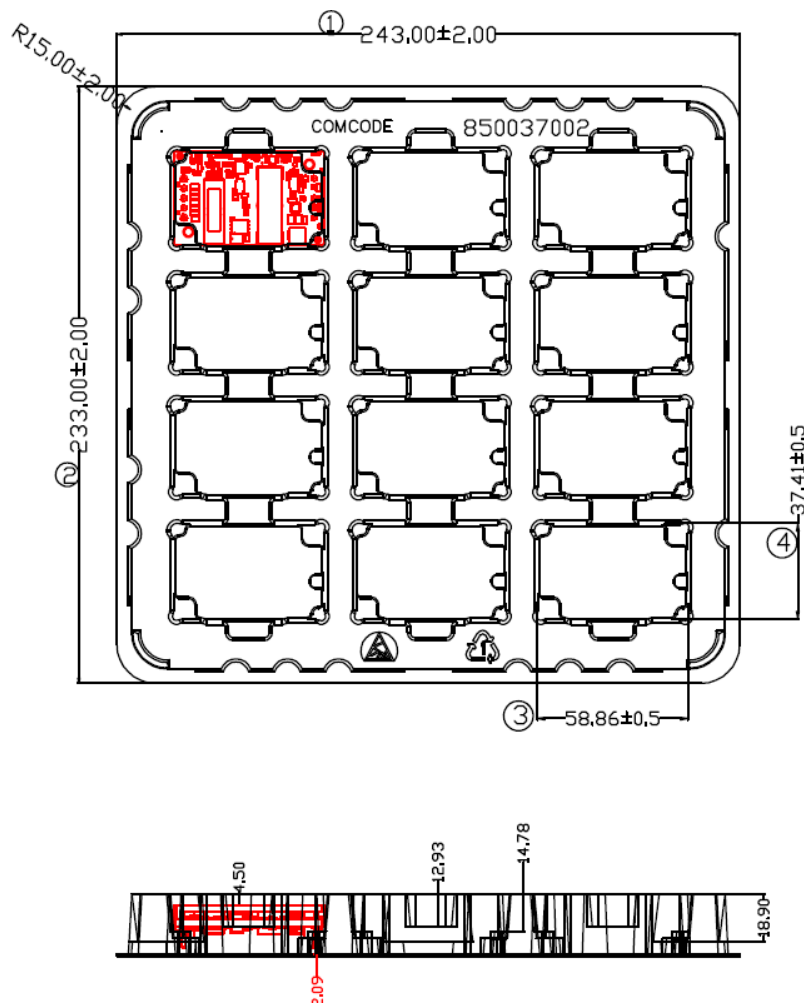


Figure 22. Heat Plate version Packaging Tray



## QSTS015A0S10R0 Series: DC-DC Converter Power Module

45 to 65Vdc Input; 10Vdc, 15A, 150W Output

### Ordering Information

Please contact your GE Energy Sales Representative for pricing, availability and optional features.

**Table 1. Device Codes**

Product codes	Input Voltage	Output Current	Output Voltage	Remote On/Off Logic	Connector Type	Comcodes
QSTS015A0S10R0841-17HZ	48V (45-65Vdc)	15.0A	10.0V	Negative	Through hole	150043271

**Table 2. Device Options**

	Characteristic	Character and Position	Definition
Ratings	Form Factor	Q	Q = 1 /4th Brick
	Family Designator	ST	ST = Low Power Barracuda™ Series
	Input Voltage	S	S = Special Range, 45V-65V
	Output Current	015A0	015A0 = 015.0 Amps Maximum Output Current
	Output Voltage	S10R0	S10R0=10.0V Nominal
Mechanical Features	Pin Length	8	8 = Pin Length: 2.79 mm ± 0.25mm , (0.110 in. ± 0.010 in.)
	Action following Protective Shutdown	4	4 = Auto-restart following shutdown (Overcurrent/Overvoltage) Must be ordered
	On/Off Logic	1	Omit = Positive Logic 1 = Negative Logic
	Customer Specific	17	17 = Customer Specific Modified Code, Teradyne
	Mechanical Features	H	H = 1/4th Brick size heat plate, for use with heat sinks (not available with -S option)
	RoHS		Omit = RoHS 5/6, Lead Based Solder Used Z Z = RoHS 6/6 Compliant, Lead free

## Contact Us

For more information, call us at

USA/Canada:

**+1 888 546 3243**, or +1 972 244 9288

Asia-Pacific:

+86.021.54279977\*808

Europe, Middle-East and Africa:

+49.89.878067-280

[www.gecriticalpower.com](http://www.gecriticalpower.com)



GE Critical Power reserves the right to make changes to the product(s) or information contained herein without notice, and no liability is assumed as a result of their use or application. No rights under any patent accompany the sale of any such product(s) or information.