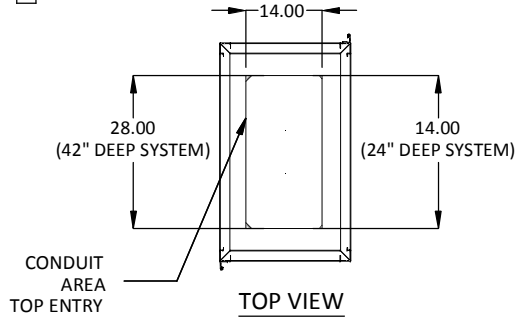
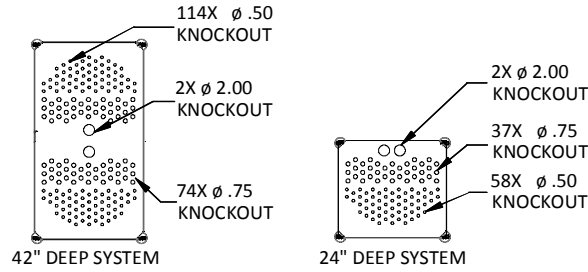


MECHANICAL CONFIGURATION

- 42" DEEP SYSTEM
- 24" DEEP SYSTEM

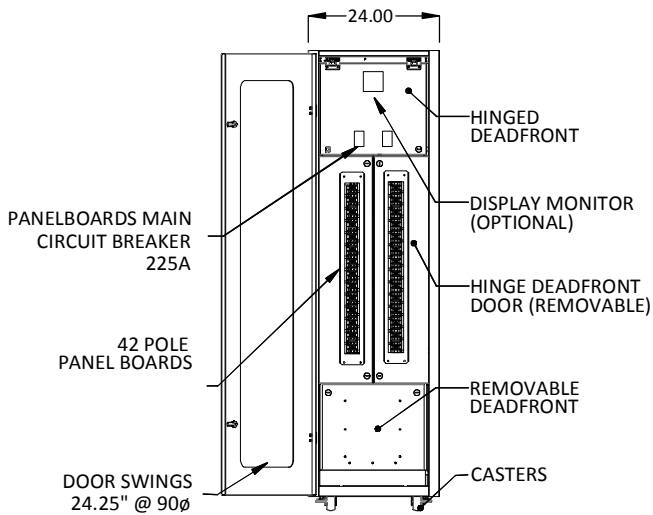


TOP VIEW

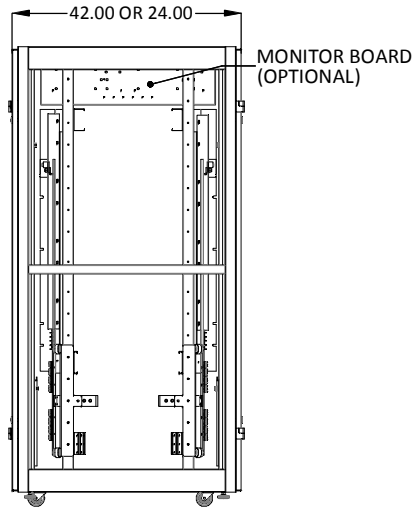


BOTTOM CONDUIT PLATE DETAIL "A"

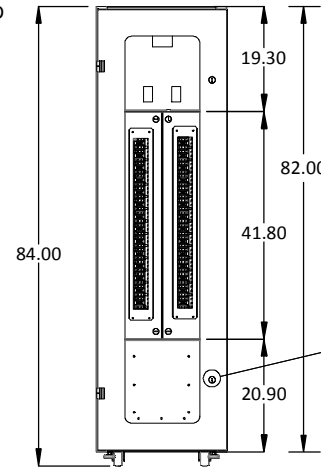
REVISIONS				
REV	SHT	DESCRIPTION	DATE	APPR
A00		SUBMITTAL RELEASE	9/24/12	JS
A01	BO	TOM DIMENSION UPDATED	1/22/13	JS



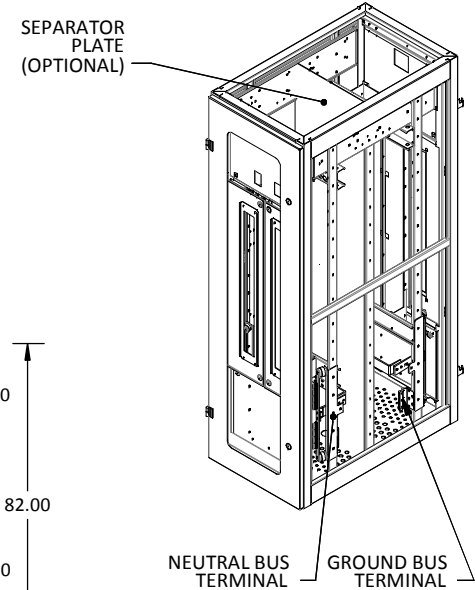
FRONT VIEW



RIGHT SIDE VIEW



REAR VIEW

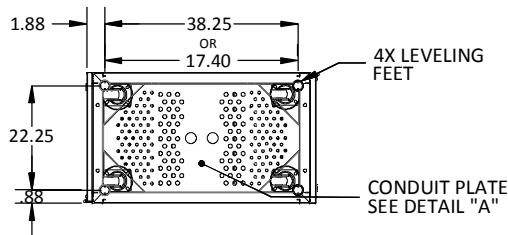


ISOMETRIC VIEW

SEE SHEET 3 FOR DETAILS "B", "C" AND "D"

DETAIL OF QUARTER TURN ACCESS HARDWARE

- NOTES:**
- 1.1 ENCLOSURE COLOR: BLACK.
 - 1.2 24" DEEP SYSTEM FOR TWO (2) PANELBOARDS STANDARD. OPTIONAL IN 42" DEEP SYSTEM.
 - 1.3 42" DEEP SYSTEM FOR FOUR (4) PANELBOARDS.
 - 1.4 FOR TWO (2) PANEL SYSTEM, PBS LOCATED ONLY IN FRONT.
 - 1.5 ALL ACCESS HARDWARE IS QUARTER TURN CAPTIVE WITH SLOT HEAD.
 - 1.6 SIMILAR CONDUIT LANDING AVAILABLE FOR TOP ACCESS (OPTIONAL).
 - 1.7 CRITICAL DIMENSIONS ARE SHOWN. DETAIL MAY VARY.
 - 1.8 APPROXIMATE WEIGHT: TWO PANELBOARDS: 400 LBS. FOUR PANELBOARDS: 650 LBS.



BOTTOM VIEW

THIS DRAWING CONTAINS CONFIDENTIAL & PROPRIETARY INFORMATION AND SHALL NOT BE DISCLOSED OR COPIED WITHOUT THE EXPRESSED, WRITTEN PERMISSION OF GENERAL ELECTRIC CO.		 GE Critical Power	
DO NOT SCALE DRAWING		GE ZENITH SERIES RDU-SC SERVER CABINET DESIGN	
APPROVALS	DATE	SIZE	DWG. NO.
DRAWN JS	9/24/12	B	92-10500-00
DESIGNED C.A.R.	9/24/12	REV	A01
CHECKED IK	9/24/12	SCALE: NONE	PART NO.
ENG. APPR. IK	9/24/12		
MFG. APPR. -	00-00-11		