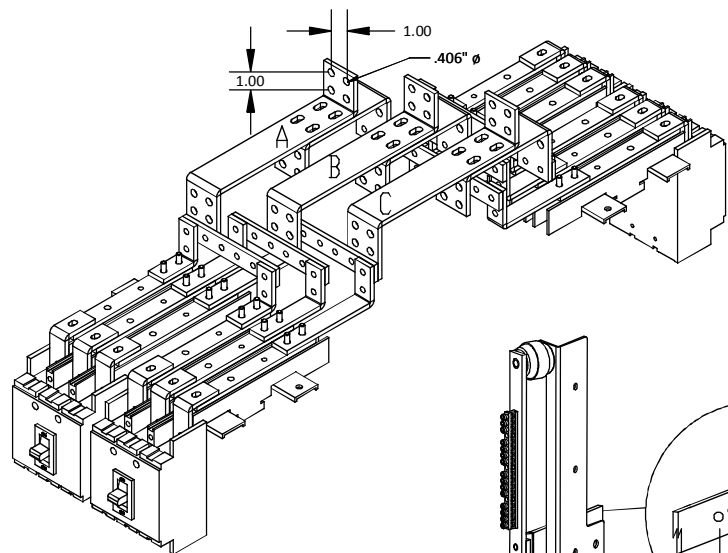
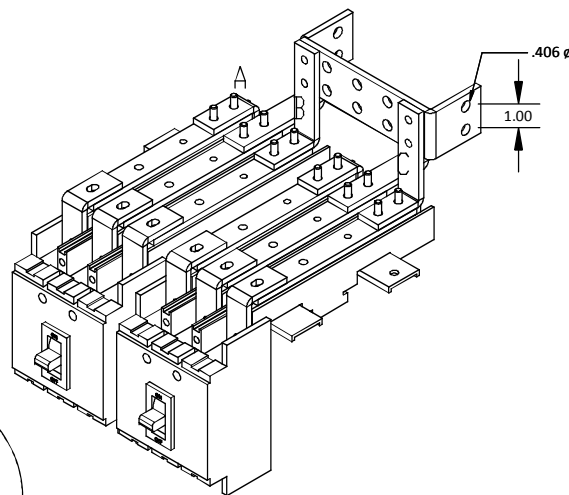


GE ZENITH SERIES RDU-SC INPUT BUSBAR CONFIGURATIONS

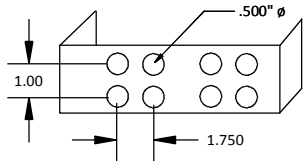
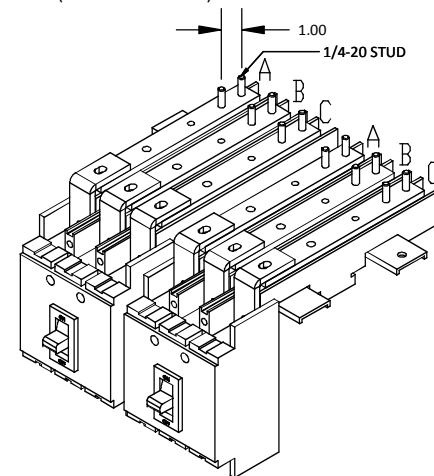
SYSTEM "E"
SINGLE INPUT
Four panelboards 168 poles
225-450A Max. Input



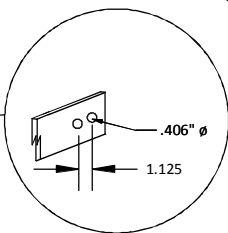
SYSTEM "A" OR SYSTEM "C" (PER SIDE)
SINGLE INPUT
Two panelboards 168 poles
450A Max. Input per feed
(ONE SIDE SHOWN)



SYSTEM "B" OR SYSTEM "D" (PER SIDE)
DUAL INPUT
Two panelboards 168 poles
225A Max. Input per feed
(ONE SIDE SHOWN)

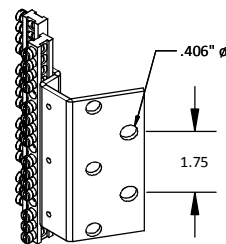


**450A NEUTRAL BUS
INTERCONNECTING
DETAIL "D"**



**DETAIL OF NEUTRAL
CUSTOMER CONNECTION**

**NEUTRAL BUS
46 X 6-14 AWG TERMINALS
PER PANELBOARD
DETAIL "B"**



**GROUND BUS
46 X 6-14 AWG TERMINALS
PER PANELBOARD
DETAIL "C"
ISOLATED GROUND OPTIONAL**

ELECTRICAL SPECIFICATIONS	
INPUT VOLTAGE:	208VAC 4W + G (60 HZ)
INPUT VOLTAGE:	225A (INDIVIDUAL PANELBOARDS FEEDS) 225A - 450A (SHARED PANELBOARDS FEEDS)
HEAT REJECTION:	TWO PANELBOARDS: 1,500 BTU/h FOUR PANELBOARDS: 3,000 BTU/h

SUGGESTED CABLE SIZING	
INPUT PHASE CONDUCTORS:	225A 1 x 4/0 AWG
INPUT NEUTRAL CONDUCTORS: 100% NEUTRAL	225A 1 x 4/0 AWG 450A 2 x 4/0 AWG
INPUT NEUTRAL CONDUCTORS: 200% NEUTRAL	225A 2 x 4/0 AWG 450A 4 x 4/0 AWG
GROUND CONDUCTOR:	225A 1 x 4 AWG 450A 1 x 3 AWG

NOTES: 3.1 SINGLE INPUT SYSTEMS HAVE INTERCONNECTING NEUTRAL AND GROUND BUSES AND MAY REQUIRE ONE NEUTRAL CONNECTION AND ONE GROUND CONNECTION PER SYSTEM.

3.2 CONSULT LOCAL AND NATIONAL CODES FOR PROPER CABLE SIZING, THE CABLE SIZING TABLE IS ONLY SUGGESTED AND MAY NOT APPLY FOR ALL JURISDICTIONS.

SIZE B	DWG. NO. 92-10500-00	REV A01
SCALE: NONE	PART NO.	