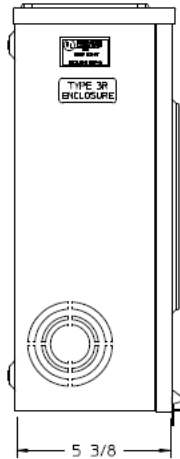
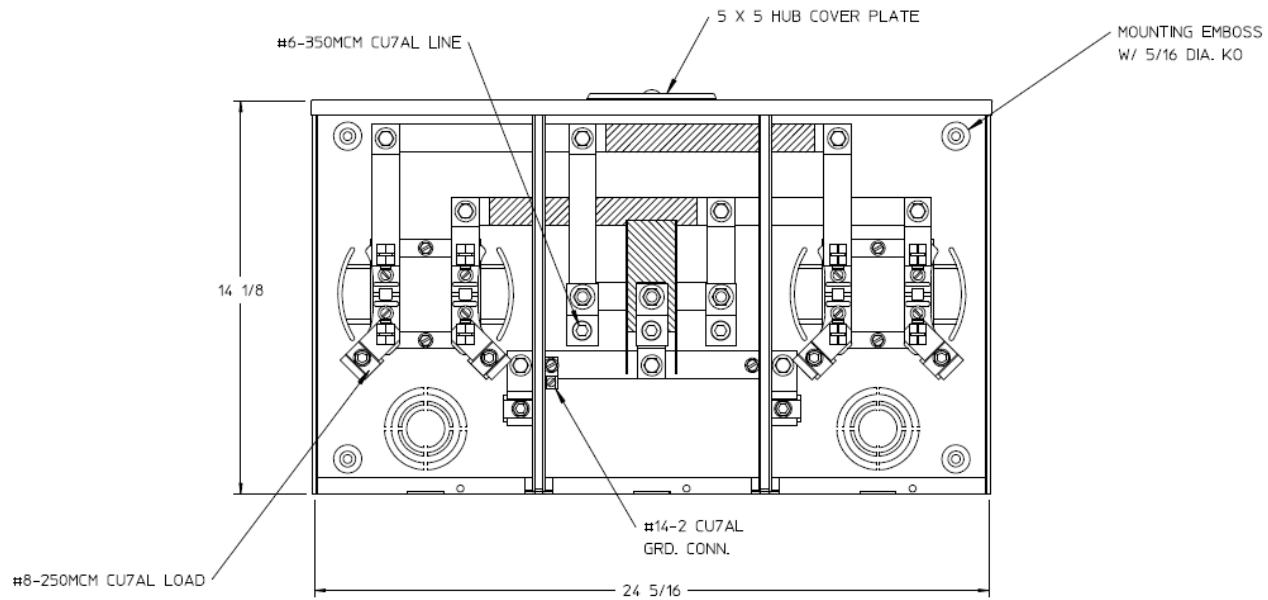


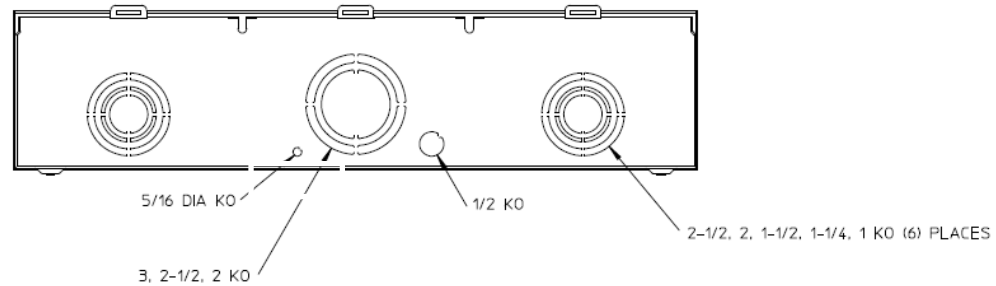
Left Side View



Front View Interior



Bottom View



Notes

- 1) FINISH: GRAY
- 2) CABINET: 16 GA GALV. STEEL
- 3) 200 AMP CONTINUOUS PER POSITION
600 VAC. 1-PHASE, 3-WIRE
250 AMP CONTINUOUS (TOTAL) UNIT RATING
- 4) GE LABEL ATTACHED TO THE
END OF THE CARTON
- 5) TEMPORARY CARDBOARD METER OPENING
COVER PROVIDED
- 6) GE SAFETY LABEL LOCATED IN THE LOWER
LEFT-HAND CORNER OF THE FRONT



imagination at work

HORIZ GANGED METER SKTS-(2) 200A 600V 1P3W G90 N3R 4-TERM LARGE HUB COVER PLT CENTER FEED TRIPLEX GRD

CAT NO	DWG DATE	REV #
UT2R2332UGE	12/12/2016	01