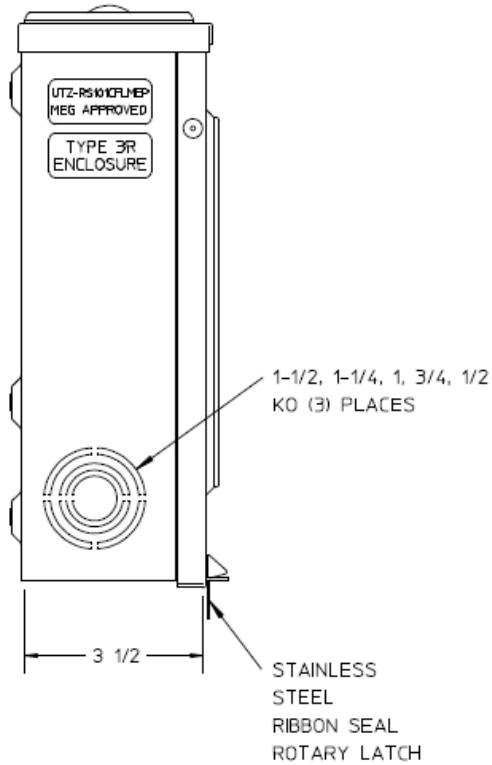
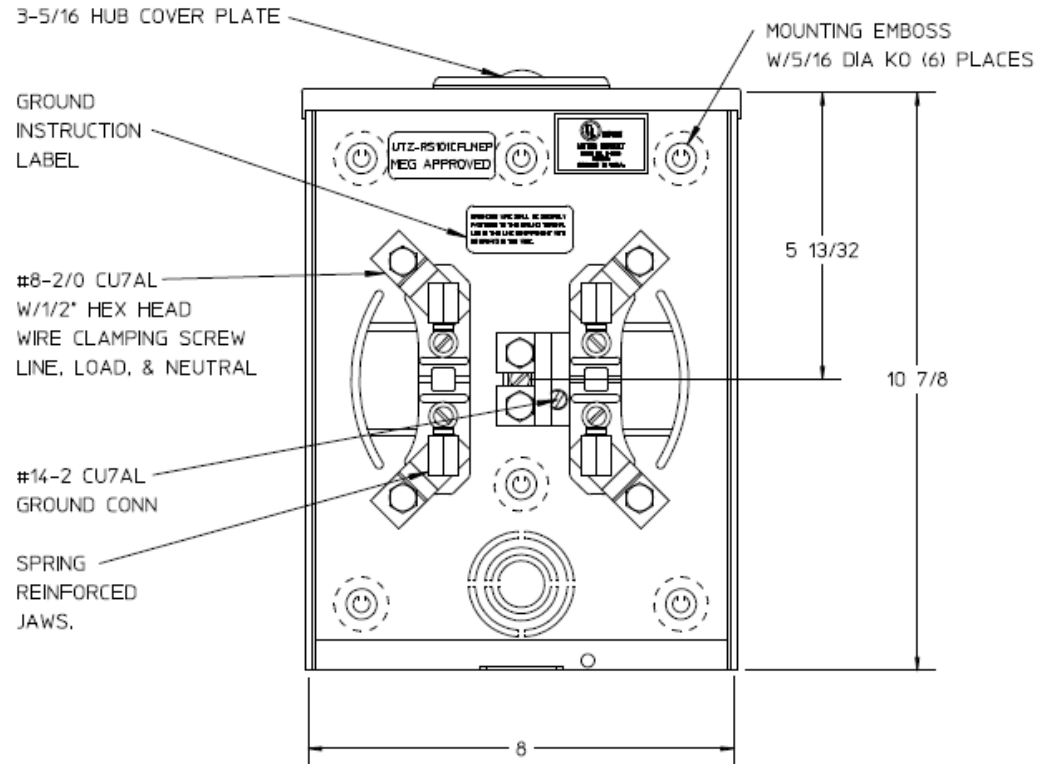


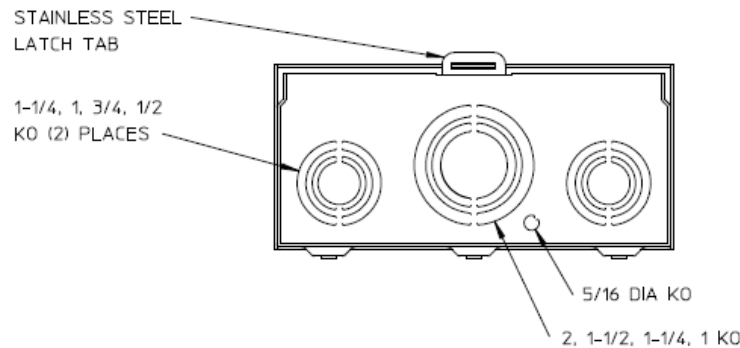
### Left Side View



### Front View Interior



### Bottom View



### Notes

- 1) FINISH: GRAY
- 2) CABINET: 16 GA GALV. STEEL
- 3) 125 AMP CONTINUOUS,  
600 VAC, 1 PHASE, 3 WIRE
- 4) MIDWEST LABEL ATTACHED  
TO THE END OF CARTON.
- 5) TEMPORARY CARDBOARD METER OPENING  
COVER PROVIDED.
- 6) MIDWEST LOGO STAMPED ON LOWER  
LEFT-HAND CORNER OF FRONT



METER SKT-(1) 125A 600V 1P3W G90 N3R 4-TERM SMALL HUB  
COVER PLATE TOP/BOT FEED TPLX GRD MEG APPROVED

CAT NO	DWG DATE	REV #
UTZRS101CFLMEP	06/17/2016	01